

REED MANUFACTURING

1425 West 8th Street, PO Box 1321 • Erie, PA USA 16512-1321 • Phone: +1-814-452-3691 or 800-666-3691 • reedsales@reedmfgco.com • www.reedmfgco.com

REED Double Squeeze™ PE Squeeze Tool

PES2IPSDB #04332 – PES2CTSDB #04333

PES2DBM #04334

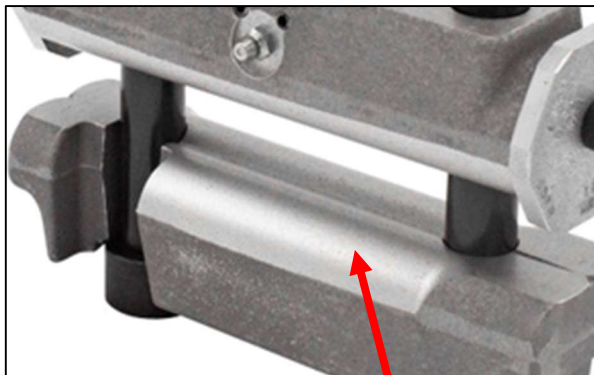
Tool Features:

- High Strength Power Screw
- IPS, CTS, and Metric Models
- Double Bar Configuration
- Strong, Rectangular Bar Geometry
- Swing-out Bottom Bar
- Ergonomic Bottom Bar Grooves (Eases in Lifting)
- Sliding Power Screw Handle
- Two-position Assist Handle
- Lightweight Aluminum Construction
- Grease Fittings at Friction Points

Tool Specifications:	
Tool Weight	11.2 lbs 5.1 kg
Pipe Capacity	½ - 2 in #04332 & #04333 20 - 63 mm #04334
Tool Dimensions (w/o helper handle)	11.5 x 3 x 13.6 inches 29.2 x 7.6 x 34.5 cm



Fig. 1 Close-up of double bar



Double bar design improves the quality of flow control