



PIPE TOOLS & VISES
SINCE 1896

Double Squeeze™ PE Squeeze Tool

Applies to: 04336, 04337

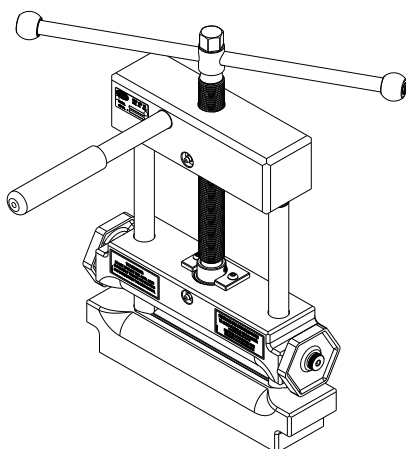
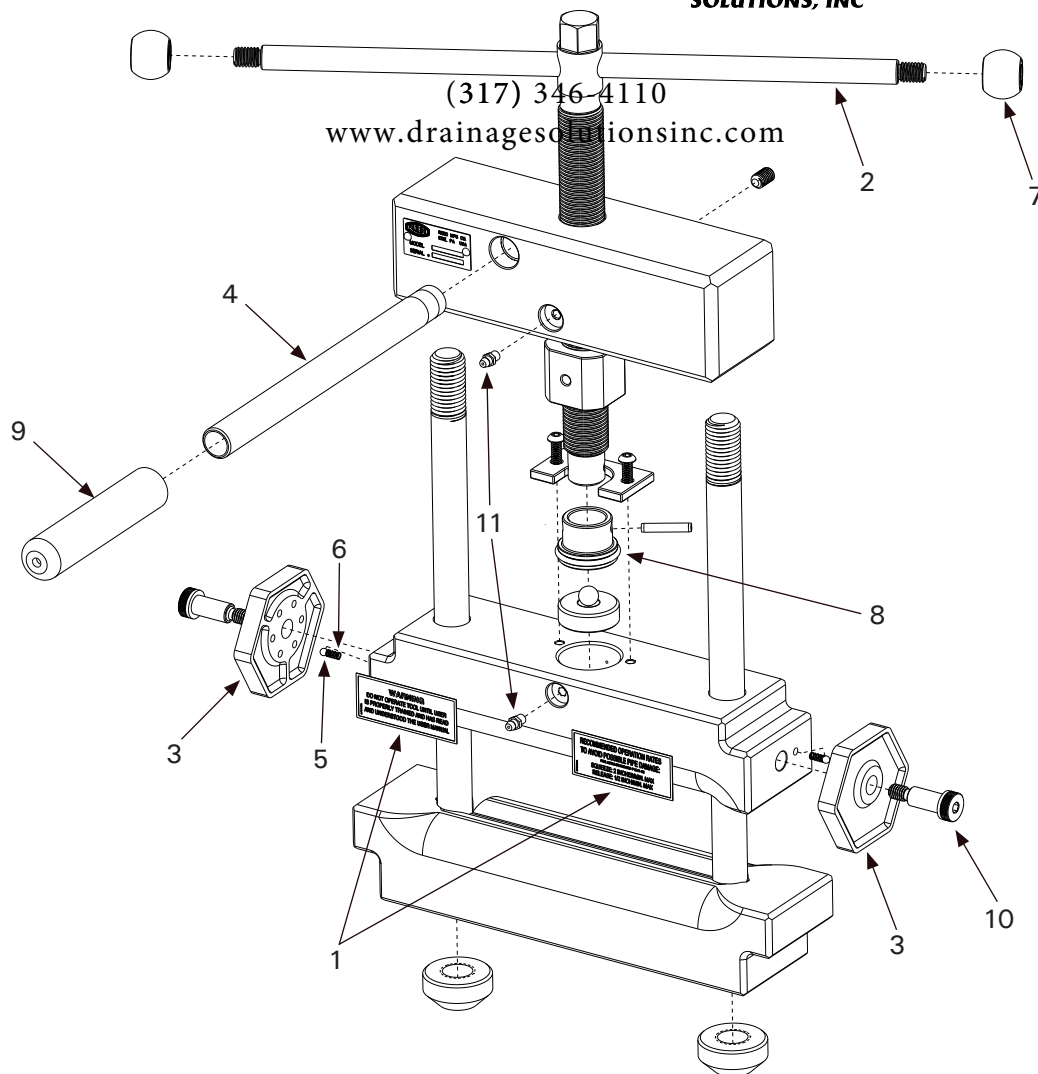
Replacement Parts



DRAINAGE
SOLUTIONS, INC

(317) 346-4110

www.drainagesolutionsinc.com



Parts List

Ref. No.	Description	Item Code	Qty. Used
1	PES Sticker A + B	54289	1 Set
2	Screw Handle	98295	1
3	a. Standard Stops - Imperial b. Standard Stops - Metric	98094 98121	2 2
4	Leverage Handle	98045	1
5	Steel Ball	93447	2
6	Spring	93440	2
7	Knob	91297	2
8	O-Ring	40301	1
9	Leverage Handle Grip	40070	1
10	Shoulder Screw	38314	2
11	Grease Fitting	40338	2

Reed Manufacturing
1425 West 8th Street
Erie, PA 16502 USA

QUALITY
& Service
that Last a Lifetime

Phone: 800-666-3691 or +1 814-452-3691
reedsales@reedmfgco.com
www.reedmfgco.com

RP-0223-145