



(317) 346-4110

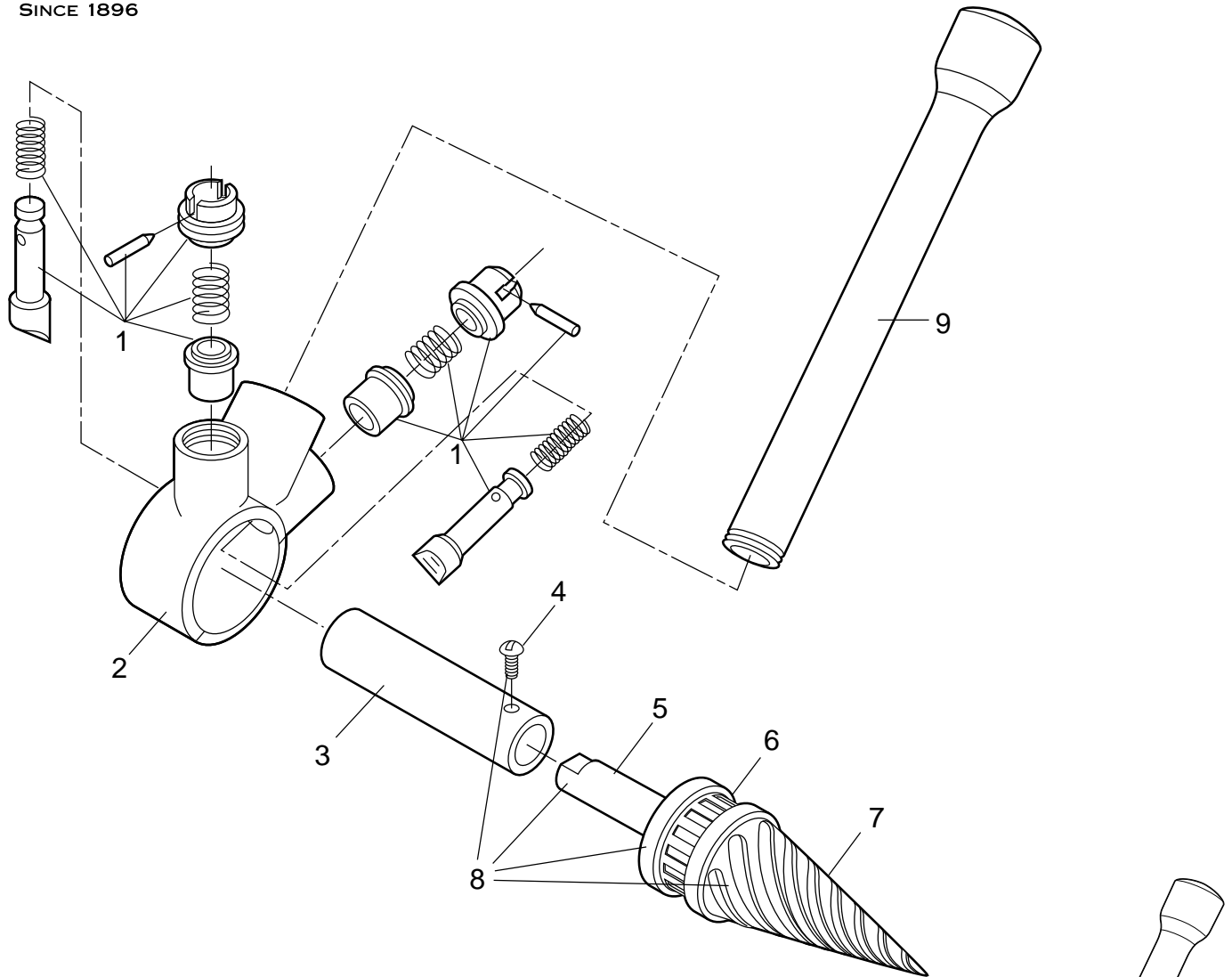
DRAINAGE SOLUTIONS, INC www.drainagesolutionsinc.com



PIPE TOOLS & VISES
SINCE 1896

2-71 Pipe Reamer

Replacement Parts



Parts List

Ref. No.	Description	Item Code	Cat. Number	Qty. Used
1	Pawl Assembly	96189	2-71RP	1
2	Ratchet Ring	95064	2-71R	1
3	Reamer Handle	96039	2-71UH	1
4	Machine Screw	30047	2-71MS	1
5	Reamer Stud	96017	2-71RUS	1
6	Reamer Head	96040	2-71RUH	1
7	Reamer Cone	96660	2-71RC	1
8	Reamer Unit Complete	96662	2-71RUC	1
9	Handle	97218	S81H	1

