



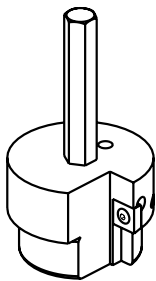
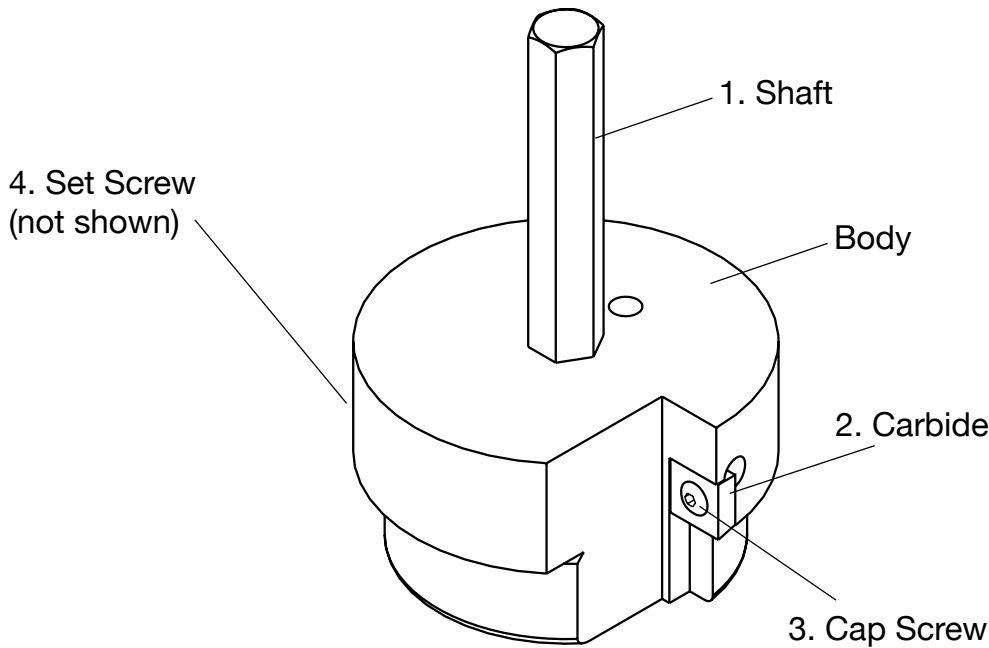
PIPE TOOLS & VISES
SINCE 1896

Clean Ream Extreme® Plastic Pipe Fitting Reamers

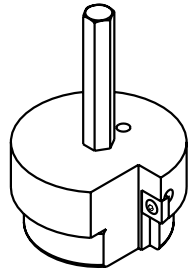
Replacement Parts

PPR75, PPR100, PPR125, PPR150, PPR200, PPR250, PPR300, PPR400

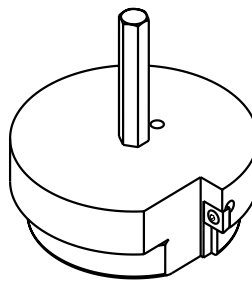
Applies to: 04520, 04521,
04522, 04523, 04524,
04525, 04526, 04527,
04528, 04529, 04532



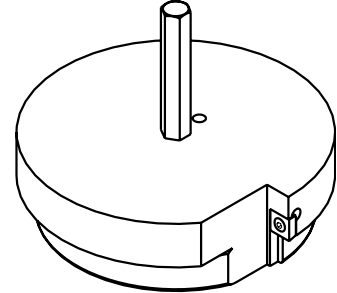
1 1/2"



2"



3"



4"

WARNING: 3" and 4" fitting borers create a large reaction torque that can cause injury to operator. Use caution when using these tools. A standard 1/2", right angle drill is recommended.

Note: Carbide insert has four cutting edges. Change cutting edge by removing the cap screw and rotating the carbide 180° then reinsert cap screw and tighten.

Parts List

Ref. No.	Description	3/4" - 1"		Qty.
		Item Code	Item Code	
1	SHAFT	44525	44524	1
2	CARBIDE	24523	24524	1
3a	8-32 CAP SCREW	—	24525	1
3b	4-40 CAP SCREW	24522	—	1
4	1/4" - 20 SET SCREW	30087	30087	1

Reed Manufacturing
1425 West 8th Street
Erie, PA 16502 USA



DRAINAGE
SOLUTIONS, INC

(817) 346-4110

www.drainagesolutionsinc.com

Phone: 800-666-3691 or +1-814-452-3691
reedsales@reedmfgco.com
www.reedmfgco.com

RP-0921-103
See Also: 54521