



PIPE TOOLS & VISES
SINCE 1896

Roll Groovers (RG26S & discontinued RG26CU)

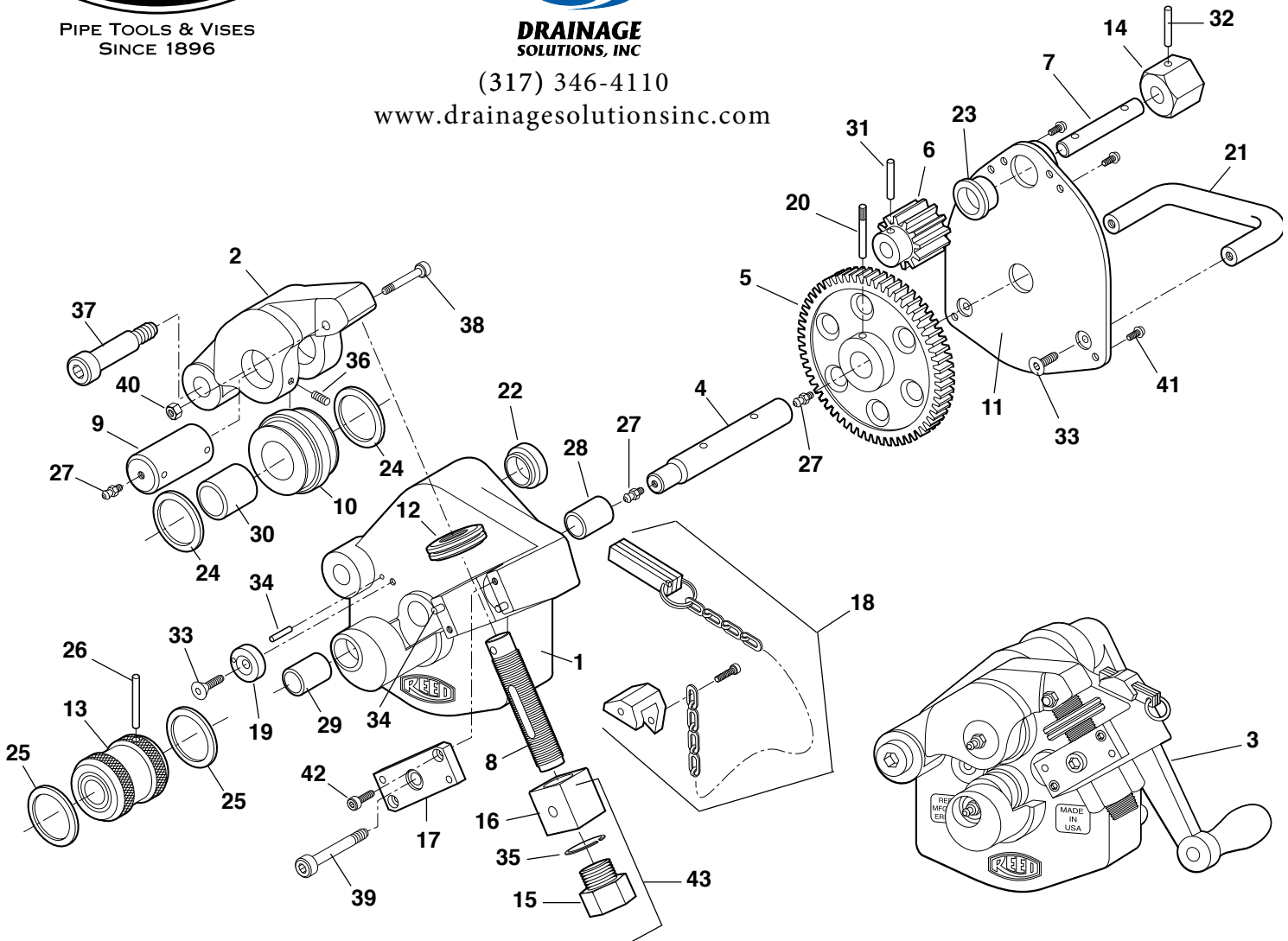


DRAINAGE
SOLUTIONS, INC

(317) 346-4110

www.drainagesolutionsinc.com

Replacement Parts



Parts List

Ref. No.	Description	RG26S	RG26CU	Ref. No.	Description	RG26S	RG26CU
		#08510	#08512			#08510	#08512
1	Main Body	98520	98565	22	Bronze Bushing	40461	40461
2	Yoke	98521	98521	23	Bronze Bushing	40473	40473
3	Crank Assembly	98522	98522	24	Washer Large	40462	40462
4	Drive Shaft	98523	98523	25	Washer Small	40463	40463
5	Drive Shaft Gear	98524	98524	26	Groove Pin	98570	98570
6	Crank Shaft Gear	98525	98525	27	Grease Fitting	40338	40338
7	Crank Shaft	98526	98526	28	Roller Bearing	40459	40459
8	Feed Screw	98527	98527	29	Roller Bearing	40460	40460
9	Groove Roll Shaft	98528	98528	30	Needle Roller Bearing	40458	40458
10	Groove Roll	98529	98550	31	Roll Pin	30232	30232
11	Cover Plate Assembly	98542	98542	32	Roll Pin	30233	30233
12	Jam Nut	98531	98531	33	Flat Head Socket Screw	30216	30216
13	Drive Roll	98532	98551	34	Dowel Pin	30218	30218
14	Crank Nut	98534	98534	35	Retaining Ring	30219	30219
15	Feed Nut	98535	98535	36	Socket Set Screw	30224	30224
16	Trunnion	98536	98536	37	Shoulder Screw	30228	30228
17	Trunnion Plate	98537	98537	38	Shoulder Screw	30229	30229
18	Depth Gauge Set	98549	98566	39	Shoulder Screw	30227	30227
19	Thrust Button	98538	98538	40	Lock Nut	30231	30231
20	Knurled Pin	98539	98539	41	Hex Machine Screw	30225	30225
21	Handle	98540	98540	42	Socket Head Cap Screw	30230	30230
				43	Trunnion/Feed Nut Assembly	98568	98568

Reed Manufacturing Company
1425 West 8th Street
Erie, PA 16502 USA



Phone: 800-666-3691 or 814-452-3691
Fax: 800-456-1697 or 814-455-1697
www.reedmfgco.com

RP-0917-44