



**DRAINAGE  
SOLUTIONS, INC**

(317) 346-4110

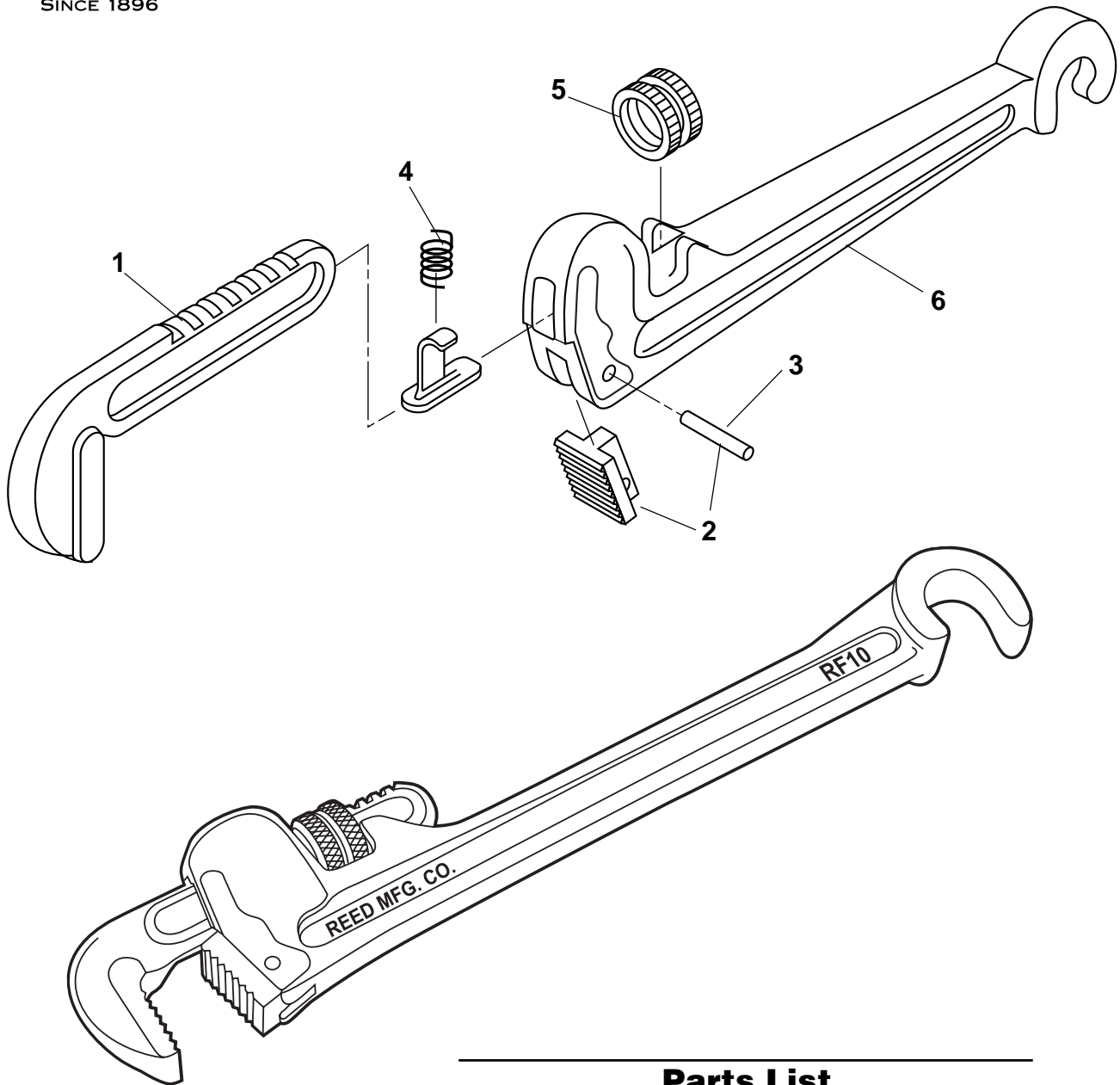
www.drainagesolutionsinc.com

# Operators Wrench (RF10)

Replacement Parts



PIPE TOOLS & VISES  
SINCE 1896



## Parts List

RF10			
Ref. No.	Description	Item Code	Cat. Number
1	Hook Jaw	92161	RW8B
2	Heel Jaw and Pin	92171	RW8C
3	Pin Only	30003	FSP1/8X7/8HMO
4	Coil and Flat Spring	92181	RW8E
5	Hook Jaw Nut	92191	RW8F
6	Handle/Hook Assembly	92121	RFF210HO

Reed Manufacturing Company  
1425 West 8th Street  
Erie, PA 16502 USA



Phone: 800-666-3691 or 814-452-3691  
Fax: 800-456-1697 or 814-455-1697  
www.reedmfgco.com

RP-904-36