



PIPE TOOLS & VISES  
SINCE 1896

**DRAINAGE  
SOLUTIONS, INC**

(317) 346-4110

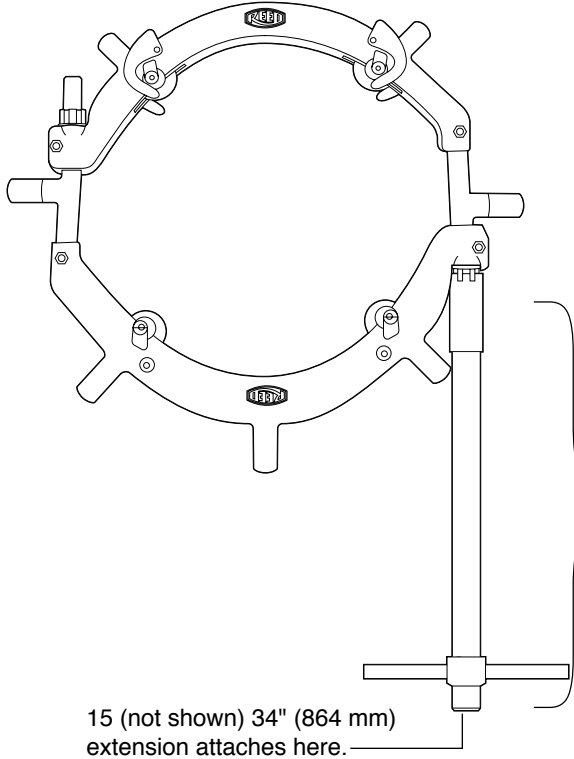
www.drainagesolutionsinc.com

# Rotary™ Cutters (RC20 and RC24)

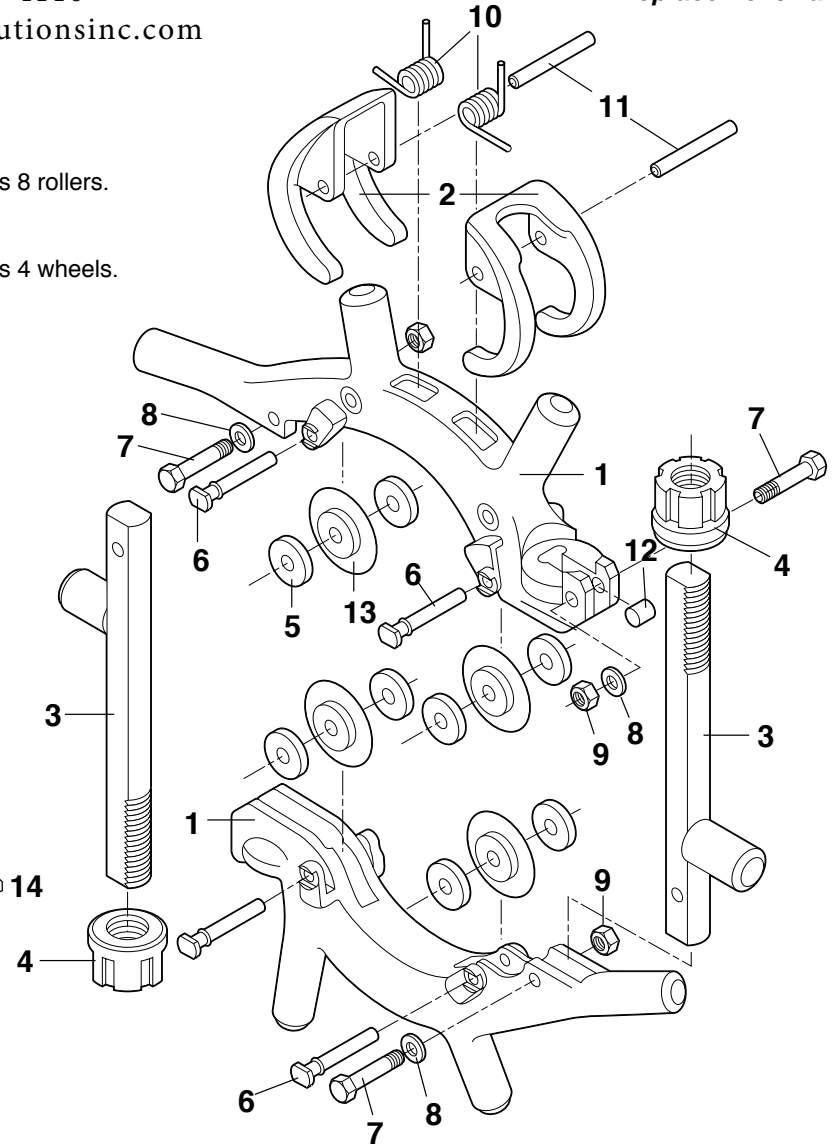
*Replacement Parts*

#5 is the roller.  
Each rotary cutter requires 8 rollers.

#13 is the cutter wheel.  
Each rotary cutter requires 4 wheels.



15 (not shown) 34" (864 mm)  
extension attaches here.



## Parts List

Ref. No.	Description	RC20	RC24	Qty. Used
		Item Code	Item Code	
1	Yoke	93057	93201	2
2	Guide	93080	93080	2
3	Main Screw	93081	93092	2
4	Adjusting Nut	93085	93085	2
5	Roller	93220	93220	8
6	Wheel Pin	93200	93200	4
7	Cap Screw	30035	30035	3
8	Lock Washer	30036	30036	3
9	Hex Nut	30037	30037	3
10	Guide Spring	40108	40108	2
11	Guide Pin	30153	30153	2
12	Screw Spacer	93066	93066	1
13	Cutter Wheel	See cutter wheel reference chart in catalog or price list.		
14	Handle Assembly	93216	93216	1
15	Handle Extension	93089	93089	1

Reed Manufacturing Company  
1425 West 8th Street  
Erie, PA 16502 USA

**QUALITY  
& Service**  
that Last a Lifetime

Phone: 800-666-3691 or 814-452-3691  
Fax: 800-456-1697 or 814-455-1697  
www.reedmfgco.com

RP-511-47