



PIPE TOOLS & VISES
SINCE 1896



(317) 346-4110

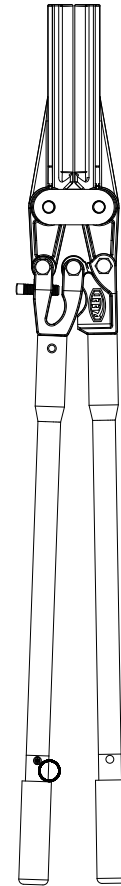
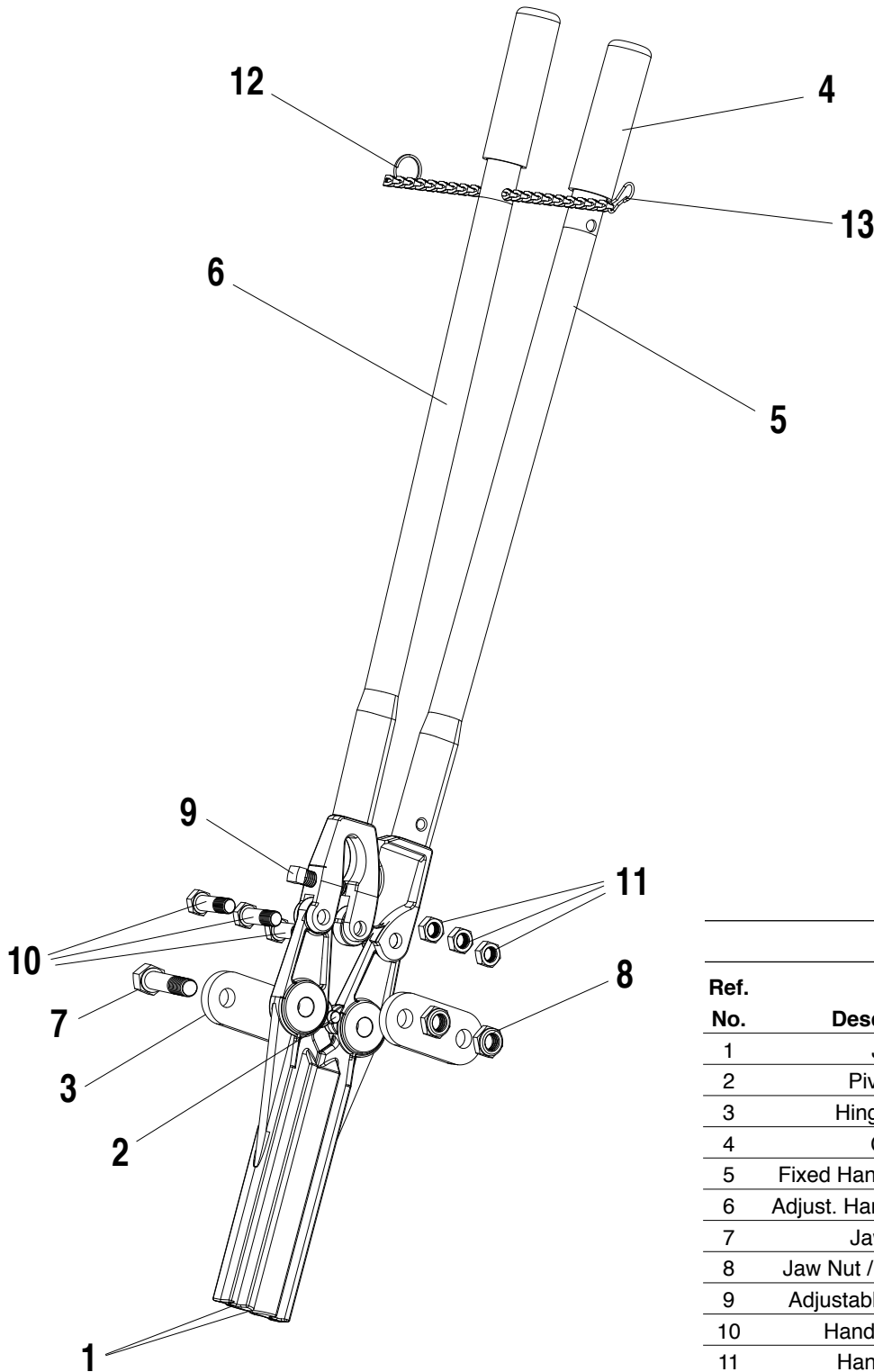
www.drainagesolutionsinc.com

Standing Shut-Off Tool

Replacement Parts

Catalog No. SSO1C

Item Code #04281



Parts List

Ref. No.	Description	Item Code	Qty.
1	Jaw	94331	2
2	Pivot Pin	34331	1
3	Hinge Plate	94333	2
4	Grip	46481	2
5	Fixed Handle Assembly	94336	1
6	Adjust. Handle Assembly	94337	1
7	Jaw Bolt	94332	2
8	Jaw Nut / Hex Locknut	30111	2
9	Adjustable Set Screw	98226	1
10	Handle Screw	98228	3
11	Handle Nut	98229	3
12	Chain Assembly	99055	1
13	Snap	40205	1

Reed Manufacturing
1425 West 8th Street
Erie, PA 16502 USA

QUALITY
& Service
that Last a Lifetime

Phone: 800-666-3691 or +1-814-452-3691
reedsales@reedmfgco.com
www.reedmfgco.com

RP-1120-77
See also 54281 instructions