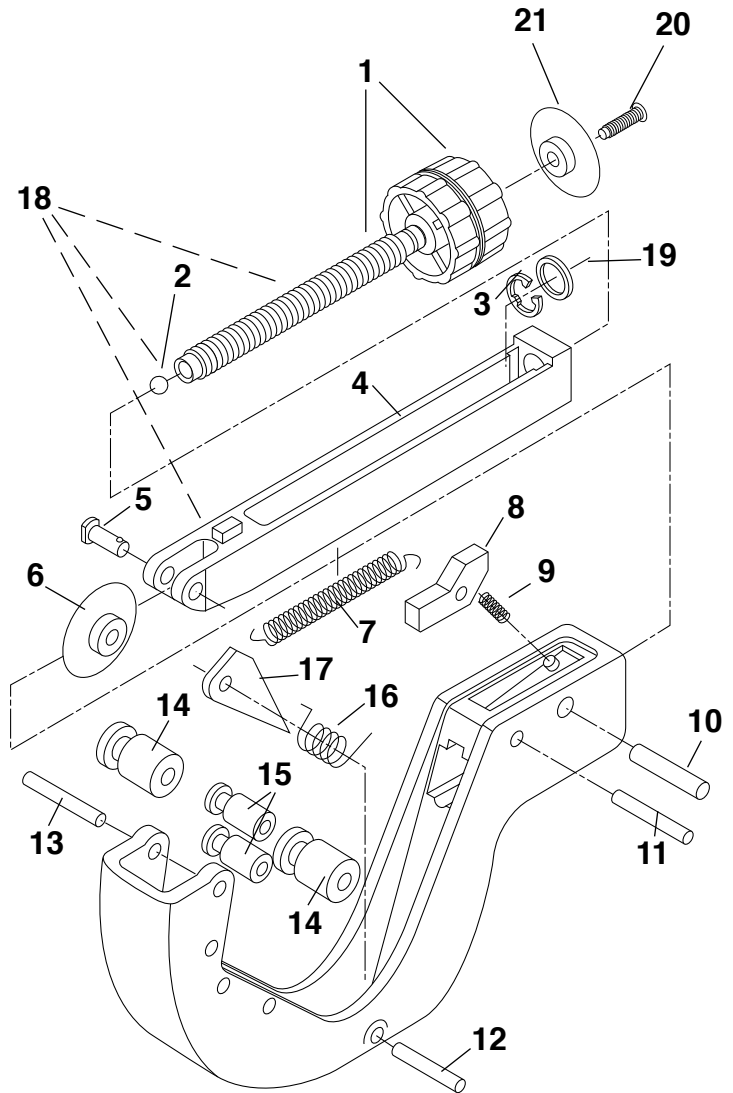
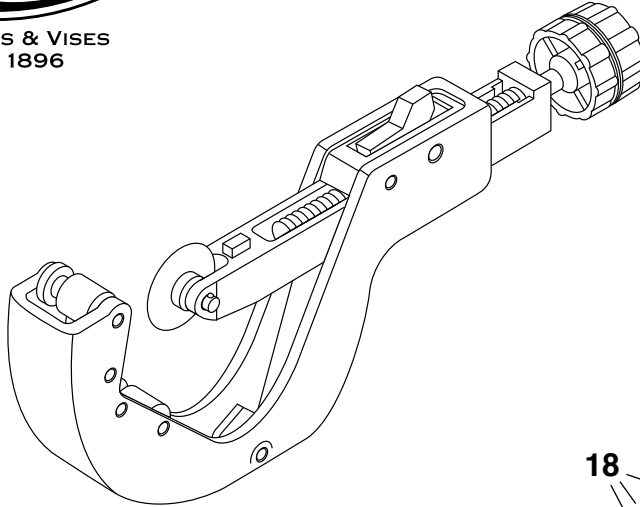




PIPE TOOLS & VISES
SINCE 1896

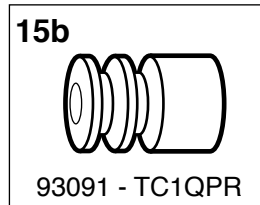
Tubing Cutters (TC1Q & TC2Q)

Replacement Parts



Parts List

Ref. No.	Description	TC1Q Item Code	TC2Q Item Code	Qty. Used
1	Handle & Screw	93421	93413	1
2	Steel Ball	93447	93447	1
3	Retaining Ring	40020	40020	1
4	Sliding Bar	93669	93689	1
5	Wheel Pin	93427	93426	1
6*	Cutter Wheel (for plastic)	04180	04180	1
	Cutter Wheel (for copper)	03660	03660	1
7	Bar Spring	93410	93411	1
8	Zip Nut	93407	93407	1
9	Zip Nut Spring	93440	93440	1
10	Zip Nut Pin	30001	30001	1
11	Stop Pin	30002	30002	1
12	Reamer Pin	30003	30003	1
13	Roller Pin	93435	93698	4
14	Large Roller	—	93419	2
15a	Small Roller	93416	93417	2
15b	Small Roller for Plastic 1QP/1QPVC	93091	—	2
16	Reamer Spring	40006	40006	1
17	Reamer	93443	93443	1
18	Sliding Bar Assembly**	93020	93015	1
19	Nylon Washer	—	40019	1
20	Screw	93459	93459	1
21	Extra Cutter Wheel			1



*Wheels for other applications also available

**93020 includes 93421, 93447, 40020 and 93669.

Reed Manufacturing Company
1425 West 8th Street
Erie, PA 16502 USA



(317) 346-4110

www.drainagesolutionsinc.com

Phone: 800-666-3691 or 814-452-3691

Fax: 800-456-1697 or 814-455-1697

www.reedmfgco.com

RP-1219-24