



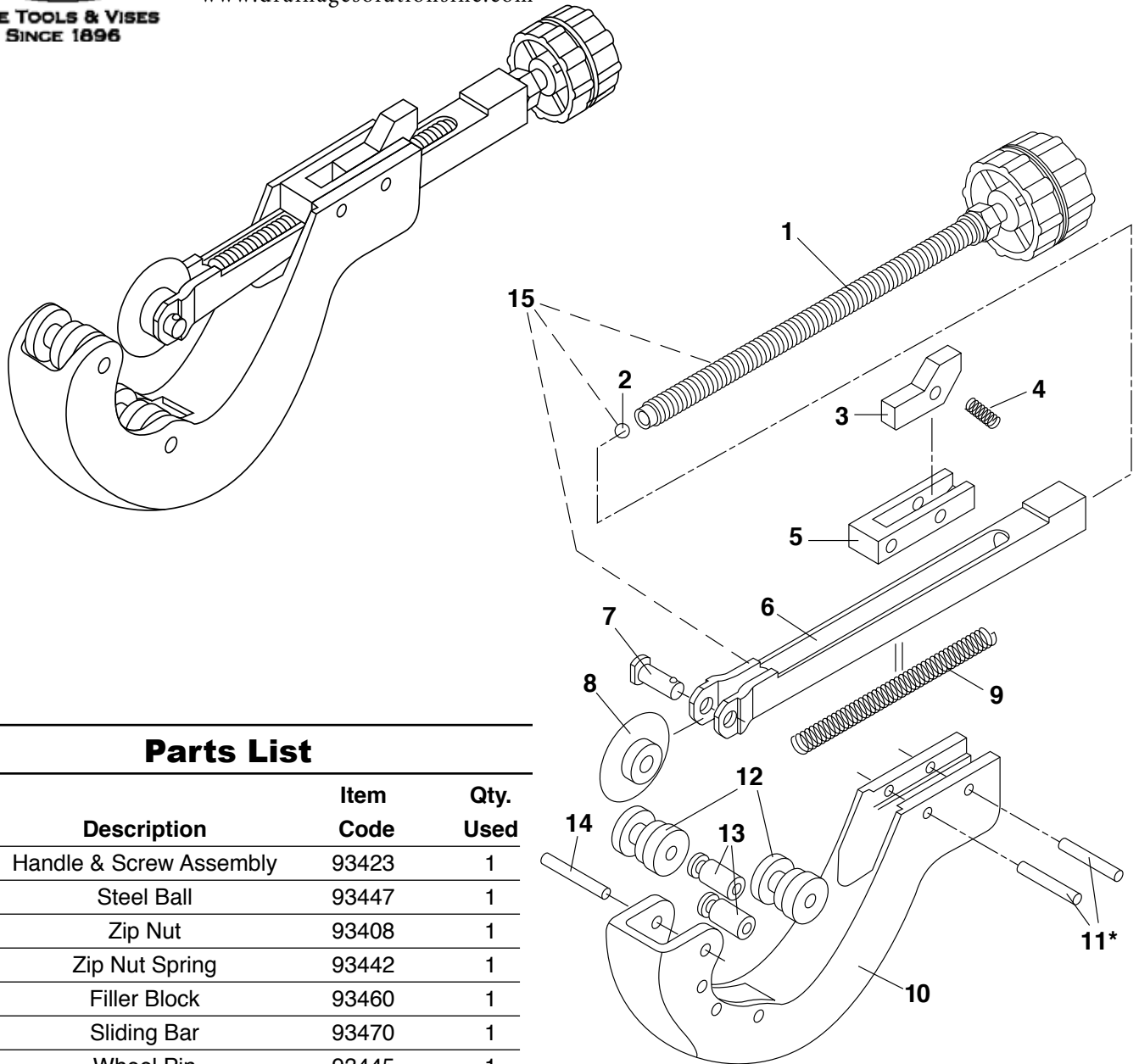
**DRAINAGE  
SOLUTIONS, INC**

(317) 346-4110

www.drainagesolutionsinc.com

# Tubing Cutters (TC3Q & TC3QP)

**Replacement Parts**

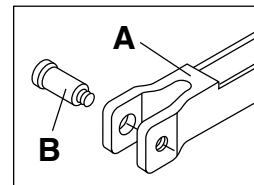


## Parts List

Ref. No.	Description	Item Code	Qty. Used
1	Handle & Screw Assembly	93423	1
2	Steel Ball	93447	1
3	Zip Nut	93408	1
4	Zip Nut Spring	93442	1
5	Filler Block	93460	1
6	Sliding Bar	93470	1
7	Wheel Pin	93445	1
8	Cutter Wheel (for copper)	03665	1
8	Cutter Wheel (for plastic)	04190	1
9	Bar Spring	93412	1
10	Body	93192	1
11*	Block Pin	30038	2
12	Large Roller	93420	2
13	Small Roller	93418	2
14	Roller Pin	93437	4
15	Sliding Bar Assembly*	93409	1

\*Sliding Bar Assembly consists of #1, #2 & #6

Old style sliding bar



A 93467 Slide Bar  
B 93431 Wheel Pin Screw

For old style TC3Q body, use block pin #93462

Reed Manufacturing Company  
1425 West 8th Street  
Erie, PA 16502 USA

**QUALITY  
& Service**  
that Last a Lifetime

Phone: 800-666-3691 or 814-452-3691  
Fax: 800-456-1697 or 814-455-1697  
www.reedmfgco.com

RP-1012-19