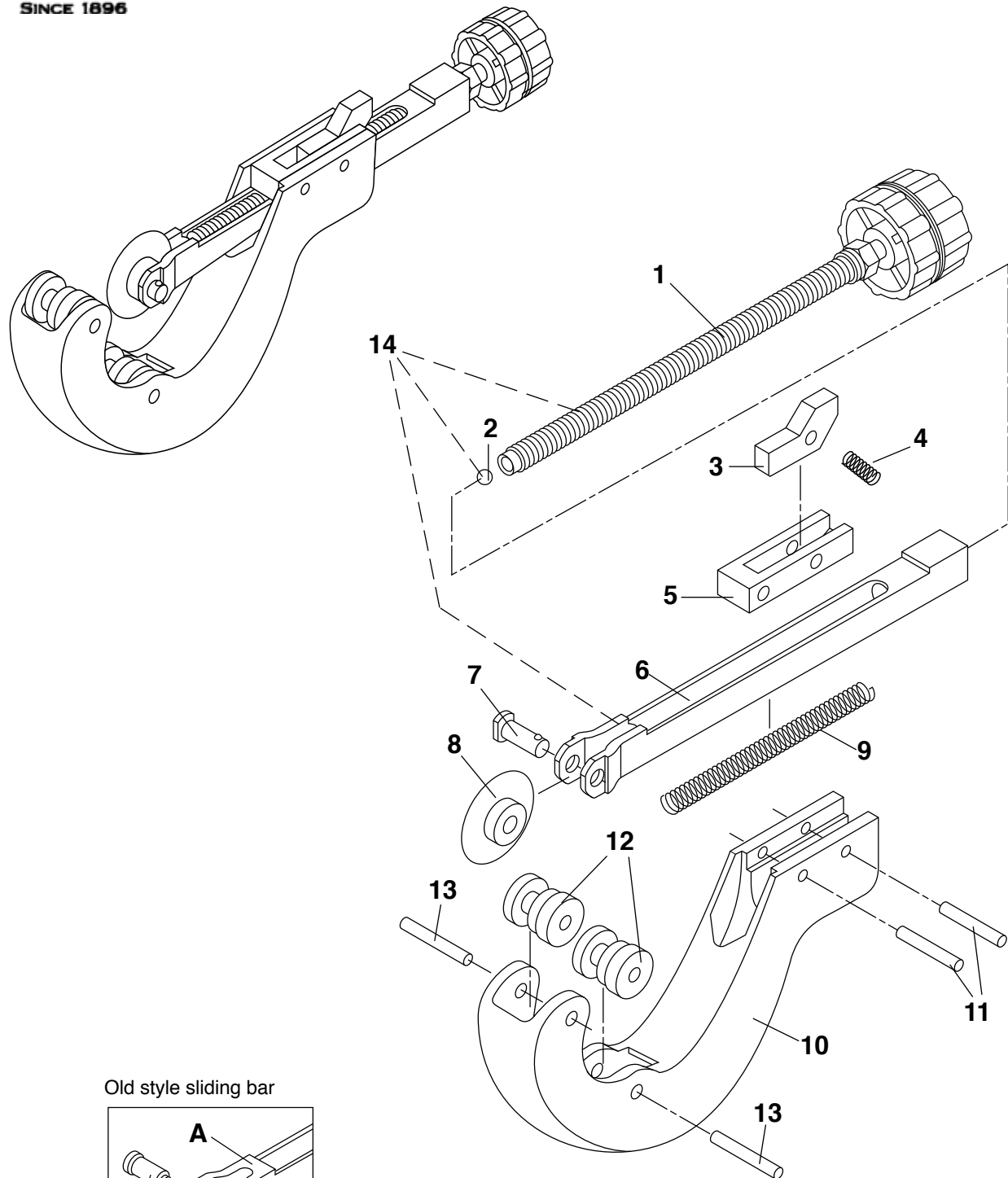


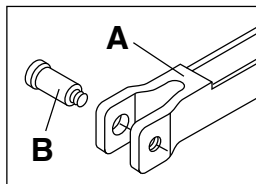


Tubing Cutters (TC4Q, TC5Q, TC6Q)

Replacement Parts



Old style sliding bar



- A 93467 Slide Bar
- B 93431 Wheel Pin Screw

Reference chart
on reverse side





Tubing Cutters (TC4Q, TC5Q, TC6Q)

Replacement Parts

Parts List

Ref. No.	Description	TC4Q Item Code	TC5Q Item Code	TC6Q Item Code	Qty. Used
1	Handle & Screw Assembly	93423	93423	93423	1
2	Steel Ball	93447	93447	93447	1
3	Zip Nut	93408	93408	93408	1
4	Zip Nut Spring	93442	93442	93442	1
5	Filler Block	93460	93460	93460	1
6	Sliding Bar	93470	93695	93695	1
7	Wheel Screw	93445	93445	93445	1
8	Cutter Wheel (for copper)	03665	03665	03665	1
	Cutter Wheel (for plastic)	04190	04190	04190	1
	Cutter Wheel (for muffler tubing systems)	03670	03670	03670	1
9	Bar Spring	93412	93412	93412	1
10	Body	93193	93454	93455	1
11	Block Pin	30038	30038	30038	2
12	Large Roller	93420	93420	93420	2
13	Roller Pin	93437	93437	93437 (4 pins)	2
14	Sliding Bar Assembly	93409	93194	93194	1

*Sliding Bar Assembly listed above consists of #1, #2 & #6

- Old style item code number for #7 Sliding Bar for TC4Q and TC5Q - #93467, for TC6Q - #93695
- Old style item code number for #8 Wheel Screw for TC4Q, TC5Q and TC6Q, #93431
- For old style TC4Q body, use block pin #93462