

# Clean Ream Extreme® TFR400

Toilet Closet Flange Reamer

Escariador de brida

Alésoir pour bride de toilette

**For removing a closet flange from inside 4"  
Schedule 40 PVC pipe**

## ASSEMBLY

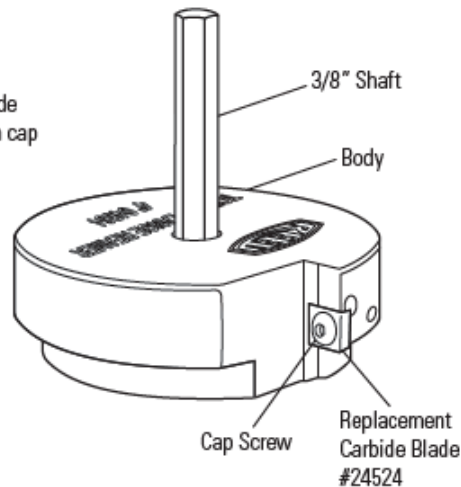
1. Insert shaft into reamer.
2. Make sure shaft is all the way through and flush with the bottom of the reamer.
3. Tighten set screw on side using hex wrench.

## INSTRUCTIONS

1. Insert reamer into toilet closet flange, insure tool stays on center to prevent binding. If no chips are being made, remove tool and check.
2. Ream until old flange is removed.
3. Remove reamer and clean out chips from pipe.

**Note:** Some toilet closet flanges may require to ream first with the REED PPR300 3" reamer to remove the tab or lip to create the correct pilot hole diameter for the TFR400.

Change cutting edge by removing cap screw and rotating or replacing carbide blade. Replace blade, then cap screw, and tighten.



 **WARNING:** Cancer  
**ADVERTENCIA:** Cáncer  
**AVERTISSEMENT:** Cancer  
[www.P65Warnings.ca.gov](http://www.P65Warnings.ca.gov)



PIPE TOOLS & VISES  
SINCE 1896

[www.reedmfgco.com](http://www.reedmfgco.com)  
Reed Manufacturing, Erie, PA USA

Made in USA  
Hecho en EE.UU.  
Fabriqué aux É.U.



0523 - 54564

Instructions for TFR400 – packaging card 54564



(317) 346-4110

[www.drainagesolutionsinc.com](http://www.drainagesolutionsinc.com)