



PIPE TOOLS & VISES
SINCE 1896

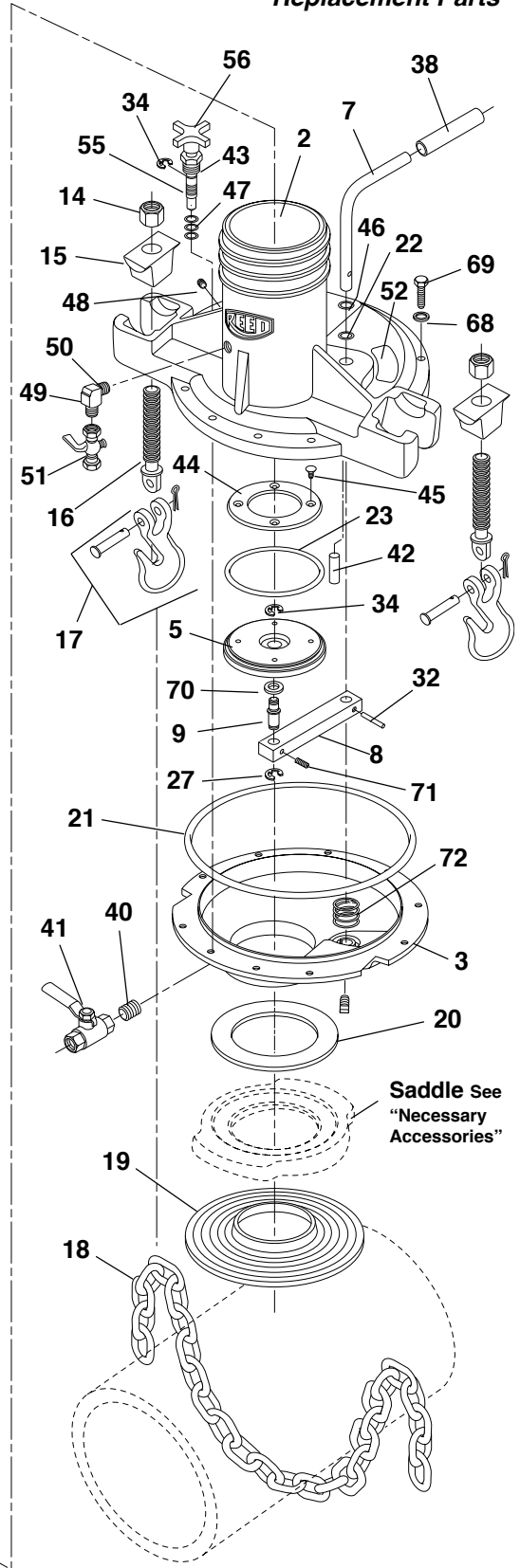
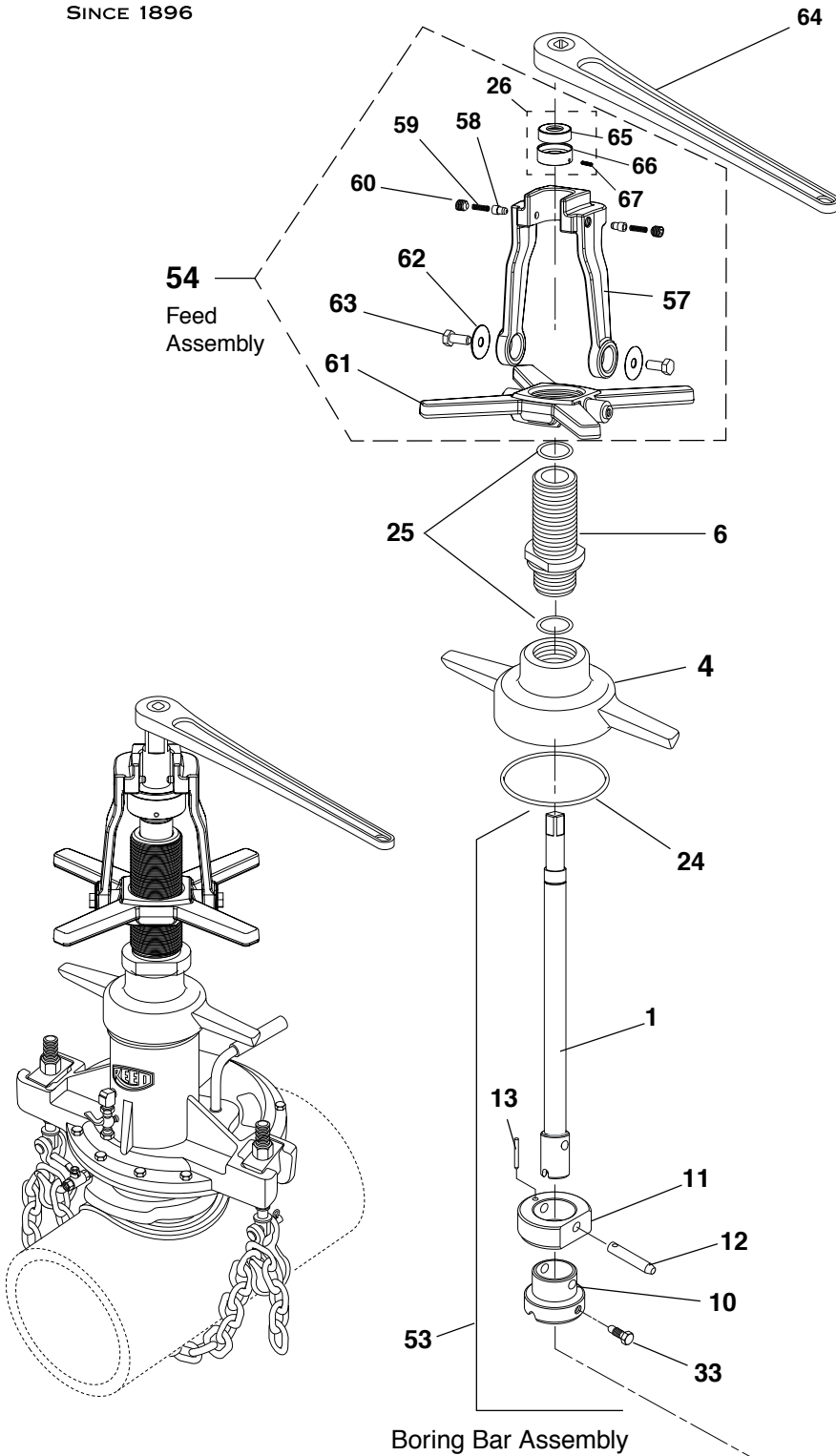


DRAINAGE SOLUTIONS, INC www.drainagesolutionsinc.com

(317) 346-4110

TM1100 Tapping Machine

Replacement Parts



TM1100RFK Conversion Kit converts old style TM1000 to current style TM1100. Includes #53 Boring Bar Assembly, #54 Feed Assembly, #6 and one #25.

Reed Manufacturing
1425 West 8th Street
Erie, PA 16502 USA



Phone: 800-666-3691 or 814-452-3691
reedsales@reedmfgco.com
www.reedmfgco.com

RP-0421-11
See also 59300



PIPE TOOLS & VISES
SINCE 1896

TM1100 Tapping Machine

Replacement Parts

TM1100 Tapping Machine Parts List

Ref. No.	Description	REED Item Code	Ref. No.	Description	REED Item Code
1	Boring Bar	99302	*36	3/4" Insert Tool	98423
2	Top Chamber	98403	*37	1" Insert Tool	98424
3	Bottom Chamber	98404	38	Plastic Grip	40397
4	Top Chamber Cap	98405	*39	5/8" Combination Wrench	40405
5	Valve Poppet	98420	40	Brass Nipple	97564
6	Threaded Body	99300	41	Ball Valve	40396
7	Valve Lever	98406	42	Stop Pin	30130
8	Valve Poppet Bar	98407	43	Bushing	98429
9	Mini-Valve	98409	44	Poppet Ring	98419
10	Boring Bar Bearing	98410	45	Screw (4)	30199
11	Bearing Sleeve	98411	46	O-Ring - Valve Lever	40426
12	Knockout Pin	98412	47	O-Ring - Needle (3)	40425
13	Roll Pin	93436	48	Pipe Plug	40395
14	Nut	98421	49	Straight Elbow	40427
15	Swivel	98414	50	Close Nipple	40403
16	Chain Pull Rod	98415	51	Ball Valve	40273
17	Chain Hook	40369	52	Valve Sticker	50408
18	Hi Test Chain	98417	53	Boring Bar Assembly	99309**
19	Saddle Gasket	40372	54	Feed Assembly	99305
20	Saddle Ring Gasket	40371	55	Needle	98428
21	Bottom Chamber O-Ring	40373	56	Knob	40210
22	Valve Lever O-Ring	40374	57	Yoke	98495
23	Valve Poppet O-Ring	40375	58	Yoke Pin	98450
24	Top Cap Large Quad Ring	40376	59	Spring	94304
25	Threaded Body O-Ring (2)	40377	60	Set Screw	38495
26	Bearing Assembly	99307	61	Star Feed	98494
27	E-Ring	30116	62	Washer	39305
*28	a: Rolling Case	48474	63	Hex Bolt	30118
	b: TM1100 Foam Insert	48478	64	Ratchet Wrench	40383
*29	Operator's Manual	59300	65	Bearing	40414
*30	Tapping Compound	98425	66	Bearing Retainer	99306
*31	Wrench	02112	67	Set Screw	39306
32	Roll Pin	93435	68	Lock Washer (10)	30177
33	Tool Ret. Screw	98416	69	Hex Nut Cap Screw (10)	30197
34	E-Ring (2)	30009	70	Rubber Washer	40382
*35	Adapter Shank	98422	71	Set Screw	30087
			72	Comp Spring	40389

* Included but not shown

**99309 assembly includes: 99302, 98410, 98411, 98412, 93436, 98416.

TM1100 Necessary Accessories

P/N	Name	Item Code	P/N	Name	Item Code
1	Saddle 4"	98442	16	Tap. Comp. 6 oz. squeeze bottle	99140
2	Saddle 6"	98439	17	Saddle Gasket	40372
3	Saddle 8"	98440	18	Sealing Disc	40371
4	Saddle 10"	98441	19	Bearing Sleeve	98411
5	Saddle 12"	98438	20	Knockout Pin	98412
6	Saddle 16"	98443	21	13/16" Sq. Dr. Wrench	40383
7	Saddle 18"	98444	22	Power Drive Adapter	08430
8	Saddle 20"	98445	23	Drill Tap 3/4"	04390
9	Saddle 24"	98446	24	Drill Tap 1"	04391
10	Saddle 30-36"	98447	25	Drill Tap 3/4" - PVC	04396
11	Saddle 42"	98448	26	Drill Tap 1" - PVC	04397
12	Saddle 48"	98449	27	3/4" Corp Insertion Tool	98423
13	Ext Chain 5' Lengths	98417	28	1" Corp Insertion Tool	98424
14	Chain Clevis 5/16"	40394	29	Adapter Shank	98422
15	Tapping Compound 16 oz. can	98425	30	Operator's Manual	59300

Note: Extension chain and clevis to be used to extend TM1100 beyond basic 16" diameter capacity. Add one chain and clevis for up to 32" capacity. Add two chains and clevis for capacity up to 48".