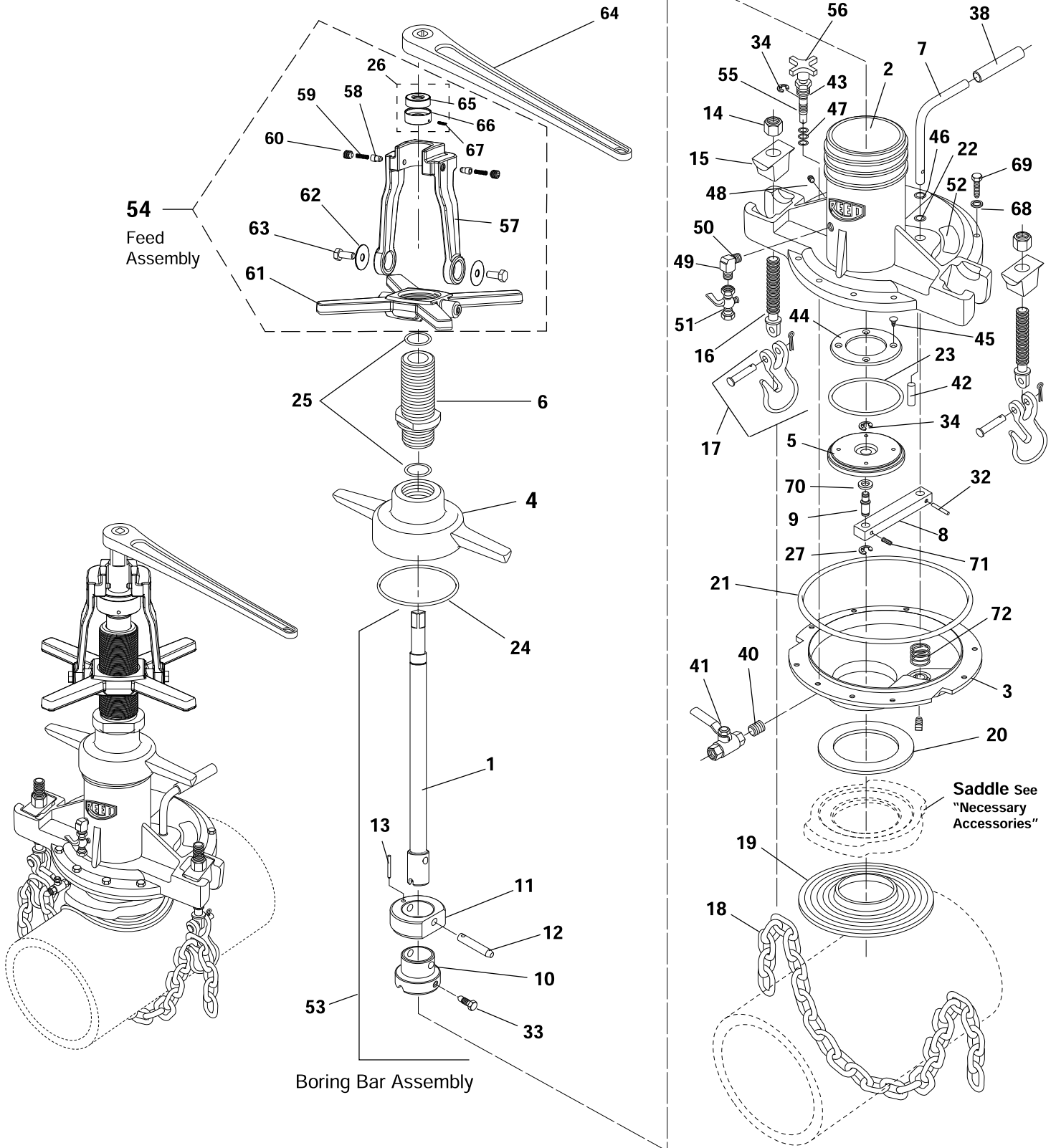


**TM1100 Tapping Parts Illustration, Parts List, and Necessary Accessories:  
TM1100 Ilustraciones de partes, lista de partes y accesorios necesarios de la máquina para aterrajear:**



## TM1100 Tapping Machine Parts List TM1100 Lista de partes de la máquina para aterrajear

Ref. No. Nº de ref.	Description Descripción	REED Item Code Código de elemento	Ref. No. Nº de ref.	Description Descripción	REED Item Code Código de elemento
<b>REED</b>					
1	Boring Bar	99302	*37	1" Insert Tool	98424
2	Top Chamber	98403	38	Plastic Grip	40397
3	Bottom Chamber	98404	*39	5/8" Combination Wrench	40405
4	Top Chamber Cap	98405	40	Brass Nipple	97564
5	Valve Poppet	98420	41	Ball Valve	40396
6	Threaded Body	99300	42	Stop Pin	30130
7	Valve Lever	98406	43	Bushing	98429
8	Valve Poppet Bar	98407	44	Poppet Ring	98419
9	Mini-Valve	98409	45	Screw (4)	30199
10	Boring Bar Bearing	98410	46	O-Ring - Valve Lever	40426
11	Bearing Sleeve	98411	47	O-Ring - Needle (3)	40425
12	Knockout Pin	98412	48	Pipe Plug	40395
13	Roll Pin	93436	49	Straight Elbow	40427
14	Nut	98421	50	Close Nipple	40403
15	Swivel	98414	51	Ball Valve	40273
16	Chain Pull Rod	98415	52	Valve Sticker	50408
17	Chain Hook	40369	53	Boring Bar Assembly	99309**
18	Hi Test Chain	98417	54	Feed Assembly	99305
19	Saddle Gasket	40372	55	Needle	98428
20	Saddle Ring Gasket	40371	56	Knob	40210
21	Bottom Chamber O-Ring	40373	57	Yoke	98495
22	Valve Lever O-Ring	40374	58	Yoke Pin	98450
23	Valve Poppet O-Ring	40375	59	Spring	94304
24	Top Cap Large Quad Ring	40376	60	Set Screw	38495
25	Threaded Body O-Ring (2)	40377	61	Star Feed	98494
26	Bearing Assembly	99307	62	Washer	39305
27	E-Ring	30116	63	Hex Bolt	30118
*28	Carrying Case	40417	64	Ratchet Wrench	40383
*29	Operator's Manual	59300	65	Bearing	40414
*30	Tapping Compound	98425	66	Bearing Retainer	99306
*31	Wrench	02112	67	Set Screw	39306
32	Roll Pin	93435	68	Lock Washer (10)	30177
33	Tool Ret. Screw	98416	69	Hex Nut Cap Screw (10)	30197
34	E-Ring (2)	30009	70	Rubber Washer	40382
*35	Adapter Shank	98422	71	Set Screw	30087
*36	3/4" Insert Tool	98423	72	Comp Spring	40389

\* Included but not shown

\*\*99309 assembly includes: 99302, 98410, 98411, 98412, 93436, 98416.

\* Se incluye pero no se muestra

\*\*El conjunto 99309 incluye: 99302, 98410, 98411, 98412, 93436, 98416.

## TM1100 Necessary Accessories TM1100 Accesorios necesarios:

P/N N/P	Name Nombre	Item Code Código de elemento	P/N N/P	Name Nombre	Item Code Código de elemento
1	Saddle 4"	20542	16	Saddle Gasket	40372
2	Saddle 6"	20539	17	Sealing Disc	40371
3	Saddle 8"	20540	18	Bearing Sleeve	98411
4	Saddle 10"	20541	19	Knockout Pin	98412
5	Saddle 12"	20538	20	13/16" Sq. Dr. Wrench	40383
6	Saddle 16"	20543	21	Power Drive Adapter	98426
7	Saddle 18"	20544	22	Drill Tap 3/4"	04390
8	Saddle 20"	20545	23	Drill Tap 1"	04391
9	Saddle 24"	20546	24	Drill Tap 3/4" — PVC	04396
10	Saddle 30-36"	20547	25	Drill Tap 1" — PVC	04397
11	Saddle 42"	20548	26	3/4" Corp Insertion Tool	98423
12	Saddle 48"	20549	27	1" Corp Insertion Tool	98424
13	Ext Chain 5' Lengths	98417	28	Adapter Shank	98422
14	Chain Clevis 5/16"	40394	29	Operator's Manual	59300
15	Tapping Compound	98425			

Note: Extension chain and clevis to be used to extend TM1100 beyond basic 16" diameter capacity. Add one chain and clevis for up to 32" capacity. Add two chains and clevises for capacity up to 48".

Nota: Cadena de extensión y horquilla para usarse para extender la TM1100 más allá de la capacidad de diámetro de 16 pulg. básica. Agregue una cadena y horquilla para una capacidad de hasta 32 pulg. Agregue dos cadenas y horquillas para una capacidad de hasta 48 pulg.