



# Assembly & Use Instructions for Digital Counter VOKCNT

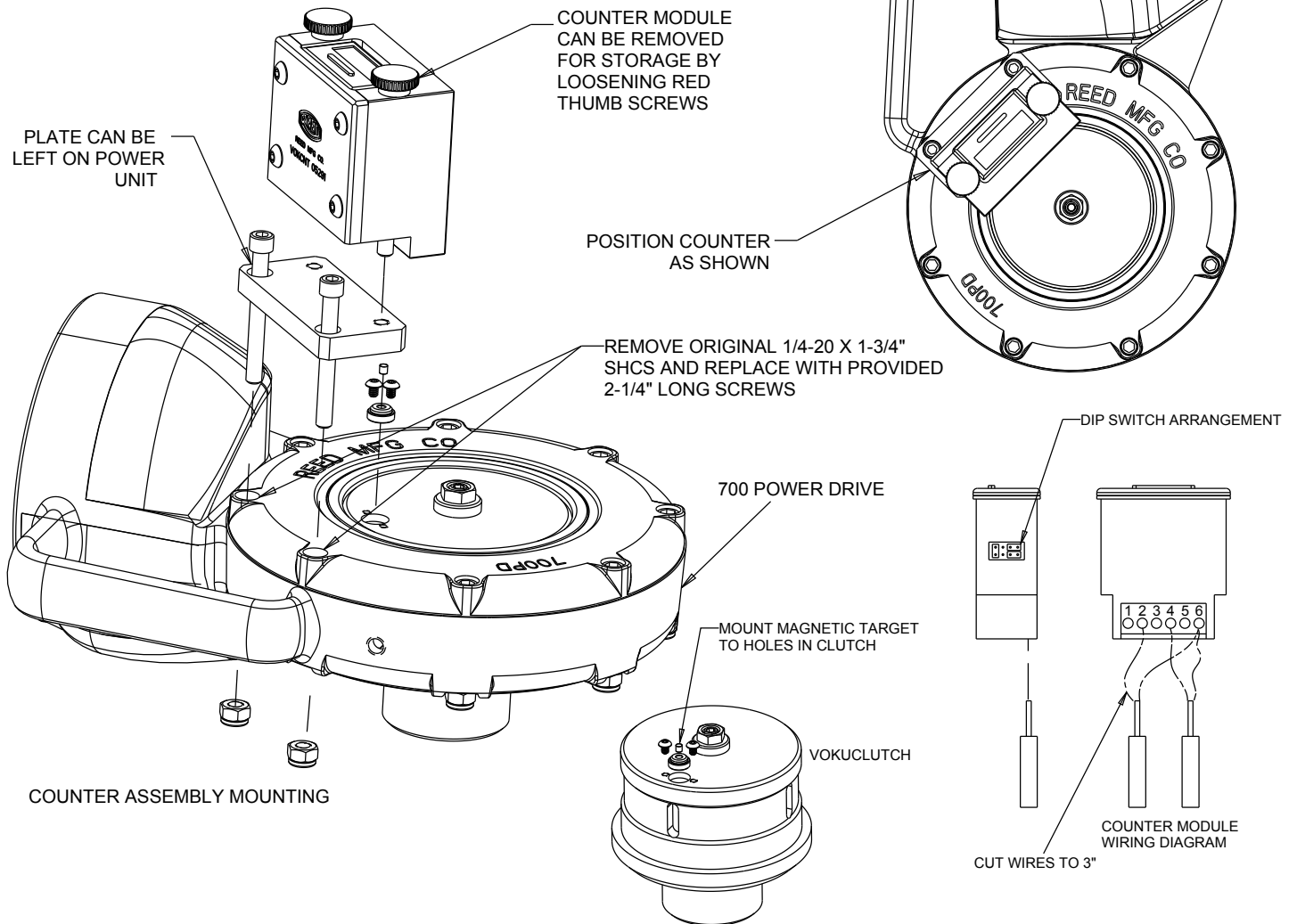
for use with Valve Operator

#05291



(317) 346-4110

www.drainagesolutionsinc.com  
DRAINAGE SOLUTIONS, INC



## INSTALLATION INSTRUCTIONS

To mount the VOKCNT Counter to the 700PD Power Drive, first remove the 1/4-20 X 1-3/4" socket head cap screws (SHCS) and lock nuts from the 700PD as shown in the diagram. Remove the counter module from the base plate by loosening the two red thumb screws. Place the base plate over the two screw holes in the 700PD and replace the two 1/4-20 X 1-3/4" SHCS with the supplied 1/4-20 X 2-1/4" SHCS. Reattach the lock nuts and tighten. Remount the Counter module.

Place the magnetic target, magnet side up, into the hole on the clutch. Tighten the two 6-32 button head screws into the clutch to hold the magnetic target in the clutch. Once the magnetic target has been mounted, insert the utility clutch into the power drive.

## OPERATING INSTRUCTIONS

The counter works by the magnet passing two sensors in the bottom of the counter module. When the 700PD Power Drive is run in a clockwise direction, the numbers on the counter will advance in a positive direction from 0 to 99999999. If the power drive is run in a counterclockwise direction, the numbers on the counter will advance in the opposite direction from 99999999 to 0. The counter is powered by an unreplaceable internal battery that has a 5 - 7 year life and the Counter Module #95289 will have to be replaced periodically.

The counter module is removable and can be stored separately in a safe place when not in use. The counter base plate can remain on the 700PD and should not interfere any other uses of the power drive.

Reed Manufacturing  
1425 West 8th Street  
Erie, PA 16502 U.S.A.

**QUALITY**  
**& Service**  
that Last a Lifetime

Phone: 800-666-3691 or +1-814-452-3691  
reedsales@reedmfgco.com  
www.reedmfgco.com

0221 - 55293  
See also RP-133 and Instructions 55277