



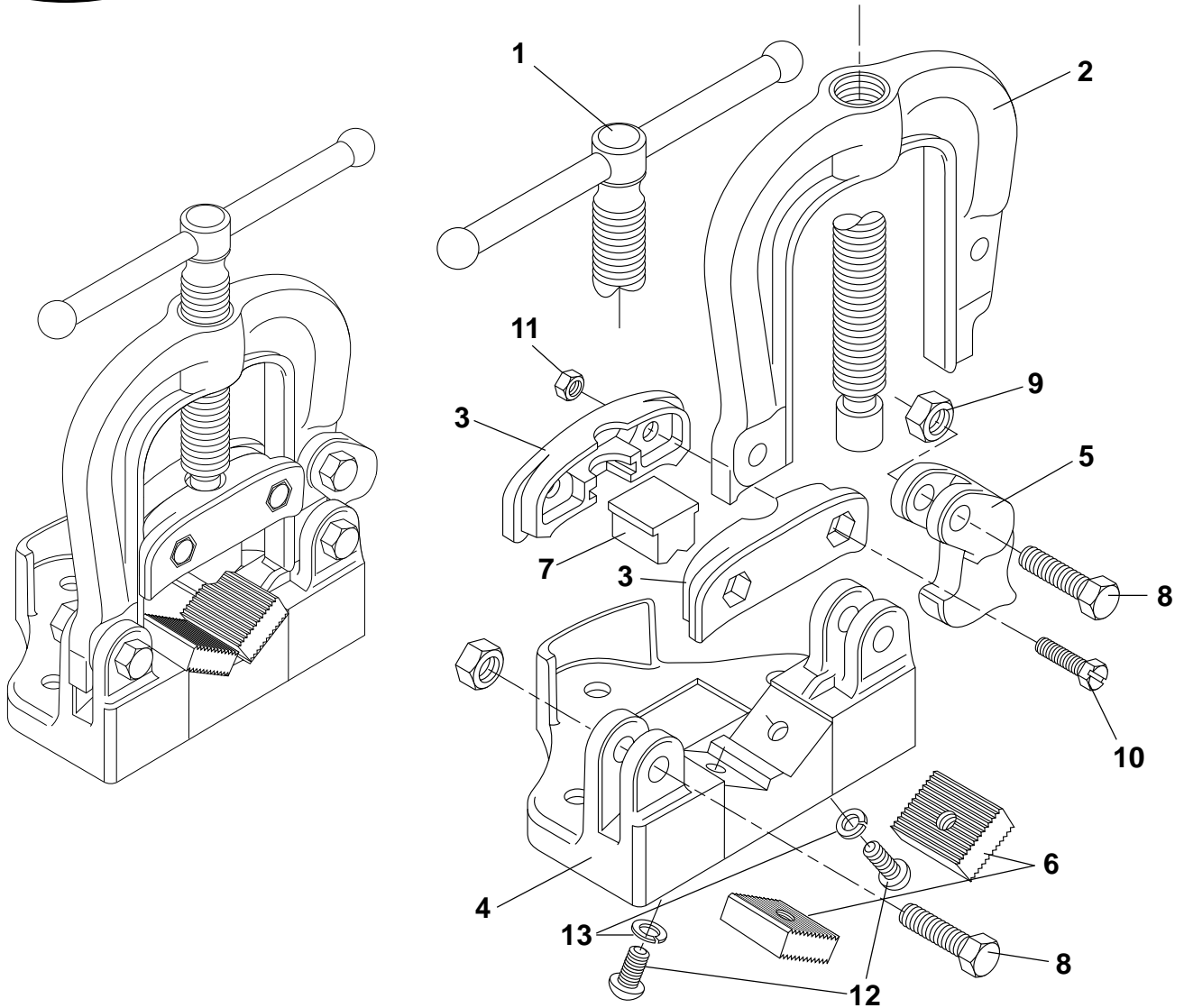
(317) 346-4110

**DRAINAGE SOLUTIONS, INC** www.drainagesolutionsinc.com



# Pipe Vises (R-Series)

## Replacement Parts



### Parts List

Ref. No.	Description	R0		R1		R2		R3	
		Item Code	Qty. Used	Item Code	Qty. Used	Item Code	Qty. Used	Item Code	Qty. Used
1	Handle & Screw	92403	1	92423	1	92443	1	92463	1
2	Yoke	92019	1	92034	1	92005	1	92039	1
3	Crosshead	92404	2	92424	2	92444	2	92464	2
4	Base	92020	1	92035	1	92004	1	92040	1
5	Hook	92029	1	92036	1	92006	1	92041	1
6	Lower Jaw	92402	2	92422	2	92442	2	94262	2
7	Upper Jaw	92401	1	92421	1	92461	1	92461	1
8	Cap Screw	92033	3	30053	3	30057	3	30059	3
9	Hex Nut	30050	3	30056	3	30058	3	30062	3
10	Machine Screw	30051	2	30055	2	30014	2	30061	2
11	Hex Nut	30052	2	30052	2	30022	2	30022	2
12	Machine Screw	30048	2	30054	2	30054	2	30060	2
13	Lock Washer	30049	2	30033	2	30033	2	30033	2

Reed Manufacturing Co.  
1425 West 8th St.  
Erie, PA 16502 U.S.A.



Phone: 800-666-3691 or 814-452-3691  
Fax: 800-456-1697 or 814-455-1697