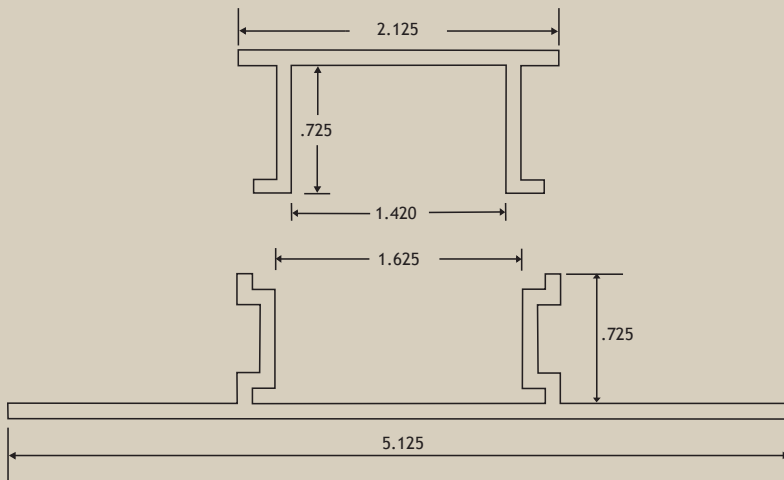


MINI PAVER DRAIN



The Mini Paver Drain is designed to be used when 1" thick pavers are installed on an existing surface. The extended base goes under the surrounding pavers to ensure a stable installation.

Patented



	GREY	MARBLE	TAN	WHITE
PART #	MP2G	MP2M	MP2T	MP2W

CARTON INCLUDES: 8 EACH 10' LENGTHS COMPLETE WITH BASE, TOP CAP AND COUPLERS

STEGMEIER[®]

LLC



DRAINAGE SOLUTIONS, INC

(317) 346-4110

www.drainagesolutionsinc.com

Arlington, TX • Henderson, NV

DOWNLOAD THE STEGMEIER LLC APP

