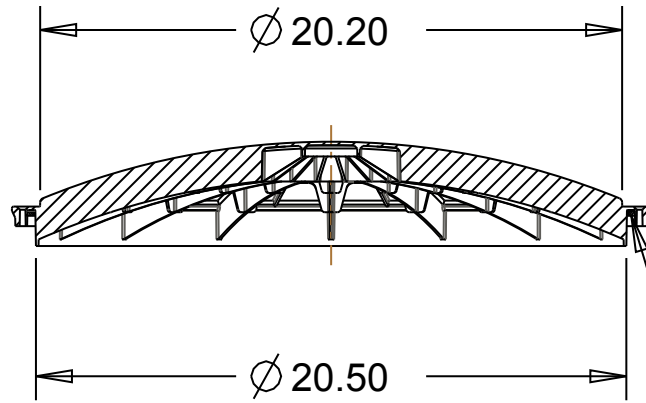




DRAINAGE SOLUTIONS, INC

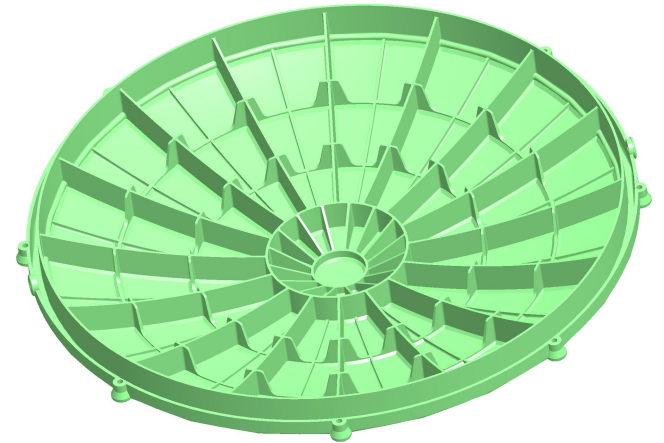
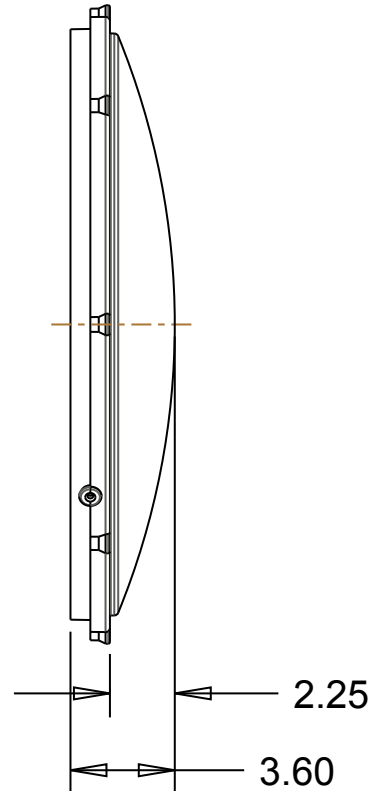
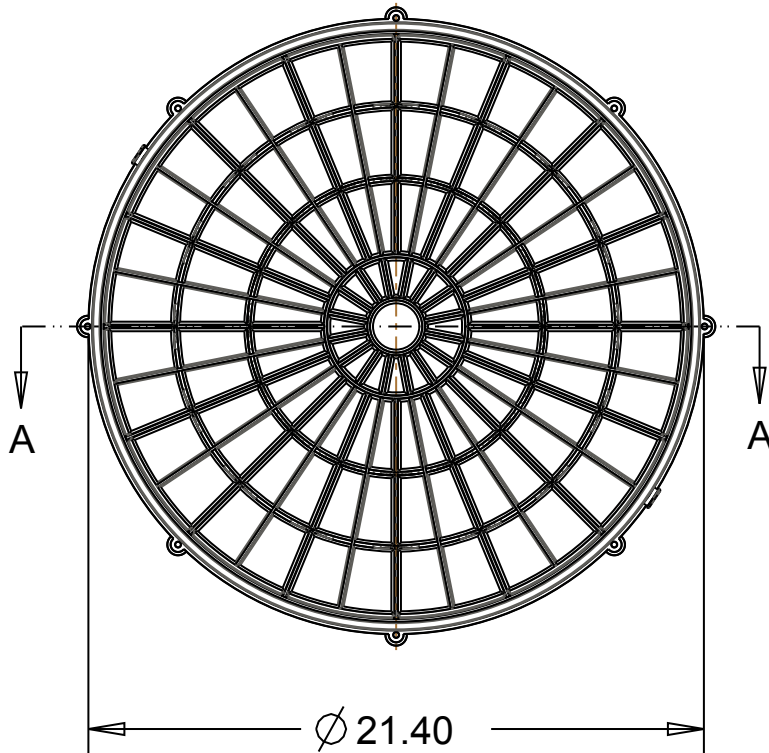
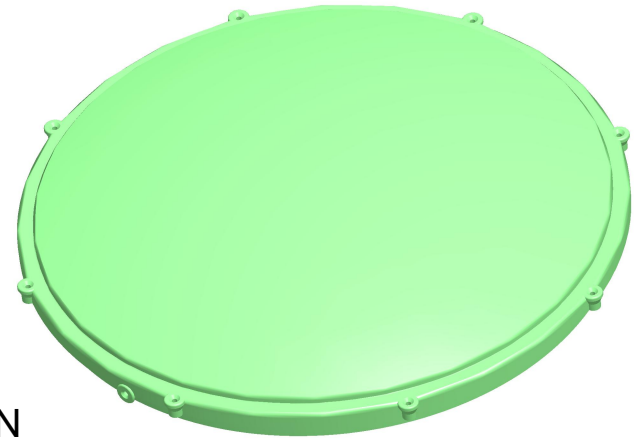
(317) 346-4110

www.drainagesolutionsinc.com



SECTION A-A

PERMANENT FOAMED-IN POLYURETHANE GASKET



**Material: Copolymer Polypropylene
Color: Green**



Drainage and Septic Products

(317) 346-4110

www.drainagesolutionsinc.com

PART NAME:

20" RISER LID

PART #:

20 - RISL - GREEN