

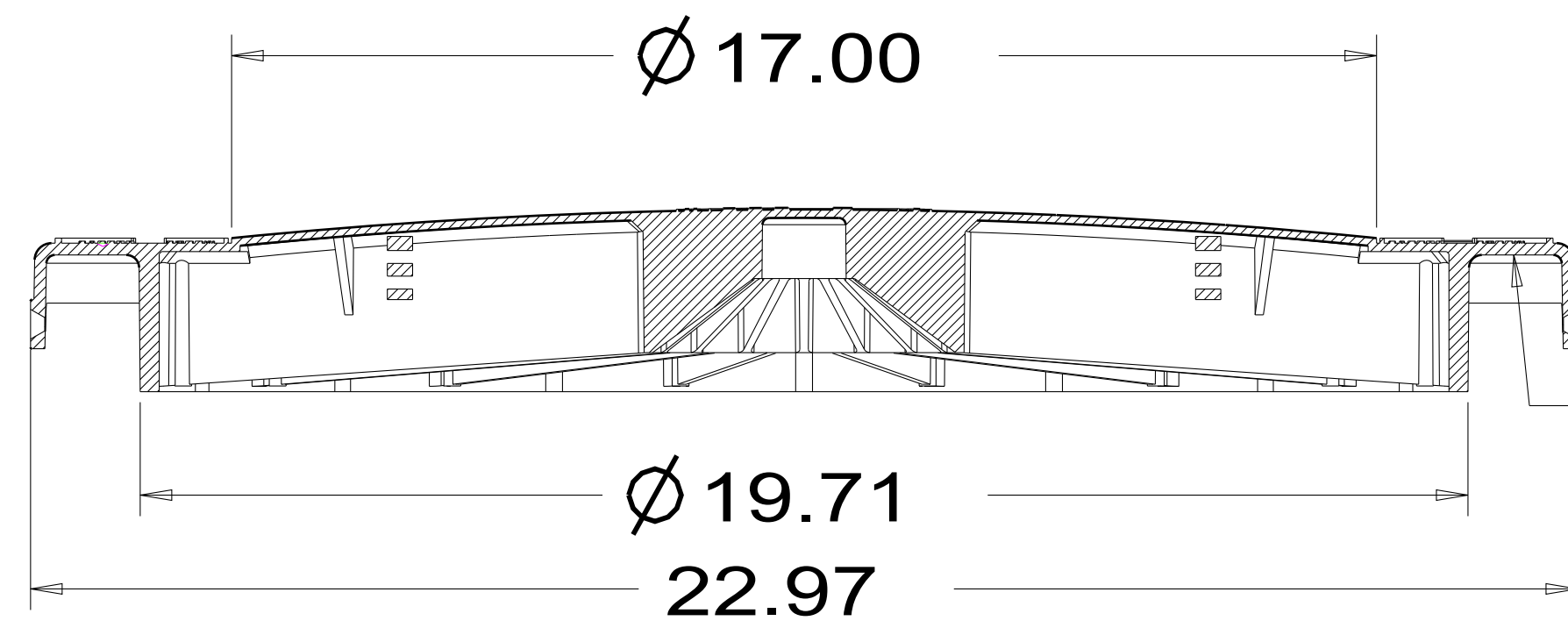


(317) 346-4110

www.drainagesolutionsinc.com

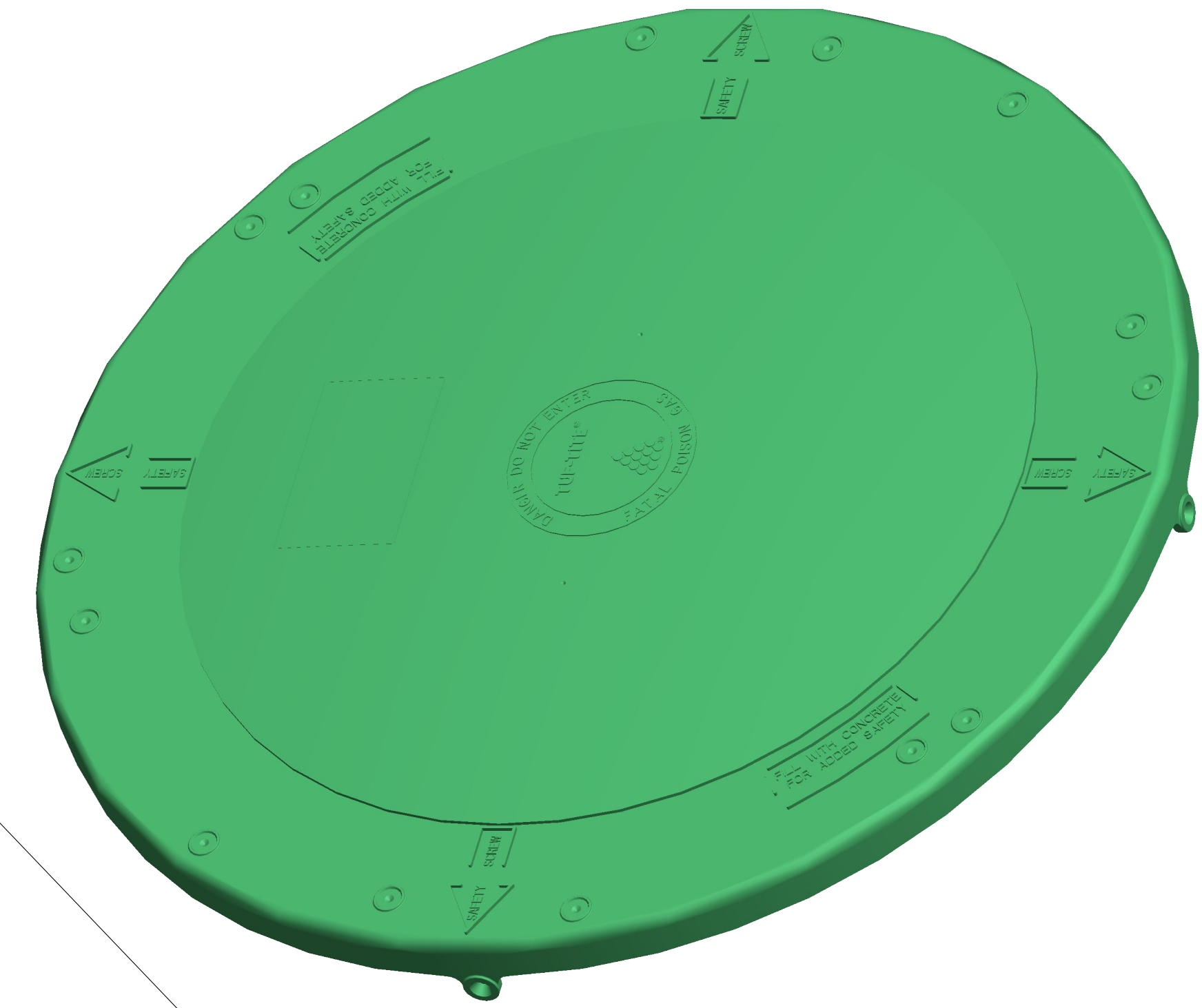
**DRAINAGE SOLUTIONS, INC**

SECTION A-A

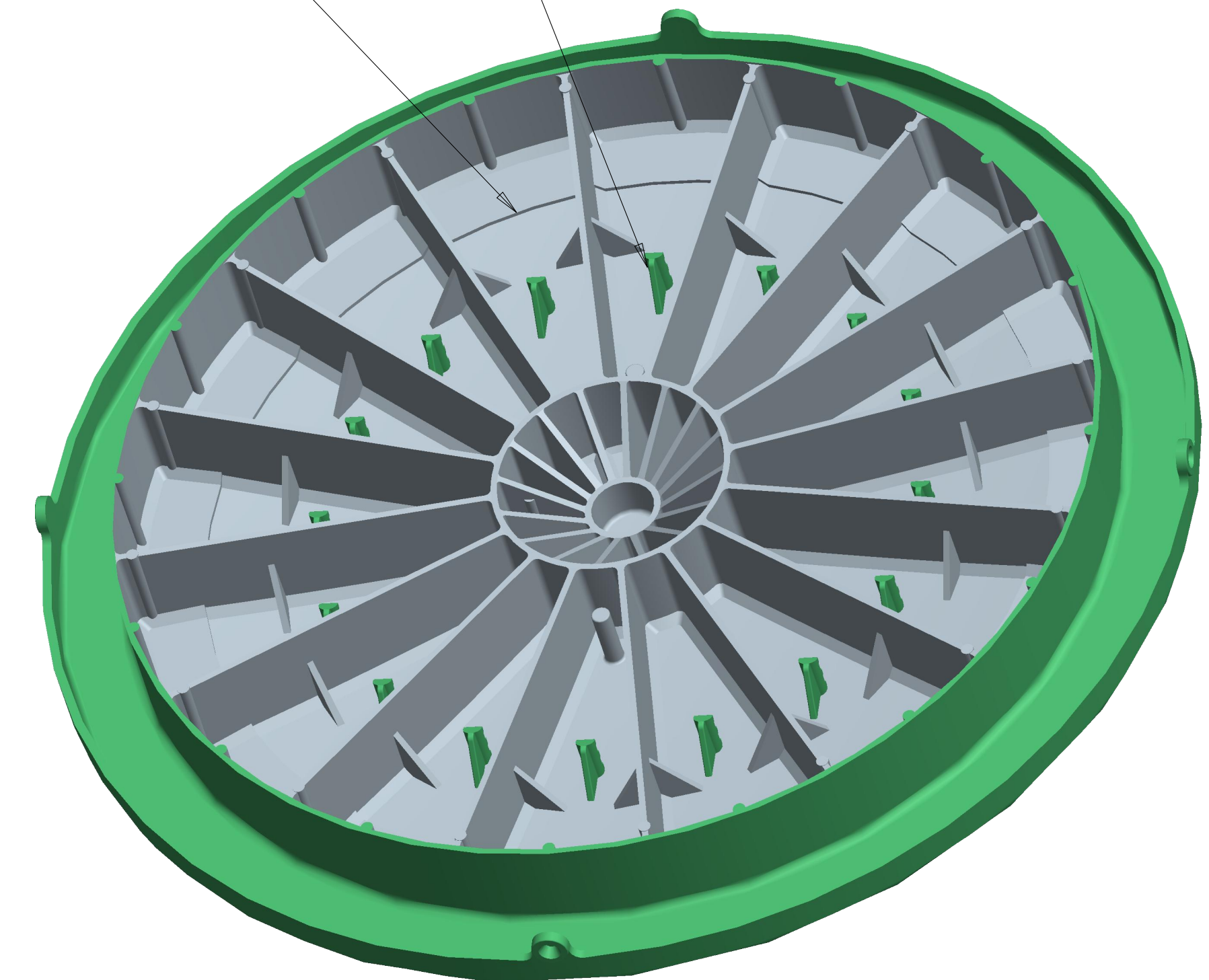
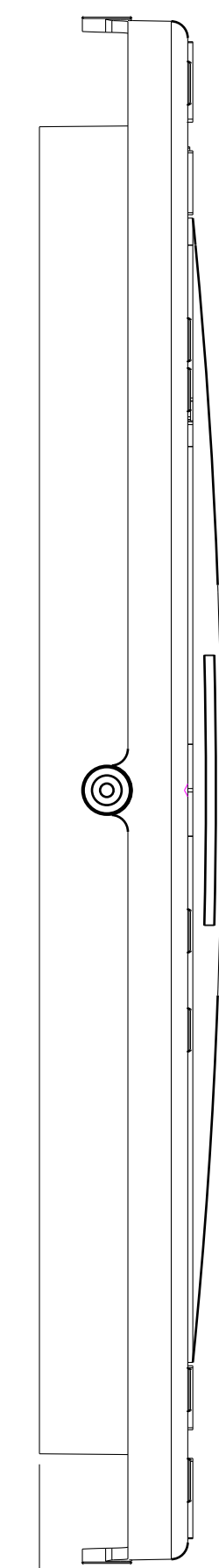
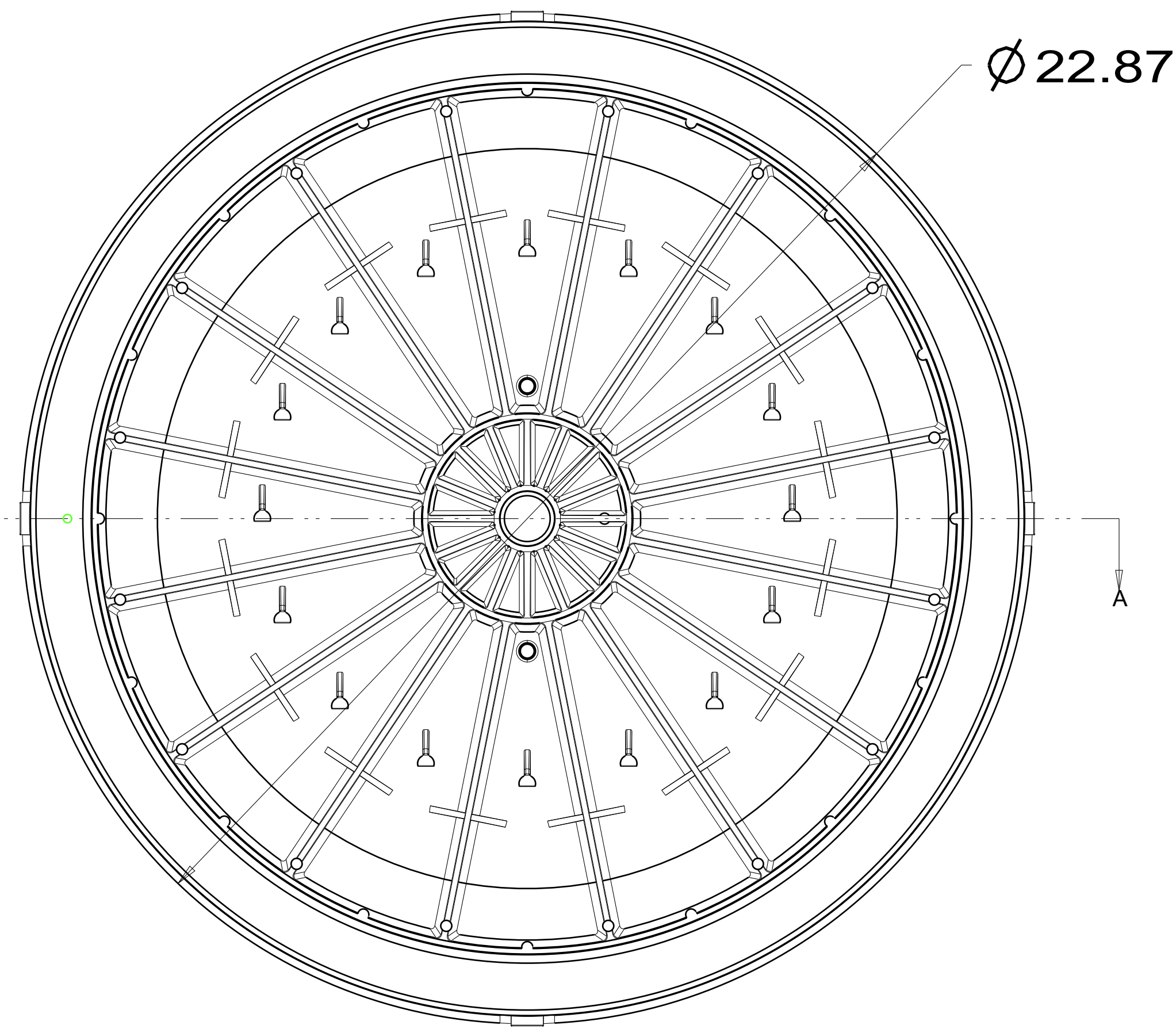


PERMANENT FOAMED-IN POLYURETHANE GASKET

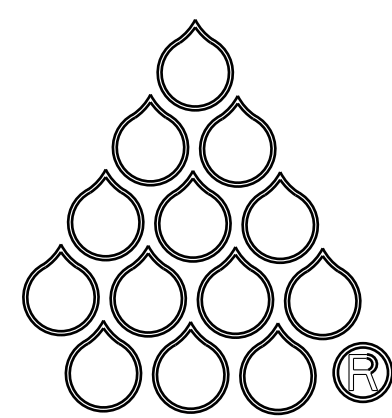
THIS AREA MAY BE FILLED WITH CONCRETE FOR ADDITIONAL WEIGHT



CONCRETE KEEPER™  
RETAINING HOOKS



Material: Copolymer Polypropylene  
Color: Green



**TUF-TITE®**

**Drainage and Septic Products**

(317) 346-4110

www.drainagesolutionsinc.com

PART NAME:

20" FLAT LID

PART#:

20-RISL-FLAT