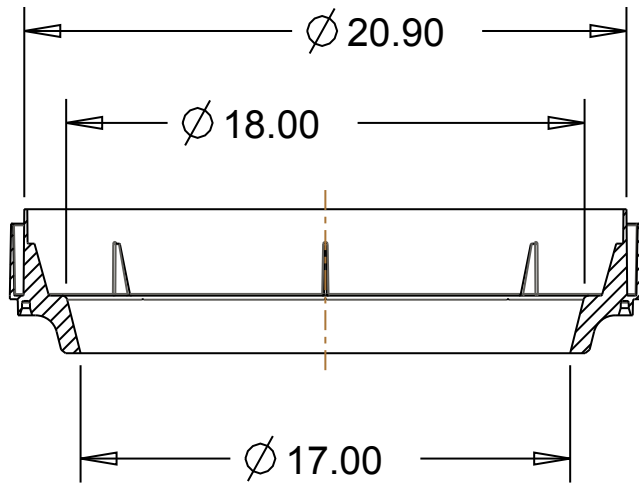




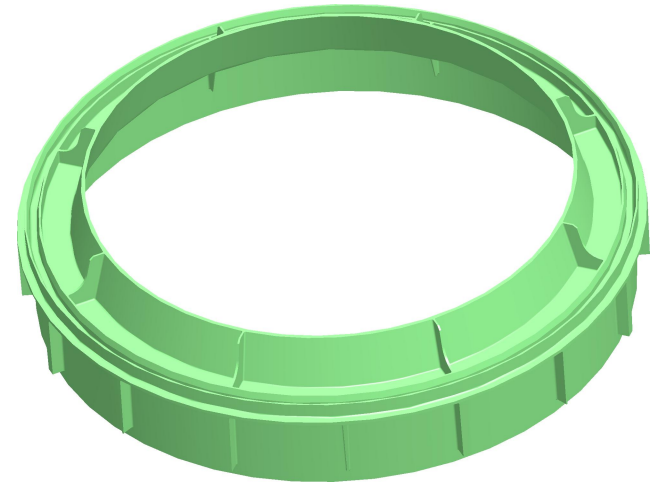
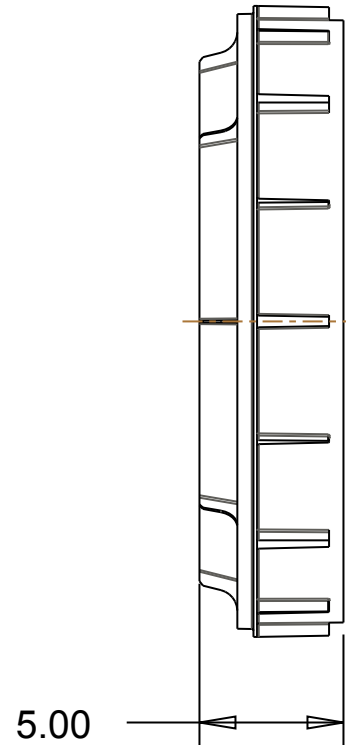
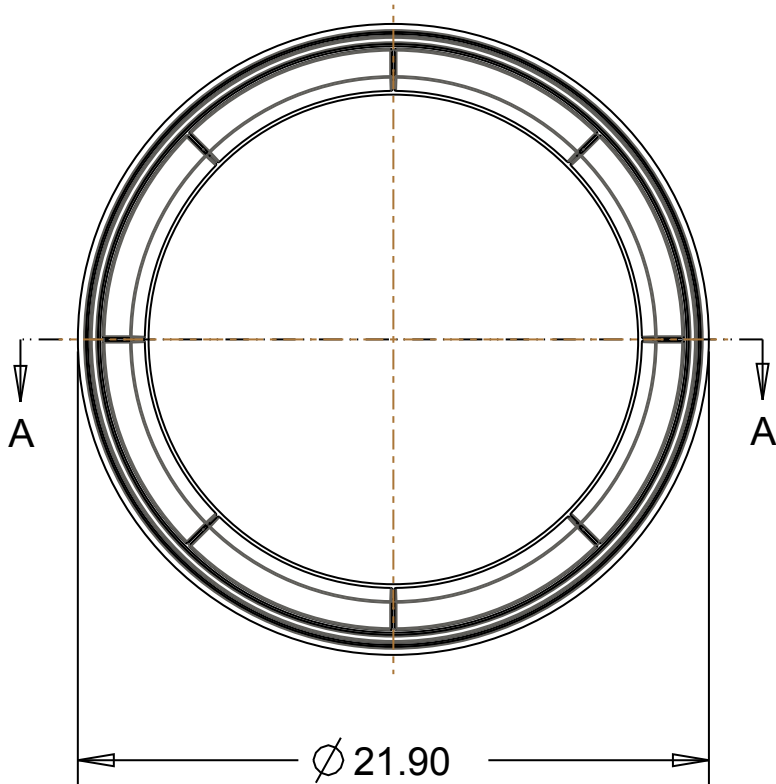
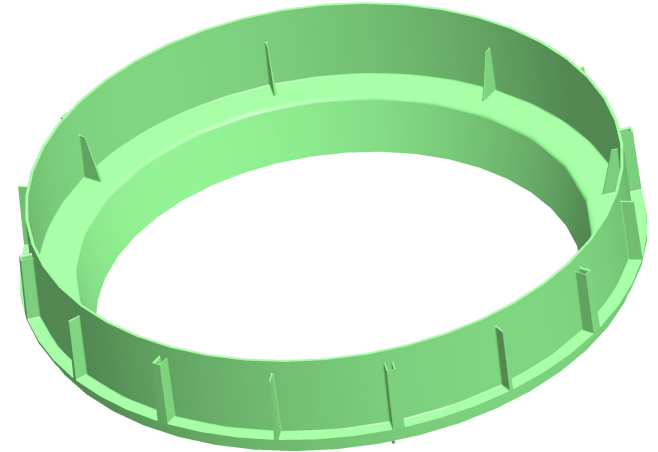
**DRAINAGE  
SOLUTIONS, INC**

(317) 346-4110

[www.drainagesolutionsinc.com](http://www.drainagesolutionsinc.com)



SECTION A-A



**Material: Copolymer Polypropylene  
Color: Green**



**Drainage and Septic Products**

(317) 346-4110

[www.drainagesolutionsinc.com](http://www.drainagesolutionsinc.com)

**PART NAME:**

**20" RISER PAN**

**PART #:**

**20-RISP-GREEN**