

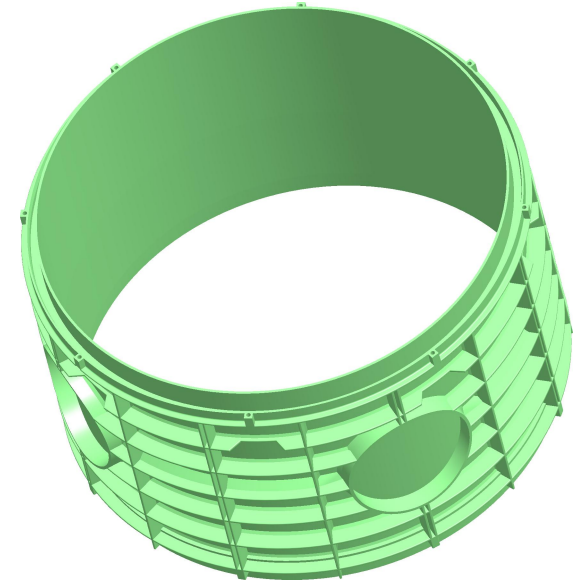
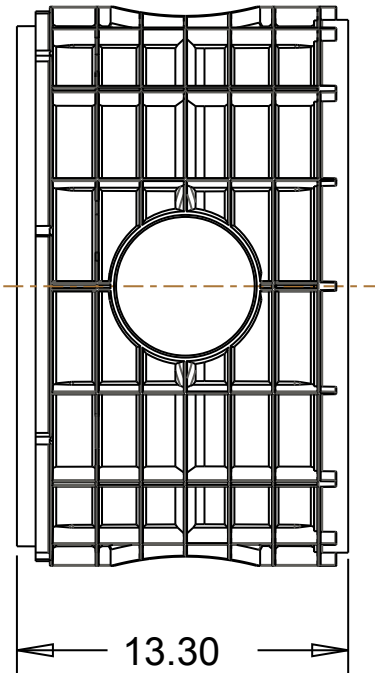
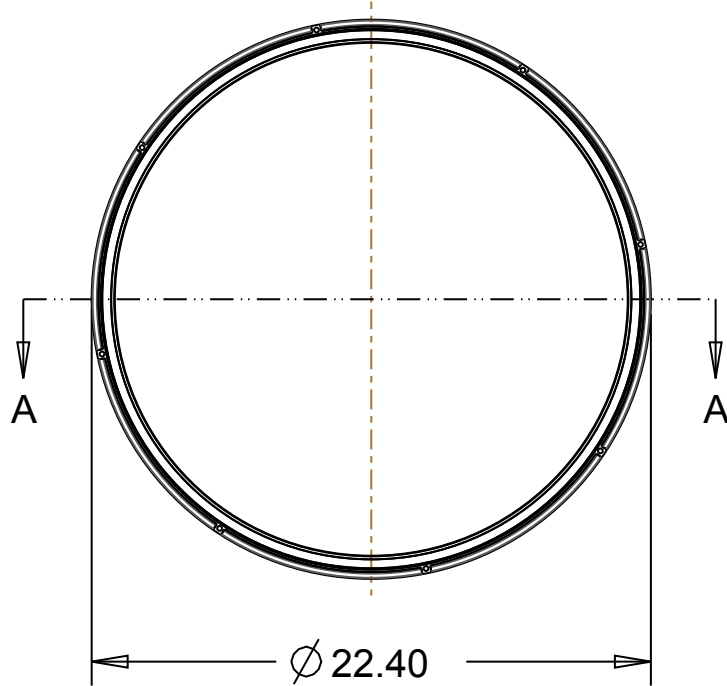
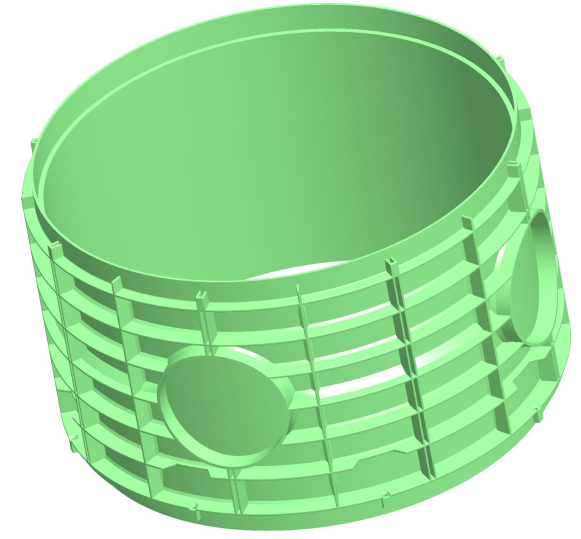
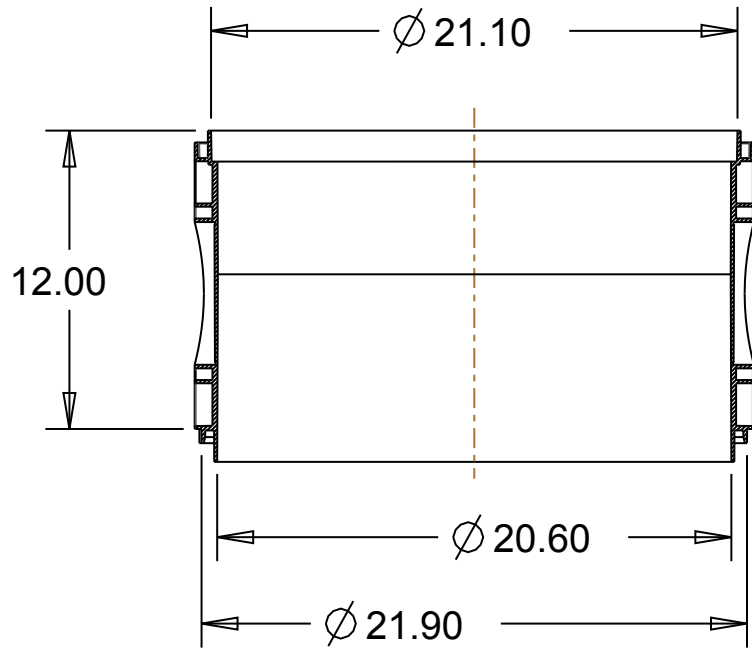


**DRAINAGE
SOLUTIONS, INC**

(317) 346-4110

www.drainagesolutionsinc.com

SECTION A-A



**Material: Copolymer Polypropylene
Color: Green**



Drainage and Septic Products

(317) 346-4110

www.drainagesolutionsinc.com

PART NAME:

20" X 12" RISER

PART #:

20 X 12 - RIS - GREEN