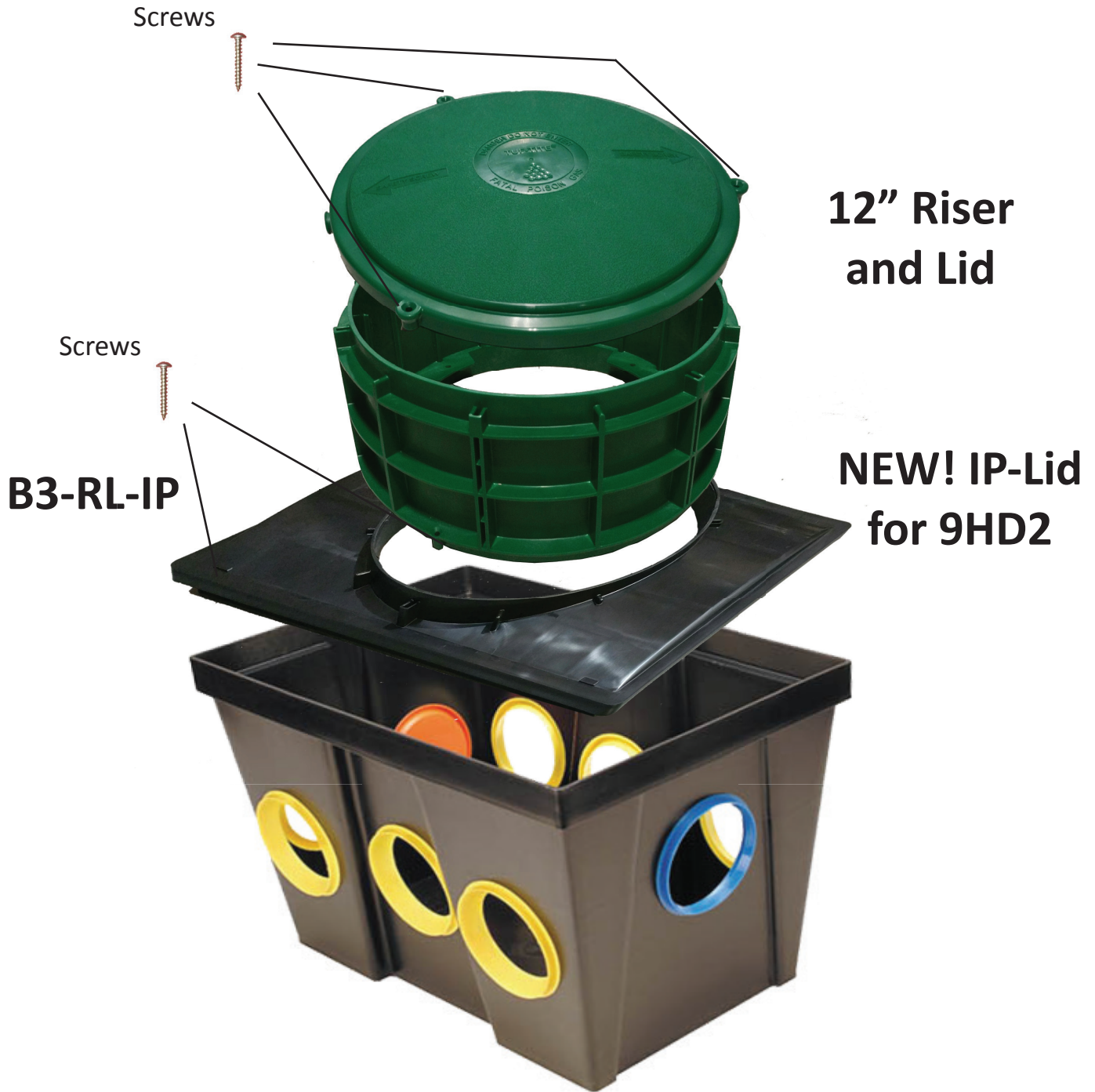




TUF-TITE®

DRAINAGE AND SEPTIC PRODUCTS

9HD2 with opening for Tuf-Tite 12" Riser and Lid



Drainage and Septic Products

Part Name:



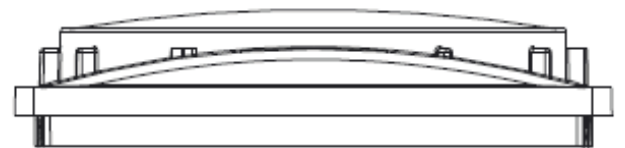
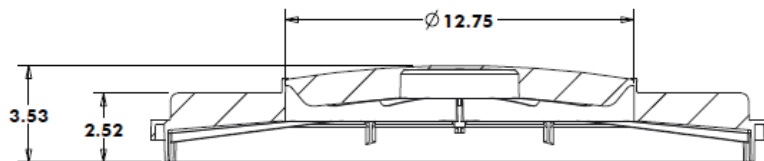
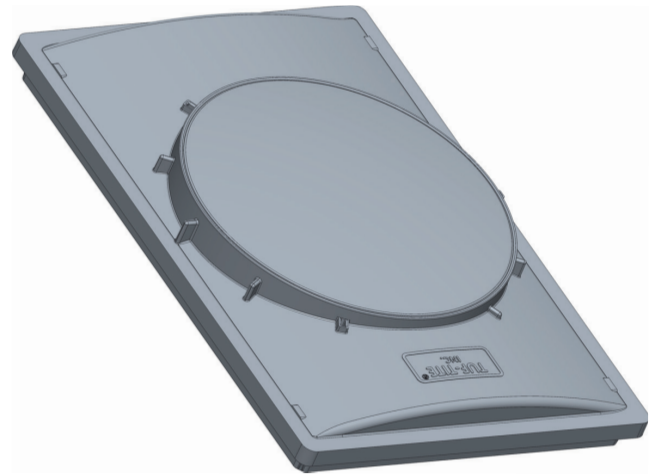
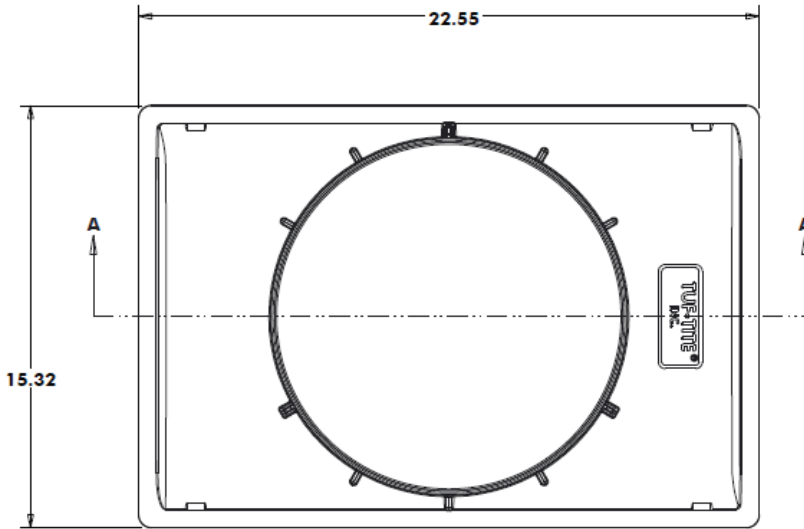
(317) 346-4110

Adaptor Lid

DRAINAGE SOLUTIONS, INC www.drainagesolutionsinc.com

Part #:

B3-RL-IP



Section A-A