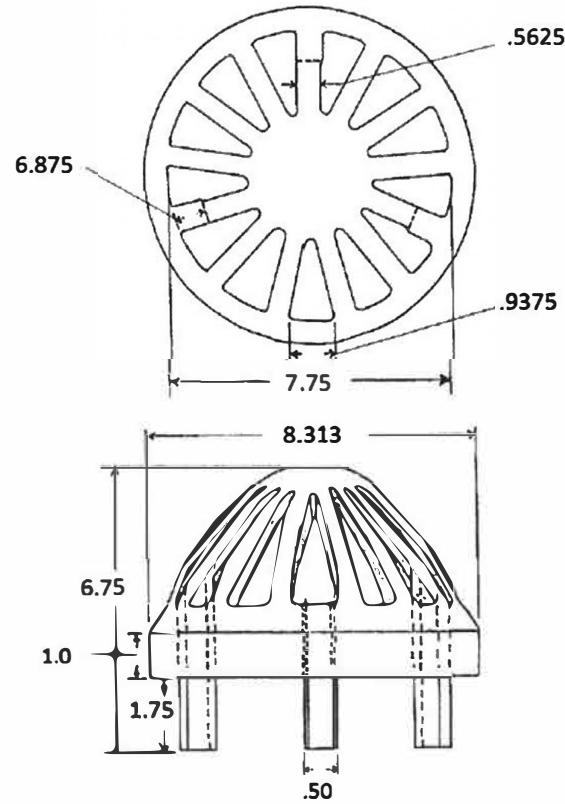




DRAINAGE SOLUTIONS, INC

(317) 346-4110

www.drainagesolutionsinc.com



NAME DATE
BKJ 5/14/2012

DRAWN
CHECKED
BNG APPR.
MFG APPR.
QA
COMMENTS

TITLE:

DD08 Drainage Dome

SIZE DWG. NO. REV

A DD08 Drainage Dome **A**

SCALE: WEIGHT: 3.0 SHEET 1 OF 1

PROPRIETARY AND CONFIDENTIAL

THE INFORMATION CONTAINED IN THIS DRAWING IS THE SOLE PROPERTY OF VICE BROTHERS. ANY REPRODUCTION IN PART OR AS A WHOLE WITHOUT THE WRITTEN PERMISSION OF VICE BROTHERS IS PROHIBITED.

MATERIAL
Aluminum 319

GROUND

DO NOT SCALE DRAWING

5

4

3

2

1