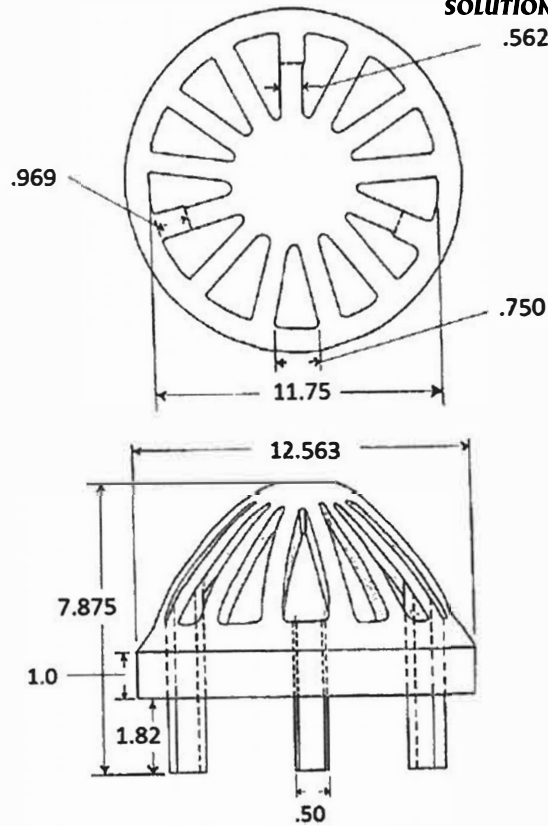




DRAINAGE SOLUTIONS, INC

(317) 346-4110
www.drainagesolutionsinc.com



NAME DATE
BKB 5/14/2012

DRAWN
CHECKED
ENG APPR.
MFG APPR.
Q.A.
COMMENTS

TITLE:

DD12 Drainage Dome

SIZE DWG. NO. REV
A DD12 Drainage Dome **A**
SCALE: WEIGHT: 5.5 SHEET 1 OF 1

PROPRIETARY AND CONFIDENTIAL
THE INFORMATION CONTAINED IN THIS DRAWING IS THE SOLE PROPERTY OF VICE BROTHERS. ANY REPRODUCTION IN PART OR AS A WHOLE WITHOUT THE WRITTEN PERMISSION OF VICE BROTHERS IS PROHIBITED.

MATERIAL
Aluminum 319
GROUND
DO NOT SCALE DRAWING

5

4

3

2

1