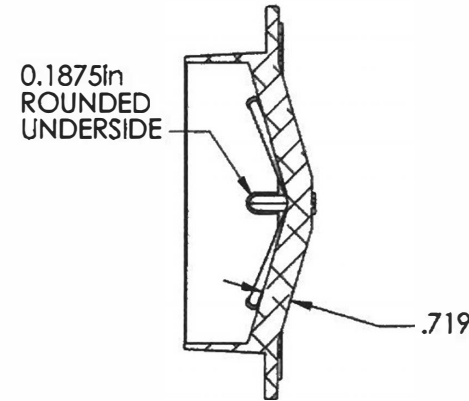
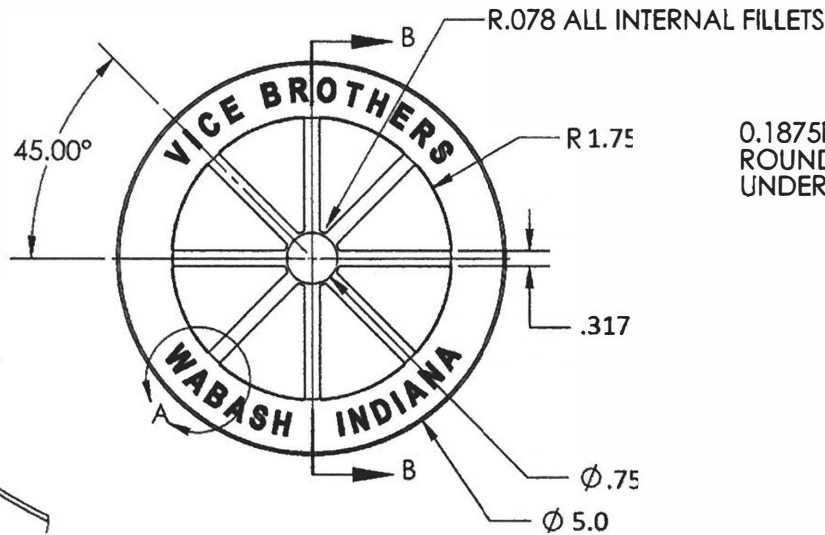
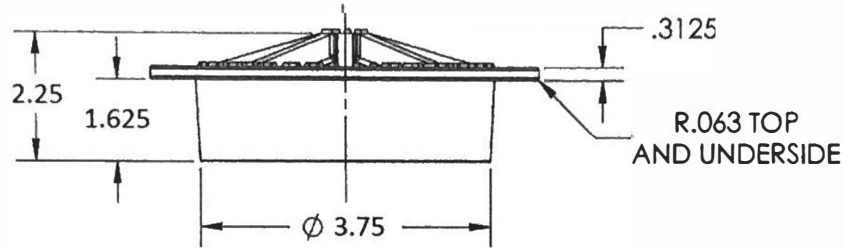




DRAINAGE SOLUTIONS, INC

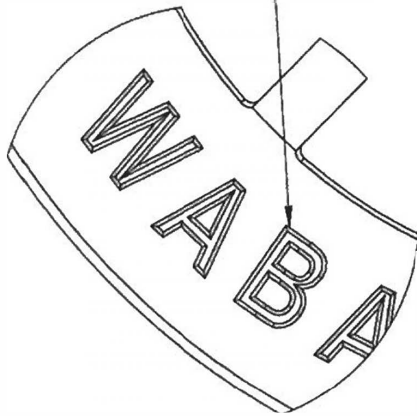
(317) 346-4110

www.drainagesolutionsinc.com



SECTION B-B

15° DRAFT
BOSS .09375"
HEIGHT .5625"
SPACE .0656



DETAIL A
SCALE 1 : 1

NAME DATE
BKB 5/14/2012

DRAWN
CHECKED
ENG APPR.
MFG APPR.
Q.A.
COMMENTS:

TITLE:

LC04 Low Cone

SIZE DWG. NO. REV
A LC04 Low Cone **A**

SCALE: WEIGHT: 1.1lb SHEET 1 OF 1

PROPRIETARY AND CONFIDENTIAL

THE INFORMATION CONTAINED IN THIS DRAWING IS THE SOLE PROPERTY OF VICE BROTHERS. ANY REPRODUCTION IN PART OR AS A WHOLE WITHOUT THE WRITTEN PERMISSION OF VICE BROTHERS IS PROHIBITED.

MATERIAL
Aluminum 319
GROUND

DO NOT SCALE DRAWING

