



DRAINAGE SOLUTIONS, INC

(317)346-4110

www.drainagesolutionsinc.com

Model S3-1

Order Verification Form

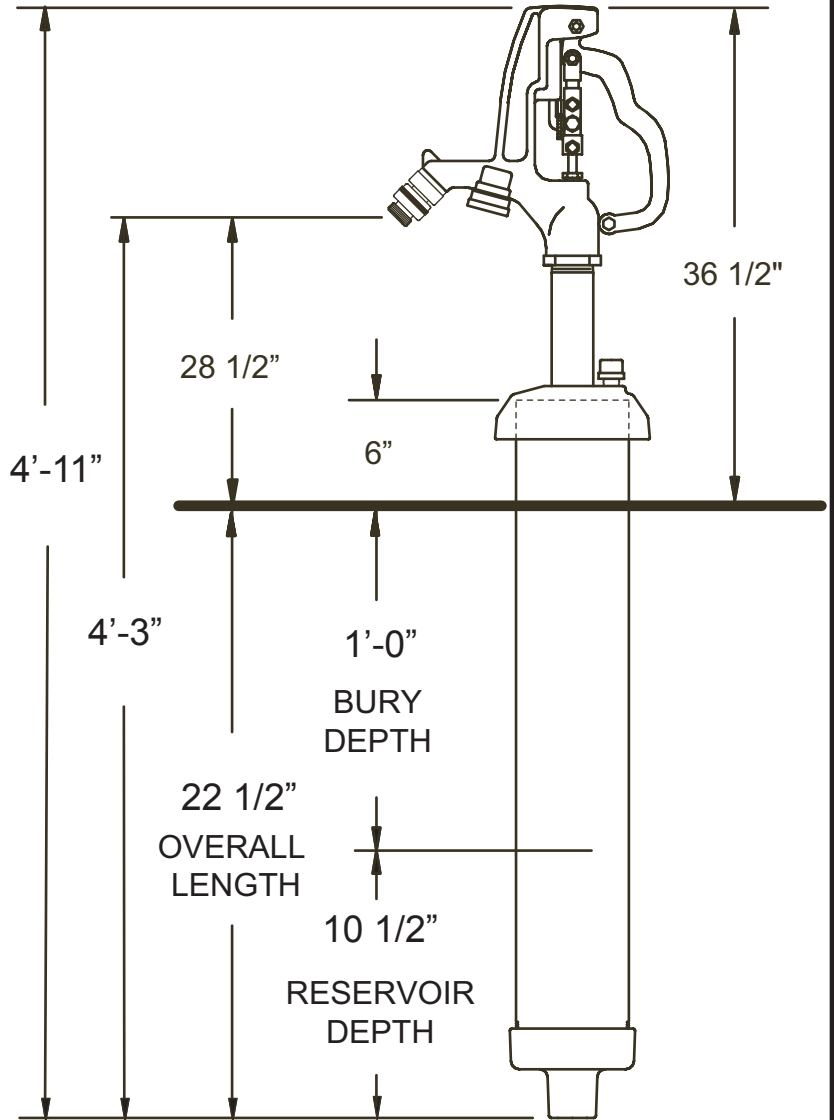
CUSTOMER.

VERIFICATION MUST BE RECEIVED BEFORE ORDER CAN BE ENTERED FOR SHIPMENT.

PLEASE SIGN TO VERIFY S3-1 FT. BURY MEETS YOUR REQUIREMENTS.

Customer Signature

Please print name and return to Woodford Mfg. FAX: 800-765-4115



WOODFORD MANUFACTURING COMPANY, LLC.

2121 Waynoka Road, Colorado Springs, Colorado 80915 • Phone: (800) 621-6032 • Fax: (800) 765-4115

To view our complete product line visit: www.woodfordmfg.com or email: sales@woodfordmfg.com