



(317)346-4110

DRAINAGE SOLUTIONS, INC www.drainagesolutionsinc.com

Model S3-6

Order Verification Form

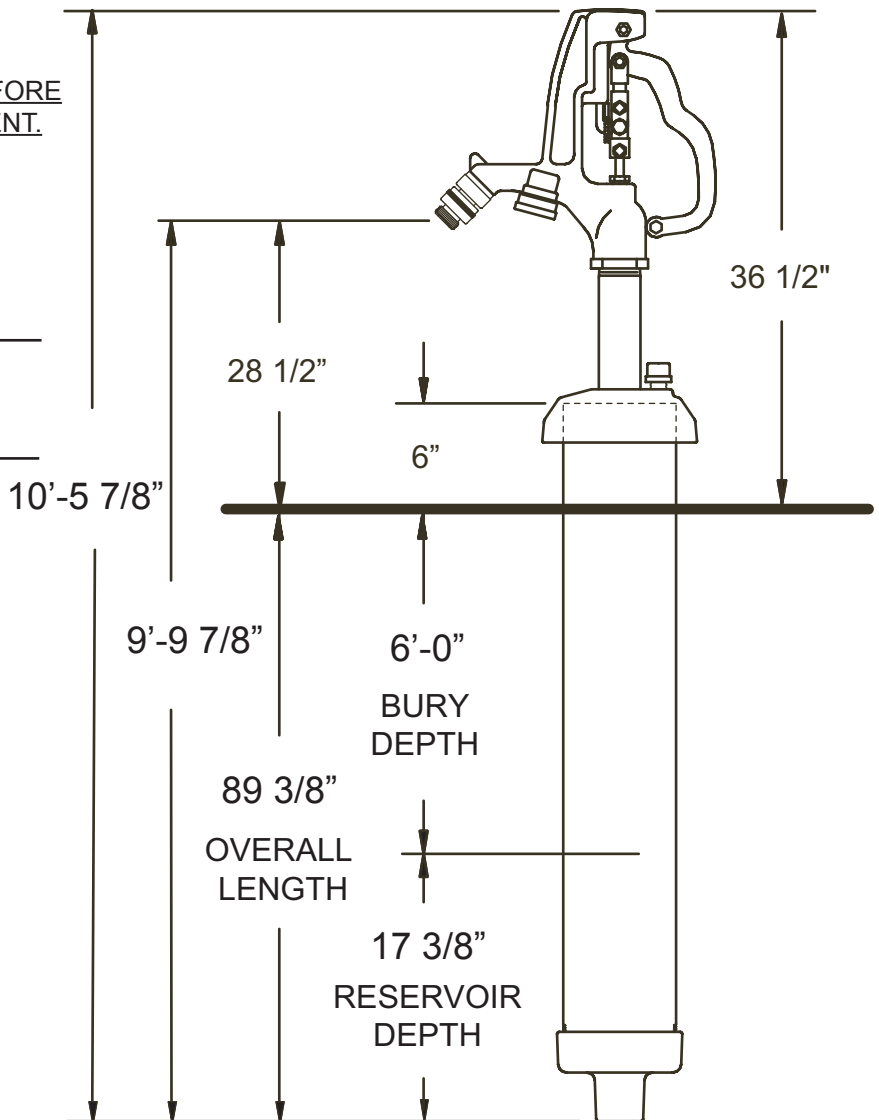
CUSTOMER,

VERIFICATION MUST BE RECEIVED BEFORE ORDER CAN BE ENTERED FOR SHIPMENT.

PLEASE SIGN TO VERIFY S3-6FT. BURY MEETS YOUR REQUIREMENTS.

Customer Signature

Please print name and return to Woodford Mfg. FAX: 800-765-4115



WOODFORD MANUFACTURING COMPANY, LLC.

Sales Office:

2121 Waynoka Road, Colorado Springs, Colorado 80915

Phone:

(800) 621-6032

Fax: (800) 765-4115