



(317)346-4110

**DRAINAGE SOLUTIONS, INC** www.drainagesolutionsinc.com



IOWA® hydrants are intended for irrigation purposes and used for filling field spray equipment, cleaning tools and equipment, lawn and garden care, watering livestock - immediate water flow even in sub zero temperatures.

**Specifications:**

**Female Inlet:** Model Y34 - 3/4" NPT  
Model Y1 - 1" NPT

**Casing:** Model Y34 - 1" Galvanized Steel Pipe  
Model Y1 - 1 1/4" Galvanized Steel Pipe

**Operating Rod:** 3/8" Stainless Steel Pipe

**Drain Hole:** Tapped - 1/8" N.P.T.

**Removable Nozzle:** 3/4" Brass Male Hose Nozzle

**Optional At Additional Cost:**

- 1" Brass Pipe Outer Casing
- 3/8" Brass Pipe Operating Pipe
- Y34 ONLY:
  - 1" Stainless Steel Outer Casing
  - 1" NPSH Hose Nozzle

**Features:**

- **Adjustable Link** - Provides easy and positive adjustment of the lever lock tension.
- **Rod Guide** - Eliminates side pull on rod, reduces wear on packing, packing nut & stem.
- **Flow Finder and Lock** - A simple cam that can be set to automatically obtain the same flow each time or lock against accidental opening.
- **Long Life Packing** - Graphite packing for lubricity and long life.
- **One Piece Variable Flow Plunger** - Large cushion type seal for longer life - is not easily damaged and assures shut-off even when foreign particles are present. Automatic drain feature - plunger opens drain to prevent freezing - closes at any flow to prevent wasting water.
- **Maintenance & Repair** - Woodford has manufactured the IOWA® hydrant since 1929, and although many improvements have been made through the years, all parts are interchangeable. All repairs can be made from top of unit without removing hydrant from the ground.
- **Maximum Working Pressure:** 125 p.s.i.
- **Maximum Temperature:** 120° F

**SHIPPING WEIGHT**

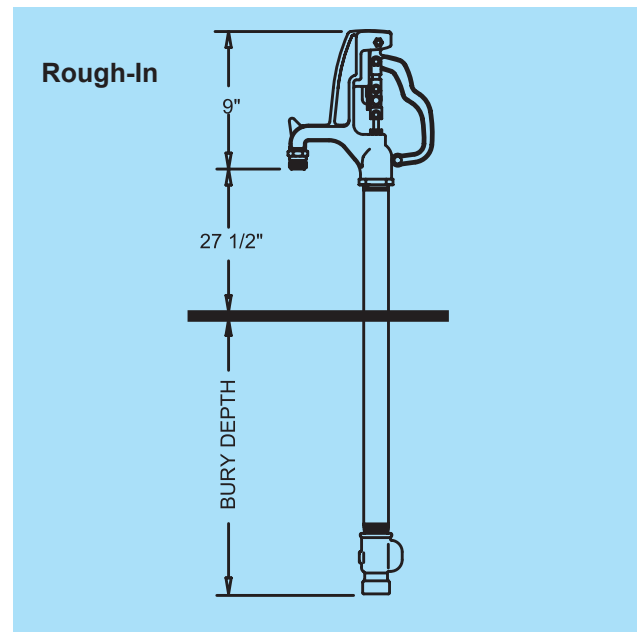
Bury Depth (Ft)	1	2	3	4	5	6*	7*
Model Y34 (Lbs)	15	17	19	22	24	26	28
Model Y1 (Lbs)	18	20	22	25	28	31	34

\*Must ship by truck line due to length.

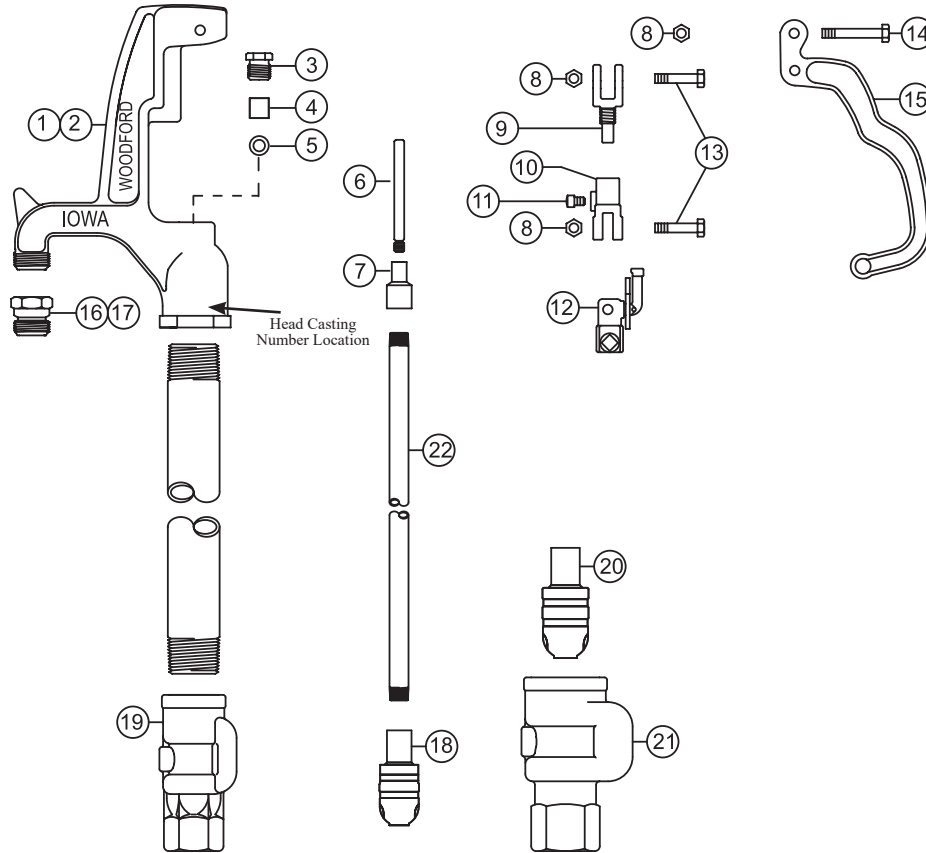
**For Installation / Troubleshooting Instructions go to [www.woodfordmfg.com](http://www.woodfordmfg.com) or call 1-800-621-6032**

# Freezeless IOWA® Yard Hydrant Model Y34 & Y1

Galvanized Steel Pipe Standard  
Optional Add SS - Stainless Steel  
Optional Add BR - Brass



**When ordering, specify model and bury depth.**



ITEM	PART#	DESCRIPTION
	RK-Y34HA	Repair Kit Y34 Head Assembly - Head Casting #106 (Includes Items 1, 3-16) Replaces Part 15003
	RK-Y1HA	Repair Kit Y1 Head Assembly - Head Casting #105 (Includes Items 2, 3-16) Replaces Part 15001
1	15004	Y34 Head with 3/4" Nozzle - Head Casting #106
2	15002	Y1 Head with 3/4" Nozzle - Head Casting #105
3	10100	Packing Nut
4	10101	Packing
5	10102	Packing Support Washer
6	10104	Brass Rod Stem
7	10011	Reducing Coupling
8	10206	Hex Nut (3)
9	10009	Upper Link
10	15007	Lower Link (Includes Item 11)
11	10019	Set Screw (2)
12	15008	Cam & Clevis Assembly
13	10020	Link Bolt (2)
14	10021	Lever Bolt
15	10008	Lever
16	10004	3/4" Brass Hose Nozzle (Standard)
17	10007	1" Brass Hose Nozzle (Optional)
18	10105	Y34 Plunger
19	10018	Y34 Valve Body (3/4" NPT Inlet)
20	10106	Y1 Plunger
21	10017	Y1 Valve Body (1" NPT Inlet)

ITEM	PART#	DESCRIPTION
22	<b>Y34 &amp; Y1 OPERATING PIPE (Bury Depth &amp; Length)</b>	
	10023	1' Bury (35 1/2" Long)
	10024	2' Bury (47 1/2" Long)
	10025	3' Bury (59 1/2" Long)
	10026	4' Bury (71 1/2" Long)
	10027	5' Bury (83 1/2" Long)
	10028	6' Bury (95 1/2" Long)
	10029	7' Bury (107 1/2" Long)
	10030	8' Bury (119 1/2" Long)
	10089	9' Bury (131 1/2" Long)
	10090	10' Bury (143 1/2" Long)
	RK-Y34	Repair Kit (Includes Items 3-6 & 18) Head Casting #106
	RK-Y1	Repair Kit (Includes Items 3-6 & 20) Head Casting #105
	RK-YHL	Repair Kit (Includes Items 8-14)

For more information contact...

## WOODFORD MANUFACTURING COMPANY, LLC

2121 Waynoka Road, Colorado Springs, Colorado 80915 • Phone: (800) 621-6032 • Fax: (800) 765-4115  
To view our complete product line visit: [www.woodfordmfg.com](http://www.woodfordmfg.com) or email: [sales@woodfordmfg.com](mailto:sales@woodfordmfg.com)