

Trusted. Tested. Tough.®

Product information presented here reflects conditions at time of publication. Consult factory regarding discrepancies or inconsistencies.



DRAINAGE SOLUTIONS, INC

(317) 346-4110

www.drainagesolutionsinc.com

SECTION: 2.15.060

FM2782

0222

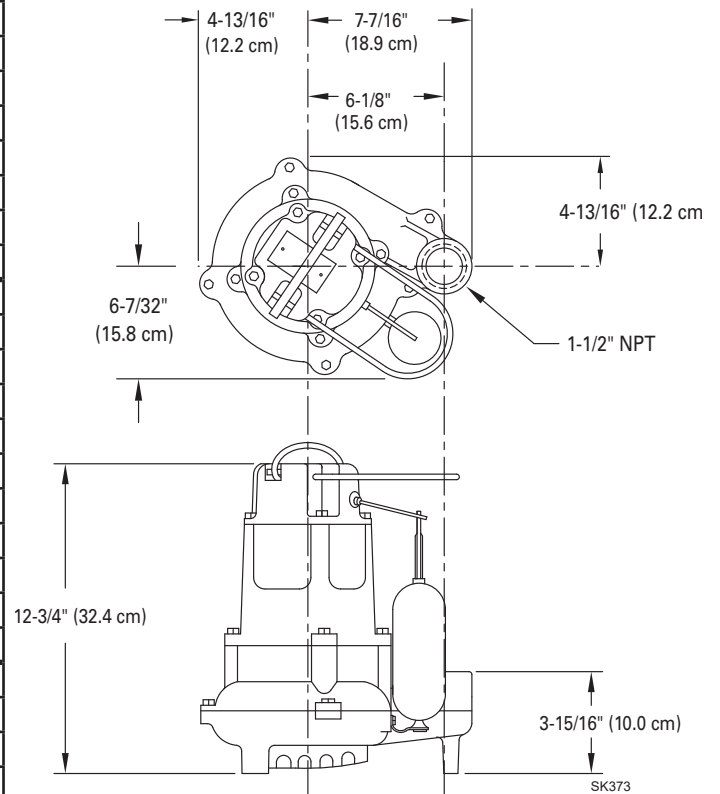
Supersedes

0220

TECHNICAL DATA SHEET FLOW-MATE SERIES Models 137, 139 Effluent / Dewatering Pumps

PRODUCT SPECIFICATIONS

MOTOR	Horse Power	1/2
	Voltage	115 - 460
	Phase	1 or 3 Ph
	Hertz	60 Hz
	RPM	1725 RPM
	Type	Split phase or 3 phase
	Insulation	Class B
	Amps	2 - 10.5
PUMP	Operation	Automatic or nonautomatic
	Auto On/Off Points	10" (25.4 cm) / 2-3/4" (7 cm)
	Discharge Size	1-1/2" NPT
	Solids Handling	5/8" (15 mm) spherical solids
	Cord Length	10' (3 m) automatic, 15' (5 m) nonautomatic
	Cord Type	UL listed, neoprene cord
	Max. Head	26' (8 m)
	Max. Flow Rate	93 GPM (352 LPM)
	Max. Operating Temp.	130° F (54° C) [extra duty 140°F (60°C)]
	Cooling	Oil filled
	Motor Protection	Auto reset thermal overload (1 Ph)
MATERIALS	Motor Housing	Cast iron (137) or bronze (139)
	Pump Housing	Cast iron (137) or bronze (139)
	Base	Cast iron (137) or bronze (139)
	Upper Bearing	Sleeve bearing
	Lower Bearing	Sleeve bearing
	Mechanical Seals	Carbon and ceramic
	Impeller Type	Non-clogging vortex
	Impeller	Cast iron or bronze
	Hardware	Stainless steel
	Motor Shaft	AISI 1215 cold rolled steel
	Gasket	Neoprene



NOTE: See model comparison chart for specific details.

Made In The USA.

Using a majority of U.S. components.

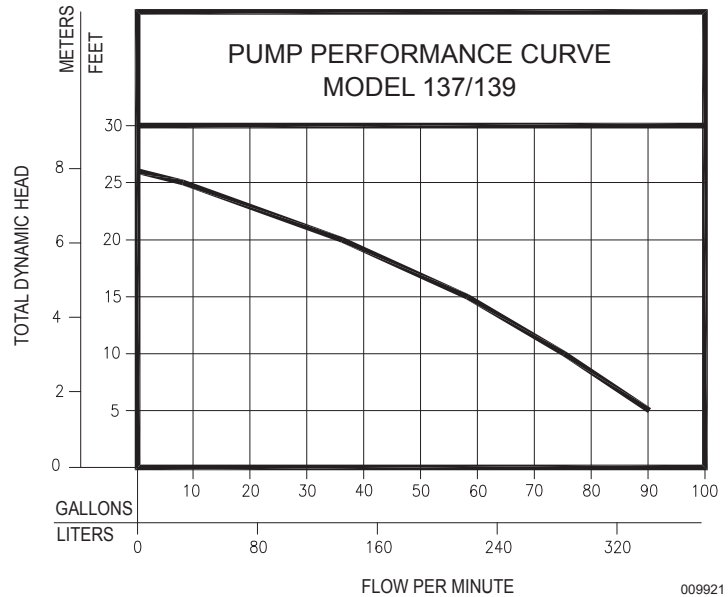


© Copyright 2022 Zoeller® Co. All rights reserved.

502-778-2731 | 800-928-7867 | 3649 Cane Run Road | Louisville, KY 40211-1961 | zoellerpumps.com

TOTAL DYNAMIC HEAD FLOW PER MINUTE

MODEL		137/139	
Feet	Meters	Gal.	Liters
5	1.5	90	340
10	3.0	75	284
15	4.6	58	220
20	6.1	36	136
25	7.6	8	30
Shut-off Head:		26 ft.(8.0m)	



Model	MODEL COMPARISON											CERTIFICATIONS
	Seal	Mode	Volts	Ph	Amps	HP	Hz	Lbs	Kg	Simplex	Duplex	CSA
M137	Single	Auto	115	1	9.4	1/2	60	47	21	1	4	Y
N137	Single	Non	115	1	9.4	1/2	60	46	21	2 or 3	2 or 4	Y
BN137	Single	Auto	115	1	9.4	1/2	60	48	22	**	4	Y
D137	Single	Auto	230	1	4.7	1/2	60	47	21	1	4	Y
E137	Single	Non	230	1	4.7	1/2	60	48	22	2 or 3	4	Y
* H137	Single	Auto	200	1	6.2	1/2	60	48	22	1	4	Y
* I137	Single	Non	200	1	6.2	1/2	60	48	22	3	4	Y
* J137	Single	Non	200	3	3.6	1/2	60	46	21	3	4	Y
* F137	Single	Non	230	3	3.3	1/2	60	48	22	3	4	Y
* G137	Single	Non	460	3	2.0	1/2	60	48	22	3	4	N
BE137	Single	Auto	230	1	4.7	1/2	60	48	22	**	---	Y
M139	Single	Auto	115	1	10.5	1/2	60	51	23	1	4	Y
N139	Single	Non	115	1	10.5	1/2	60	51	23	2 or 3	2 or 4	Y
D139	Single	Auto	230	1	4.7	1/2	60	47	21	1	4	Y
E139	Single	Non	230	1	4.7	1/2	60	48	22	2 or 3	4	Y
*H139	Single	Auto	200	1	6.2	1/2	60	48	22	1	4	Y
*I139	Single	Non	200	1	6.2	1/2	60	48	22	3	4	Y
*J139	Single	Non	200	3	4.0	1/2	60	50	23	3	4	Y
*F139	Single	Non	230	3	4.0	1/2	60	48	22	3	4	Y
*G139	Single	Non	460	3	2.0	1/2	60	48	22	3	4	N

* No molded plug

** Single piggyback switch included

BE and BN models include a piggyback variable level pump switch.

SELECTION GUIDE

1. Integral float-operated mechanical switch, no external control required.
2. For automatic, use single piggyback variable level float switch or double piggyback variable level float switch. Refer to FM0477.
3. See FM1228 for correct model of simplex control panel.
4. See FM0712 for correct model of duplex control panel or FM1663 for a residential alternator system.

CAUTION

All installation of controls, protection devices and wiring should be done by a qualified licensed electrician. All electrical and safety codes should be followed including the most recent National Electrical Code (NEC) and the Occupational Safety and Health Act (OSHA).