

Trusted. Tested. Tough.®

Product information presented here reflects conditions at time of publication. Consult factory regarding discrepancies or inconsistencies.



DRAINAGE SOLUTIONS, INC

(317)346-4110

www.drainagesolutionsinc.com



MAIL TO: P.O. BOX 16347 • Louisville, KY 40256-0347
SHIP TO: 3649 Cane Run Road • Louisville, KY 40211-1961
TEL: (502) 778-2731 • 1 (800) 928-PUMP • FAX: (502) 774-3624

SECTION: 2.75.075

FM1426

0722

Supersedes

0721

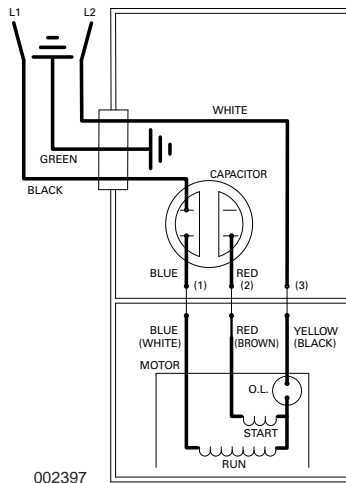
Visit our website:
zoellerpumps.com

REPLACEMENT PARTS LIST FOR MODELS: SCREW IN STATOR MOTOR DESIGN FOR GLUE-IN STATOR MOTOR DESIGN (SEE PAGE 8)

N140 NONAUTOMATIC 115V
E140 NONAUTOMATIC 230V
N4140 NONAUTOMATIC 115V
E4140 NONAUTOMATIC 230V
N145 NONAUTOMATIC 115V
E145 NONAUTOMATIC 230V
N4145 NONAUTOMATIC 115V
E4145 NONAUTOMATIC 230V

TO ORDER REPLACEMENT PARTS
PLEASE FURNISH THE FOLLOWING INFORMATION:

- Model number
- Part number of pump
- Part number and description of part



002397

WIRING DIAGRAM FOR MODELS
"N140-G, E140-G, N4140-G
E4140-G, N145-B, E145-B, N4145-B,
E4145-B"
01/20 thru Current

REPLACEMENT PARTS LIST FOR SINGLE SEAL MODELS "N140" AND "E140"

See page 6 for illustration.

REF NO.	Kit	DESCRIPTION	NOTES	QTY	N140-G 01/20 thru CURRENT.	E140-G 01/20 thru CURRENT.
1		HANDLE		1	267032	267032
2		CASE ASSEMBLY		1	267051	267051
3	*	CASE GASKET		1	267007	267007
4		POWER CORD - 115V	3	1	011551	N/A
		POWER CORD - 230V			N/A	003618
5	*	CORD SEAL ASSEMBLY		1	156778	156778
6		MOTOR HOUSING ASSEMBLY		1	156811	156811
7		STATOR ASSEMBLY - 115V	3	1	156808	N/A
		STATOR ASSEMBLY - 230V			N/A	156812
8		ROTOR & BEARING ASSEMBLY		1	156777	156777
9	*	ROTOR BEARING		1	009540	009540
10	*	21.5 Oz OIL CAN		1	010330	010330
11		12 Oz OIL CAN		N/A	N/A	N/A
12	*	SHAFT SEAL ASSEMBLY		1	011681	011681
13	*	MOTOR HOUSING SEAL		1	034007	034007
14		BASE		1	156996	156996
15		HANDLE RETAINERS		2	267053	267053
16	*	WIRE PACK		1	011548	011548
17		CAPACITOR ASSEMBLY		1	156807	156807
18		ADAPTER		N/A	N/A	N/A
19		PUMP HOUSING		1	155398	155398
20		IMPELLER		1	014240	014240
21	*	TEST PLUG		2	034090	034090
22	*	SCREW - CASE (1/4-20X3/4)		4	001916	001916
23	*	SCREW - BASE (10-24 X3/4)		4	001885	001885
24	*	SCREW - RETAINER (10-24 X3/8)		2	001883	001883
25	*	SCREW - GROUND & CAPACITOR (6-32X1/4)		2	001877	001877
26	*	THRU WALL TERMINAL		3	003402	003402
27		SNAP RING & WASHER		N/A	N/A	N/A
28	*	SCREW - MOTOR HOUSING (1/4-20X7/8)		4	012491	012491
29	*	SCREW - STATOR (8-32 X 4-9/32)		2	155319	155319
<input type="checkbox"/>		REBUILD KIT		1	156775	156775

* Items included in Rebuild kit. Not shown on illustration

Service parts notes:

- 1) If an "X" follows model no., or date mfg. on brass ID tag, consult factory for ordering any parts.
- 2) See FM0160 Parts Price Sheet for listing of parts prices.
- 3) "N/A" indicates not applicable.

REPLACEMENT PARTS LIST FOR DOUBLE SEAL MODELS "N4140" AND "E4140"

See page 6 for illustration.

REF NO.	Kit	DESCRIPTION	NOTES	QTY	N4140-G 01/20 thru CURRENT.	E4140-G 01/20 thru CURRENT.
1		HANDLE		1	267032	267032
2		CASE ASSEMBLY		1	267051	267051
3	*	CASE GASKET		1	267007	267007
4		POWER CORD - 115v	3	1	011551	N/A
		POWER CORD - 230V			N/A	003618
5	*	CORD SEAL ASSEMBLY		1	156778	156778
6		MOTOR HOUSING ASSEMBLY		1	156811	156811
7		STATOR ASSEMBLY - 115V	3	1	156808	N/A
		STATOR ASSEMBLY - 230V			N/A	156812
8		ROTOR & BEARING ASSEMBLY		1	156814	156814
9	*	ROTOR BEARING		1	009540	009540
10	*	28 Oz OIL CAN		1	010331	010331
11	*	12 Oz OIL CAN		1	010158	010158
12	*	SHAFT SEAL ASSEMBLY		2	011681	011681
13	*	MOTOR HOUSING & ADAPTER SEAL		1	034007	034007
14		BASE		1	156996	156996
15		HANDLE RETAINERS		2	267053	267053
16	*	WIRE PACK		1	011548	011548
17		CAPACITOR ASSEMBLY		1	156807	156807
18		ADAPTER		1	156813	156813
19		PUMP HOUSING		1	155741	155741
20		IMPELLER		1	014240	014240
21	*	TEST PLUG		3	034090	034090
22	*	SCREW - CASE (1/4-20X3/4)		4	001916	001916
23	*	SCREW - BASE (10-24 X3/4)		4	001885	001885
24	*	SCREW - RETAINER (10-24 X3/8)		2	001883	001883
25	*	SCREW - GROUND & CAPACITOR (6-32X1/4)		2	001877	001877
26	*	THRU WALL TERMINAL		3	003402	003402
27	*	SNAP RING & WASHER		1	010167	010167
28	*	SCREW - MOTOR HOUSING & ADAPTER (1/4-20X7/8)		8	012491	012491
29	*	SCREW - STATOR (8-32 X 4-9/32)		2	155319	155319
<input type="checkbox"/>		REBUILD KIT		1	156776	156776

* Items included in Rebuild kit. Not shown on illustration

Service parts notes:

- 1) If an "X" follows model no., or date mfg. on brass ID tag, consult factory for ordering any parts.
- 2) See FM0160 Parts Price Sheet for listing of parts prices.
- 3) "N/A" indicates not applicable.

REPLACEMENT PARTS LIST FOR SINGLE SEAL MODELS "N145" AND "E145"

See page 7 for illustration.

REF NO.	Kit	DESCRIPTION	NOTES	QTY	N145-B 01/20 thru CURRENT.	E145-B 01/20 thru CURRENT.
1		HANDLE		1	267032	267032
2		CASE ASSEMBLY		1	267051	267051
3	*	CASE GASKET		1	267007	267007
4		POWER CORD - 115V	3	1	011551	N/A
		POWER CORD - 230V			N/A	003618
5	*	CORD SEAL ASSEMBLY		1	156778	156778
6		MOTOR HOUSING ASSEMBLY		1	156811	156811
7		STATOR ASSEMBLY - 115V	3	1	156808	N/A
		STATOR ASSEMBLY - 230V			N/A	156812
8		ROTOR & BEARING ASSEMBLY		1	156777	156777
9	*	ROTOR BEARING		1	009540	009540
10	*	21.5 Oz OIL CAN		1	010330	010330
11		12 Oz OIL CAN		N/A	N/A	N/A
12	*	SHAFT SEAL ASSEMBLY		1	011681	011681
13	*	MOTOR HOUSING SEAL		1	034007	034007
14		BASE		1	019052	019052
15		HANDLE RETAINERS		2	267053	267053
16	*	WIRE PACK		1	011548	011548
17		CAPACITOR ASSEMBLY		1	156807	156807
18		ADAPTER		N/A	N/A	N/A
19		PUMP HOUSING		1	155398	155398
20		IMPELLER W-SHIMS		1	153495	153495
21	*	TEST PLUG		2	034090	034090
22	*	SCREW - CASE (1/4-20X3/4)		4	001916	001916
23	*	SCREW - BASE (10-24 X3/4)		4	001885	001885
24	*	SCREW - RETAINER (10-24 X3/8)		2	001883	001883
25	*	SCREW - GROUND & CAPACITOR (6-32X1/4)		2	001877	001877
26	*	THRU WALL TERMINAL		3	003402	003402
27		SNAP RING & WASHER		N/A	N/A	N/A
28	*	SCREW - MOTOR HOUSING (1/4-20X7/8)		4	012491	012491
29	*	SCREW - STATOR (8-32 X 4-9/32)		2	155319	155319
<input type="checkbox"/>		REBUILD KIT		1	156775	156775

* Items included in Rebuild kit. Not shown on illustration

Service parts notes:

- 1) If an "X" follows model no., or date mfg. on brass ID tag, consult factory for ordering any parts.
- 2) See FM0160 Parts Price Sheet for listing of parts prices.
- 3) "N/A" indicates not applicable.

REPLACEMENT PARTS LIST FOR DOUBLE SEAL MODELS "N4145" AND "E4145"

See page 7 for illustration.

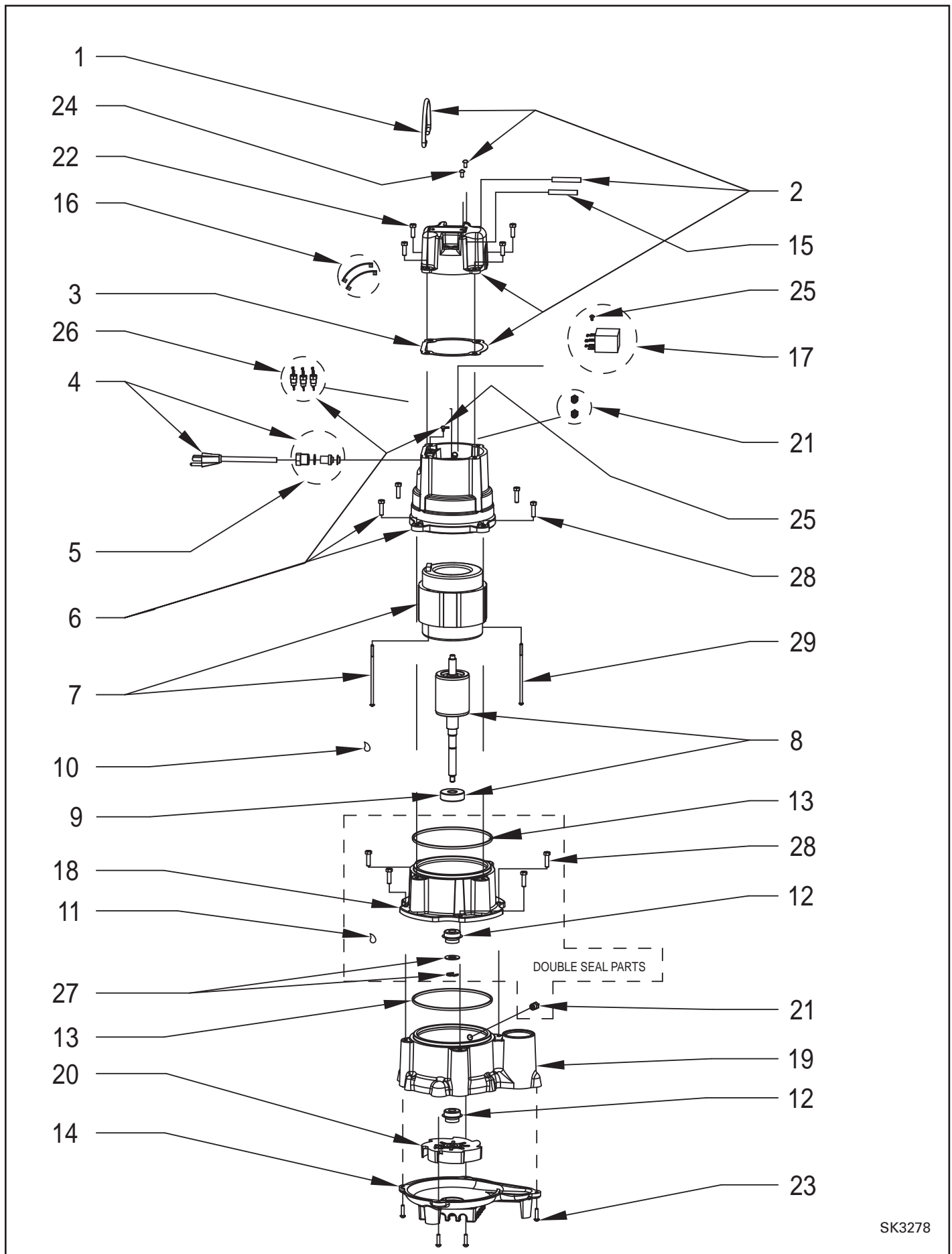
REF NO.	Kit	DESCRIPTION	NOTES	QTY	N4145-B 01/20 thru CURRENT.	E4145-B 01/20 thru CURRENT.
1		HANDLE		1	267032	267032
2		CASE ASSEMBLY		1	267051	267051
3	*	CASE GASKET		1	267007	267007
4		POWER CORD - 115V	3	1	011551	N/A
		POWER CORD - 230V			N/A	003618
5	*	CORD SEAL ASSEMBLY		1	156778	156778
6		MOTOR HOUSING ASSEMBLY		1	156811	156811
7		STATOR ASSEMBLY - 115V	3	1	156808	N/A
		STATOR ASSEMBLY - 230V			N/A	156812
8		ROTOR & BEARING ASSEMBLY		1	156814	156814
9	*	ROTOR BEARING		1	009540	009540
10	*	21.5 Oz OIL CAN		1	010331	010331
11	*	12 Oz OIL CAN		1	010158	010158
12	*	SHAFT SEAL ASSEMBLY		2	011681	011681
13	*	MOTOR HOUSING SEAL		1	034007	034007
14		BASE		1	019052	019052
15		HANDLE RETAINERS		2	267053	267053
16	*	WIRE PACK		1	011548	011548
17		CAPACITOR ASSEMBLY		1	156807	156807
18		ADAPTER		1	156813	156813
19		PUMP HOUSING		1	155741	155741
20		IMPELLER W-SHIMS		1	153495	153495
21	*	TEST PLUG		3	034090	034090
22	*	SCREW - CASE (1/4-20X3/4)		4	001916	001916
23	*	SCREW - BASE (10-24 X3/4)		4	001885	001885
24	*	SCREW - RETAINER (10-24 X3/8)		2	001883	001883
25	*	SCREW - GROUND & CAPACITOR (6-32X1/4)		2	001877	001877
26	*	THRU WALL TERMINAL		3	003402	003402
27	*	SNAP RING & WASHER		1	010167	010167
28	*	SCREW - MOTOR HOUSING (1/4-20X7/8)		8	012491	012491
29	*	SCREW - STATOR (8-32 X 4-9/32)		2	155319	155319
<input type="checkbox"/>		REBUILD KIT		1	156776	156776

* Items included in Rebuild kit. Not shown on illustration

Service parts notes:

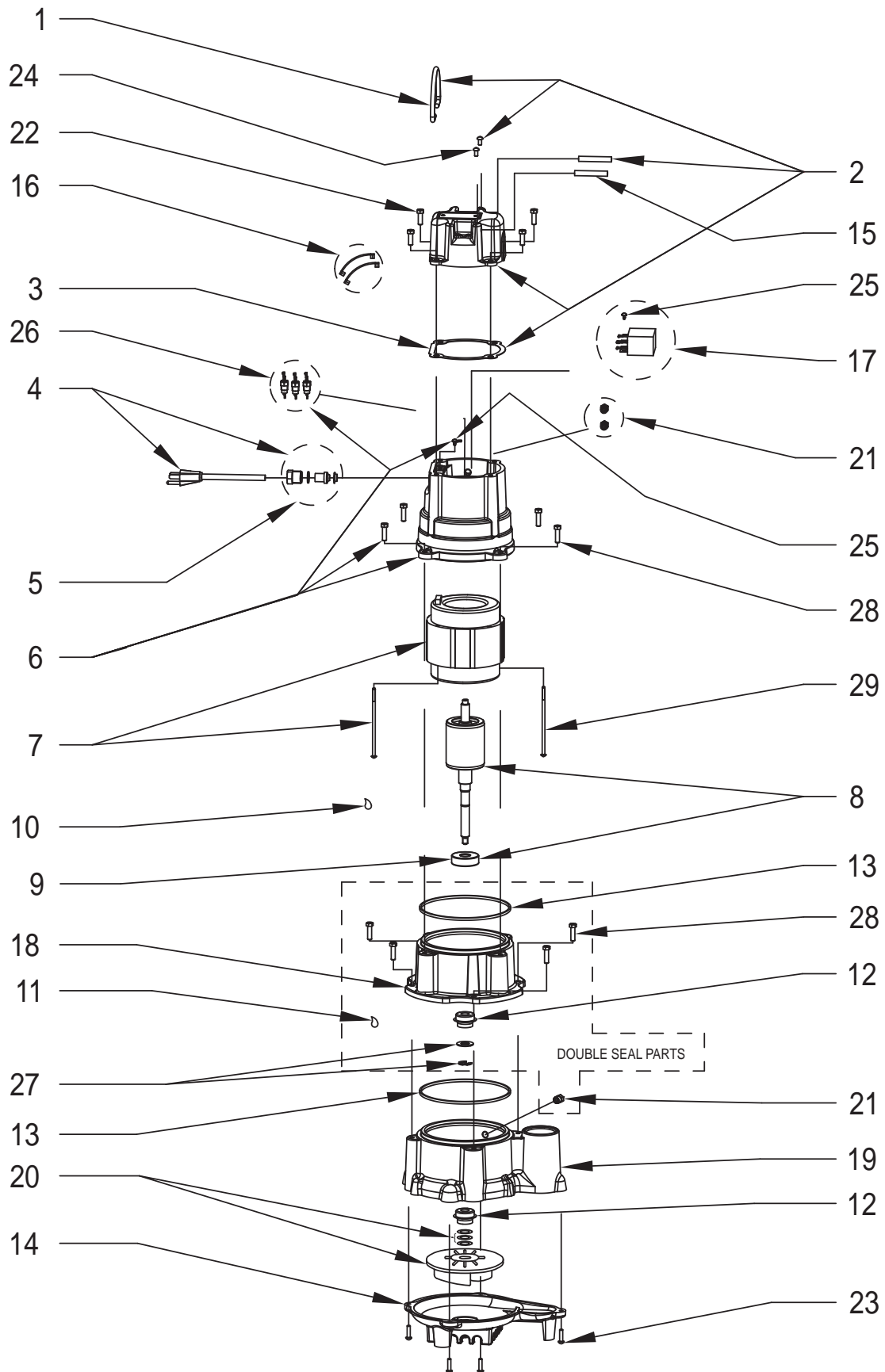
- 1) If an "X" follows model no., or date mfg. on brass ID tag, consult factory for ordering any parts.
- 2) See FM0160 Parts Price Sheet for listing of parts prices.
- 3) "N/A" indicates not applicable.

REPLACEMENT PARTS ILLUSTRATION FOR MODELS "140" AND "4140"



SK3278

REPLACEMENT PARTS ILLUSTRATION FOR MODELS "145" AND "4145"



SK3282

REPLACEMENT PARTS LIST FOR MODELS:

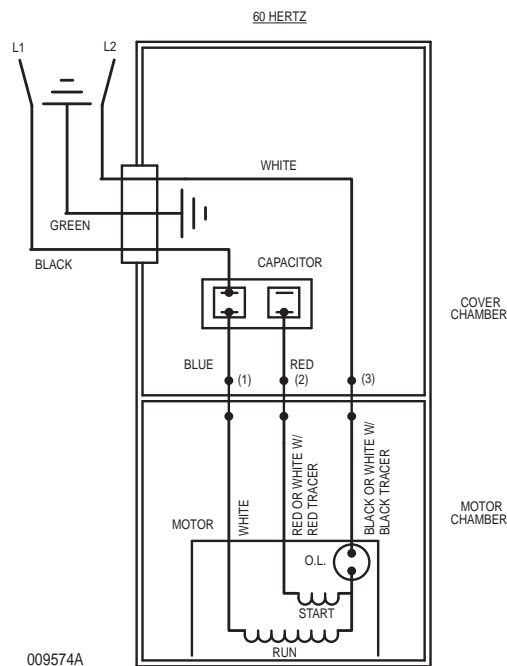
N140 NONAUTOMATIC 115V
 E140 NONAUTOMATIC 230V
 N4140 NONAUTOMATIC 115V
 E4140 NONAUTOMATIC 230V
 N145 NONAUTOMATIC 115V
 E145 NONAUTOMATIC 230V
 N4145 NONAUTOMATIC 115V
 E4145 NONAUTOMATIC 230V

Consult factory for all other models

TO ORDER REPLACEMENT PARTS

PLEASE FURNISH THE FOLLOWING INFORMATION:

- Model number
- Part number of pump
- Part number and description of part



WIRING DIAGRAM FOR MODELS
 "N140" "A-F"; "N4140" "A-F";
 "E140"; "E4140"
 2/95 thru 12/19
 "N145" & "E145" "A";
 "N4145" & "E4145" "A"

REPLACEMENT PARTS LIST FOR SINGLE SEAL MODELS "N140" and "E140".

See page 13 for illustration.

REF NO.	DESCRIPTION	QTY	MODELS:											
			N140-A	N140-B	N140-C	N140-D	N140-E	N140-F	E140-A	E140-B	E140-C	E140-D	E140-E	E140-F
1	HANDLE	1	2/95 thru 5/97	6/97 thru 9/02	10/02 thru 3/07	4/07 thru 4/08	5/08 thru 8/09	9/09 thru 12/19	2/95 thru 5/97	6/97 thru 9/02	10/02 thru 3/07	4/07 thru 6/08	7/08 thru 12/08	1/09 thru 12/19
2	CASE ASSEMBLY	1	267051	267032	267032	267032	267032	267032	267051	267051	267032	267032	267032	267032
3	CASE GASKET	1	267007	267007	267007	267007	267007	267007	267007	267007	267007	267007	267007	267007
4	POWER CORD	1	010155	011551	011551	011551	011551	011551	011558	011558	063618	063618	063618	063618
5	SEAL ASSEMBLY POWER	1	010154	010154	010154	010154	010154	010154	010154	010154	010154	010154	010154	010154
6	MOTOR HOUSING ASM/SOURCE	1	010156	010156	010156	010156	010156	010156	010157	010157	010157	010157	010157	010157
7	MOTOR HOUSING ASM/ZT	1	N/A	N/A	N/A	N/A	N/A	N/A	N/A	N/A	N/A	N/A	N/A	N/A
	ROTOR & BRG ASM/SOURCE	1	010994	010994	010994	010994	010994	010994	010994	010994	010994	010994	010994	010994
	ROTOR & BRG ASM/ZT	1	N/A	N/A	N/A	N/A	N/A	N/A	N/A	N/A	N/A	N/A	N/A	N/A
8	25 OZ OIL CAN	1	010330	010330	010330	010330	010330	010330	010330	010330	010330	010330	010330	010330
9	16 OZ OIL CAN	N/A	N/A	N/A	N/A	N/A	N/A	N/A	N/A	N/A	N/A	N/A	N/A	N/A
10	SEAL ASSEMBLY	1	011681	011681	011681	011681	011681	011681	011681	011681	011681	011681	011681	011681
11	SQUARE RING SEAL	1	267006	267006	267006	267006	267006	267006	267006	267006	267006	267006	267006	267006
12	BASE	1	010324	010324	156996	156996	156996	156996	010324	010324	156996	156996	156996	156996
13	HANDLE RETAINERS	2	267053	267053	267053	267053	267053	267053	267053	267053	267053	267053	267053	267053
14	TERM INSULATOR	2	001797	N/A	N/A	N/A	N/A	N/A	001797	001797	N/A	N/A	N/A	N/A
15	WIRE PACK	1	010159	011548	011548	011548	011548	011548	010159	010159	011548	011548	011548	011548
16	CAPACITOR ASSEMBLY	1	010160	011550	011550	011550	011550	011550	010160	010160	011550	011550	011550	011550
17	BEARING RADIAL	1	009540	009540	009540	009540	009540	009540	009540	009540	009540	009540	009540	009540
18	ADAPTER	N/A	N/A	N/A	N/A	N/A	N/A	N/A	N/A	N/A	N/A	N/A	N/A	N/A
19	PUMP HOUSING	1	N/A	N/A	014813	014813	014813	014813	N/A	N/A	014813	014813	014813	014813
20	IMPELLER	1	N/A	N/A	014457	014457	014457	014457	N/A	N/A	014457	014457	014457	014457
21	TEST PLUG	2	034090	034090	034090	034090	034090	034090	034090	034090	034090	034090	034090	034090
22	SCREW 1/4-20X3/4	4	001916	001916	001916	001916	001916	001916	001916	001916	001916	001916	001916	001916
23	SCREW 10-24X3/4	4	001885	001885	001885	001885	001885	001885	001885	001885	001885	001885	001885	001885
24	SCREW 10-24X3/8	2	001883	001883	001883	001883	001883	001883	001883	001883	001883	001883	001883	001883
25	SCREW 6-32X7/16	1	004644	004644	004644	004644	004644	004644	004644	004644	004644	004644	004644	004644
26	WASHER#6	1	002117	002117	002117	002117	002117	002117	002117	002117	002117	002117	002117	002117
27	GROUND SCREW	3	001877	001877	001877	001877	001877	001877	001877	001877	001877	001877	001877	001877
28	THRU WALL TERMINAL	3	003402	003402	003402	003402	003402	003402	003402	003402	003402	003402	003402	003402
29	SNAP RING & WASHER	N/A	N/A	N/A	N/A	N/A	N/A	N/A	N/A	N/A	N/A	N/A	N/A	N/A
30	SEW SCREW	1	002000	002000	N/A	N/A	N/A	N/A	002000	002000	002000	N/A	N/A	N/A
31	SCREW 1/2-20X	4	012491	012491	012491	012491	012491	012491	012491	012491	012491	012491	012491	012491
32	CAP BRACKET	1	153350	153350	153350	153350	153350	153350	153350	153350	153350	153350	153350	153350
□	REBUILD KIT	1	010173	010173	010173	010173	010173	010173	010173	010173	010173	010173	010173	010173

□ Not shown in illustration.

NOTES:

- See FM0160 price sheet for listing of parts pricing.
- "N/A" indicates not applicable
- If an "x" follows model number or date of manufacture on brass I.D. tag, consult factory for ordering of this part.
- The capacitor assembly on "REV. A" pumps only (Item 16), includes the case assembly (Item 2) which the customer must also replace.
- When ordering motor housing (Item 6) or rotor and bearing (Item 7), specify either source or Z1 motor. Z1 stator can be identified by a completely round stator

REPLACEMENT PARTS LIST FOR DOUBLE SEAL MODELS “N4140” and “E4140”.

See page 13 for illustration.

REF NO.	DESCRIPTION	MODELS:		QTY	NOTES	N4140-A	N4140-B	N4140-C	N4140-D	N4140-E	N4140-F	E4140-A	E4140-B	E4140-C	E4140-D	E4140-E	E4140-F
1	HANDLE			1		2/95 thru 5/97	6/97 thru 9/02	10/02 thru 3/07	4/07 thru 4/08	5/08 thru 8/09	9/09 thru 12/19	2/95 thru 5/97	6/97 thru 9/02	10/02 thru 3/07	4/07 thru 6/08	7/08 thru 12/08	1/09 thru 12/19
2	CASE ASSEMBLY			1		267032	011549	011549	011549	011549	011549	267051	011549	011549	011549	011549	011549
3	CASE GASKET			1		267007	267007	267007	267007	267007	267007	267007	267007	267007	267007	267007	267007
4	POWER CORD			1	3	010155	010155	011551	011551	011551	011551	011558	003618	003618	003618	003618	003618
5	SEAL ASSEMBLY POWER			1		010154	010154	010154	010154	010154	010154	010154	010154	010154	010154	010154	010154
6	MOTOR HOUSING ASM/SOURCE			1	5	010156	010156	010156	010156	010156	010156	010157	010157	010157	010157	010157	010157
	MOTOR HOUSING ASM/ZT			1		N/A	N/A	N/A	N/A	N/A	150013	N/A	N/A	N/A	N/A	N/A	150014
7	ROTOR & BRG ASM/SOURCE			1	5	010996	010996	010996	010996	010996	010996	010996	010996	010996	010996	010996	010996
	ROTOR & BRG ASM/ZT			1		N/A	N/A	N/A	N/A	N/A	150016	N/A	N/A	N/A	N/A	N/A	150016
8	36.5 OZ OIL CAN			1		010321	010321	010321	010321	010321	010321	010321	010321	010321	010321	010321	010321
9	16 OZ OIL CAN			1		010158	010158	010158	010158	010158	010158	010158	010158	010158	010158	010158	010158
10	SEAL ASSEMBLY			2		011681	011681	011681	011681	011681	011681	069566	011681	011681	011681	011681	011681
11	SQUARE RING SEAL			2		267006	267006	267006	267006	267006	267006	267006	267006	267006	267006	267006	267006
12	BASE			1		010324	010324	156996	156996	156996	156996	010324	010324	156996	156996	156996	156996
13	HANDLE RETAINERS			2		267053	267053	267053	267053	267053	267053	267053	267053	267053	267053	267053	267053
14	TERM INSULATOR			2		001797	N/A	N/A	N/A	N/A	N/A	001797	N/A	N/A	N/A	N/A	N/A
15	WIRE PACK			1		010159	011548	011548	011548	011548	011548	010159	011548	011548	011548	011548	011548
16	CAPACITOR ASSEMBLY			1	4	010160	011550	011550	011550	011550	011550	010160	011550	011550	011550	011550	011550
17	BEARING RADIAL			1		009540	009540	009540	009540	009540	009540	009540	009540	009540	009540	009540	009540
18	ADAPTER			1		011679	011679	011679	011679	011679	011679	011679	011679	011679	011679	011679	011679
19	PUMP HOUSING			1		N/A	N/A	014813	014813	014813	014813	N/A	N/A	014813	014813	014813	014813
20	IMPELLER			1		N/A	N/A	014457	014457	014457	014457	N/A	N/A	014457	014457	014457	014457
21	TEST PLUG			3		034090	034090	034090	034090	034090	034090	034090	034090	034090	034090	034090	034090
22	SCREW 1/4-20X3/4			8		001916	001916	001916	001916	001916	001916	001916	001916	001916	001916	001916	001916
23	SCREW 10-24X3/4			4		001885	001885	001885	001885	001885	001885	001885	001885	001885	001885	001885	001885
24	SCREW 10-24X3/8			2		001883	001883	001883	001883	001883	001883	001883	001883	001883	001883	001883	001883
25	SCREW 6-32X7/16			1		004644	004644	004644	004644	004644	004644	004644	004644	004644	004644	004644	004644
26	WASHER #6			1		002117	002117	002117	002117	002117	002117	002117	002117	002117	002117	002117	002117
27	GROUND SCREW			3		001877	001877	001877	001877	001877	001877	001877	001877	001877	001877	001877	001877
28	THRU WALL TERMINAL			3		003402	003402	003402	003402	003402	003402	003402	003402	003402	003402	003402	003402
29	SNAP RING & WASHER			1		010167	010167	010167	010167	010167	010167	010167	010167	010167	010167	010167	010167
30	SEM SCREW			1		002000	002000	N/A	N/A	N/A	N/A	002000	002000	N/A	N/A	N/A	N/A
31	SCREW 1/4-20X			4		012491	012491	012491	012491	012491	012491	012491	012491	012491	012491	012491	012491
32	CAP BRACKET			1		153350	153350	153350	153350	153350	153350	153350	153350	153350	153350	153350	153350
0	REBUILD KIT			1		010166	010166	010166	010166	010166	010166	010166	010166	010166	010166	010166	010166

• Items included in Rebuild Kit. □ Not shown in illustration.

NOTES:

- 1) See FM0160 parts price sheet for listing of parts pricing.
- 2) "N/A" indicates not applicable
- 3) If an "x" follows model number or date of manufacture on brass I.D. tag, consult factory for ordering of this part.
- 4) The capacitor assembly on "REV. A" pumps only (Item 16), includes the case assembly (Item 2) which the customer must also replace.
- 5) When ordering motor housing (Item 6) or rotor and bearing (Item 7), specify either source e or ZT motor. ZT stator can be identified by a completely round stator

REPLACEMENT PARTS LIST FOR SINGLE SEAL MODELS “N145” & “E145”

See page 14 for illustration.

REF NO.	DESCRIPTION	QTY	NOTES	MODELS:	
				N145-A	E145-A
				4/08 thru 12/19	11/11 thru 12/19
1	HANDLE	1		267032	267032
2	CASE ASSEMBLY	1		011549	011549
3	• CASE GASKET	1		267007	267007
4	POWER CORD	1	3	011551	003618
5	• SEAL ASSEMBLY POWER	1		010154	010154
6	MOTOR HOUSING ASSEMBLY	1		010156	010157
7	ROTOR & BRG ASM	1		010994	010994
8	• 25 OZ OIL CAN	1		010330	010330
9	16 OZ OIL CAN	N/A		N/A	N/A
10	• SEAL ASSEMBLY	1		011681	011681
11	• SQUARE RING SEAL	1		267006	267006
12	BASE	1		019052	019052
13	HANDLE RETAINERS	2		267053	267053
14	TERM INSULATOR	2		N/A	N/A
15	• WIRE PACK	1		010159	010159
16	CAPACITOR ASSEMBLY	1		011550	011550
17	• BEARING RADIAL	1		009540	009540
18	ADAPTER	N/A		N/A	N/A
19	PUMP HOUSING	1		N/A	N/A
20	IMPELLER W-SHIMS	1		153495	153495
21	• TEST PLUG	2		034090	034090
22	• SCREW 1/4-20X3/4	4		001916	001916
23	• SCREW 10-24X3/4	4		001885	001885
24	• SCREW 10-24X3/8	2		001883	001883
25	• SCREW 6-32X7/16	1		004644	004644
26	• WASHER#6	1		002117	002117
27	• GROUND SCREW	3		001877	001877
28	• THRU WALL TERMINAL	3		003402	003402
29	• SNAP RING & WASHER	N/A		N/A	N/A
30	• SEM SCREW	1		N/A	N/A
31	SCREW 1/4-20X	4		012491	012491
32	CAP BRACKET	1		153350	153350
□	REBUILD KIT	1		010173	010173

• Items included in Rebuild Kit.

□ Not shown in illustration.

NOTES:

- 1) See FM0160 parts price sheet for listing of parts pricing.
- 2) “NA” indicates not applicable
- 3) If an “x” follows model number or date of manufacture on brass I.D. tag, consult factory for ordering of this part.

REPLACEMENT PARTS LIST FOR DOUBLE SEAL MODELS “N4145” & “E4145”

See page 14 for illustration.

REF NO.	DESCRIPTION	QTY	NOTES	MODELS:	
				N4145-A	E4145-A
				4/08 thru 12/19	11/11 thru 12/19
1	HANDLE	1		267032	267032
2	CASE ASSEMBLY	1		011549	011549
3	• CASE GASKET	1		267007	267007
4	POWER CORD	1	3	011551	003618
5	• SEAL ASSEMBLY POWER	1		010154	010154
6	MOTOR HOUSING ASSEMBLY	1		010156	010157
7	ROTOR & BRG ASM	1		010996	010996
8	• 36.5 OZ OIL CAN	1		010331	010331
9	• 16 OZ OIL CAN	1		010158	010158
10	• SEAL ASSEMBLY	2		011681	011681
11	• SQUARE RING SEAL	2		267006	267006
12	BASE	1		019052	019052
13	HANDLE RETAINERS	2		267053	267053
14	TERM INSULATOR	2		N/A	N/A
15	• WIRE PACK	1		010159	010159
16	CAPACITOR ASSEMBLY	1		011550	011550
17	• BEARING RADIAL	1		009540	009540
18	ADAPTER	1		011679	011679
19	PUMP HOUSING	1		N/A	N/A
20	IMPELLER W-SHIMS	1		153495	153495
21	• TEST PLUG	3		034090	034090
22	• SCREW 1/4-20X3/4	8		001916	001916
23	• SCREW 10-24X3/4	4		001885	001885
24	• SCREW 10-24X3/8	2		001883	001883
25	• SCREW 6-32X7/16	1		004644	004644
26	• WASHER #6	1		002117	002117
27	• GROUND SCREW	3		001877	001877
28	• THRU WALL TERMINAL	3		003402	003402
29	• SNAP RING & WASHER	1		010167	010167
30	• SEM SCREW	1		N/A	N/A
31	SCREW ¼-20X	4		012491	012491
32	CAP BRACKET	1		153350	153350
□	REBUILD KIT	1		010166	010166

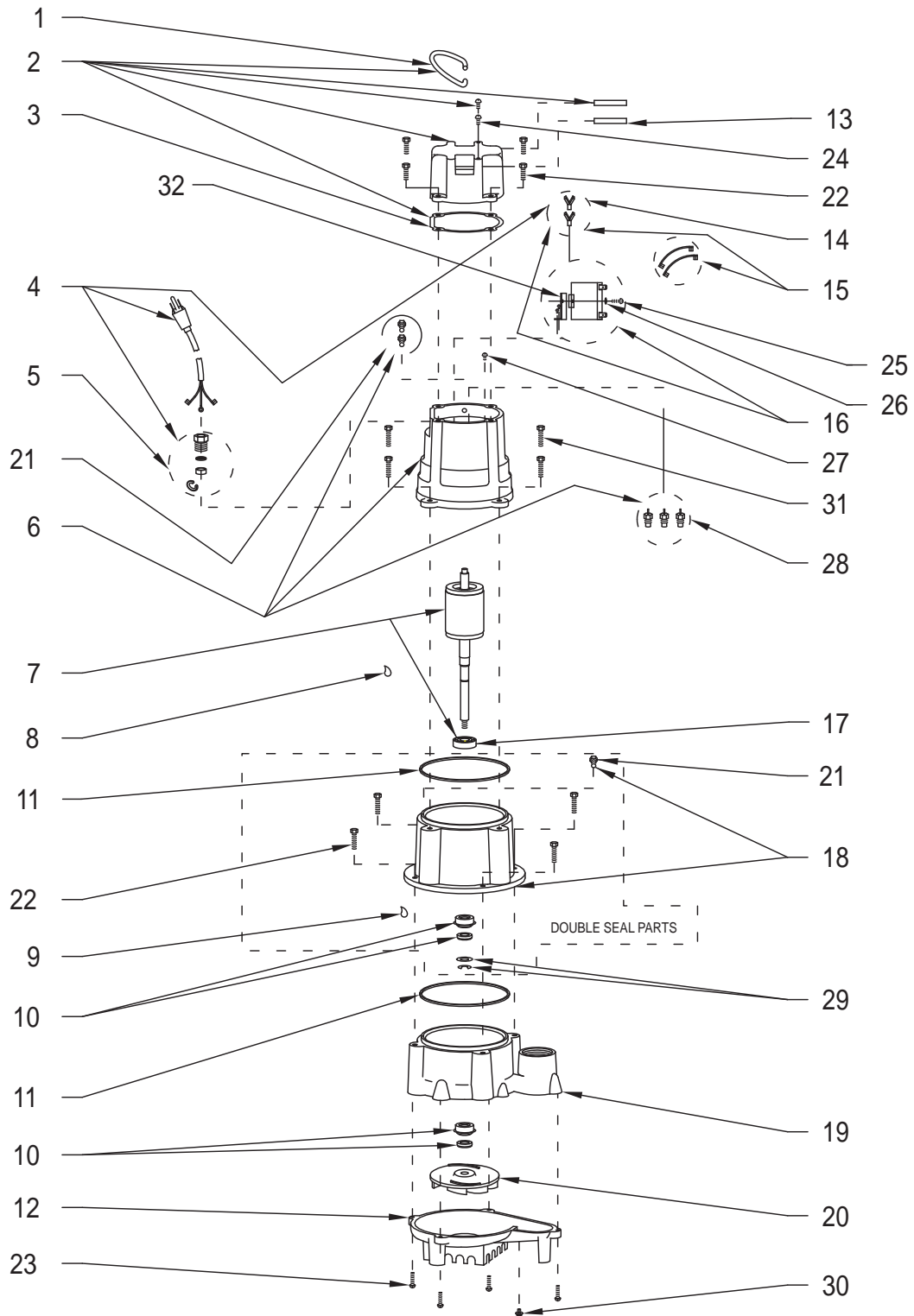
• Items included in Rebuild Kit.

□ Not shown in illustration.

NOTES:

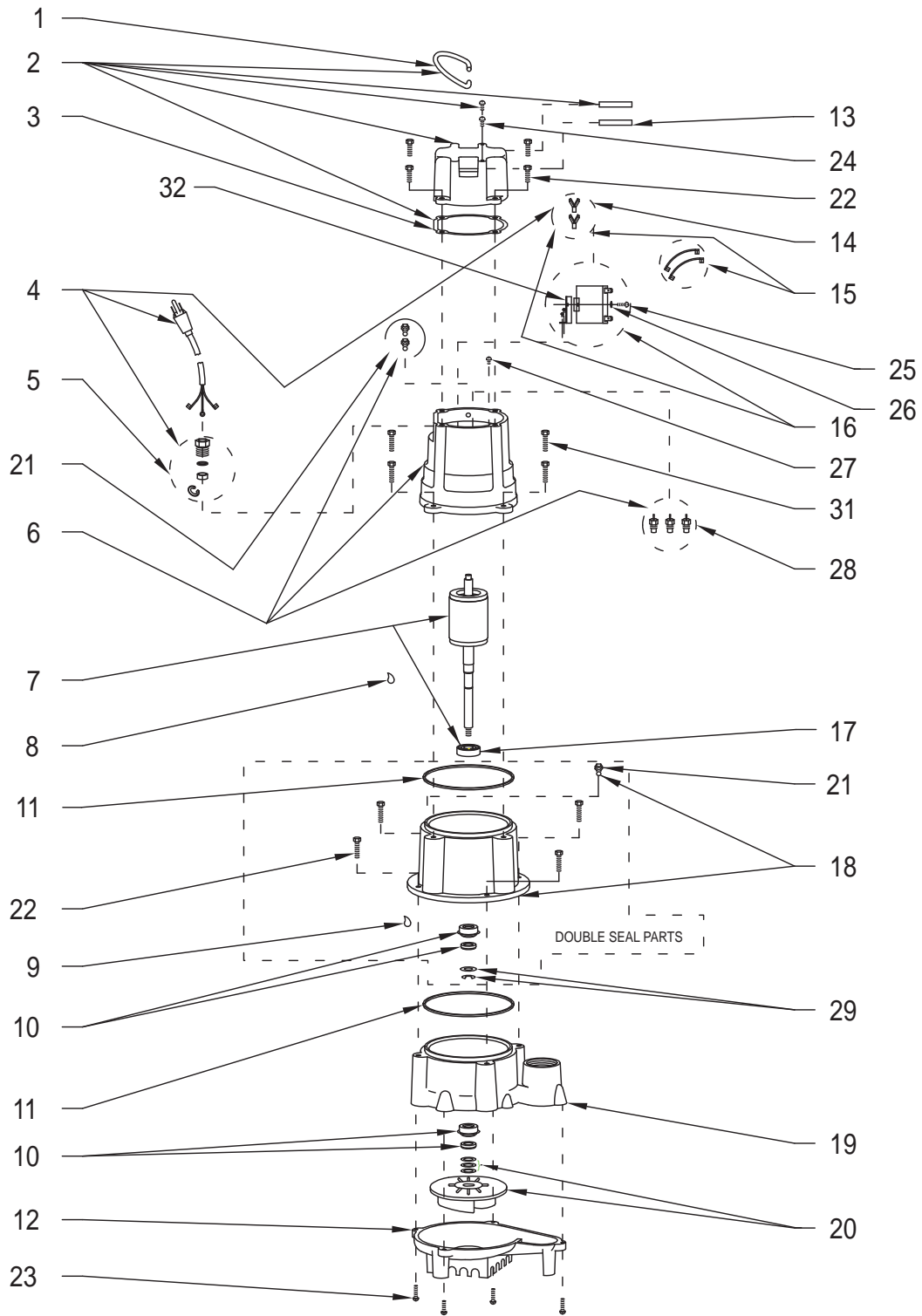
- 1) See FM0160 parts price sheet for listing of parts pricing.
- 2) “NA” indicates not applicable
- 3) If an “x” follows model number or date of manufacture on brass I.D. tag, consult factory for ordering of this part.

REPLACEMENT PARTS ILLUSTRATION FOR MODELS "140" and "4140"



SK1538

REPLACEMENT PARTS ILLUSTRATION FOR MODELS "145" and "4145"



SK2709

