

Trusted. Tested. Tough.®

Product information presented here reflects conditions at time of publication. Consult factory regarding discrepancies or inconsistencies.



(317)346-4110

www.drainagesolutionsinc.com



MAIL TO: P.O. BOX 16347 • Louisville, KY 40256-0347
SHIP TO: 3649 Cane Run Road • Louisville, KY 40211-1961
TEL: (502) 778-2731 • 1 (800) 928-PUMP • FAX: (502) 774-3624

SECTION: 2.75.080

FM1950

0722

Supersedes

0920

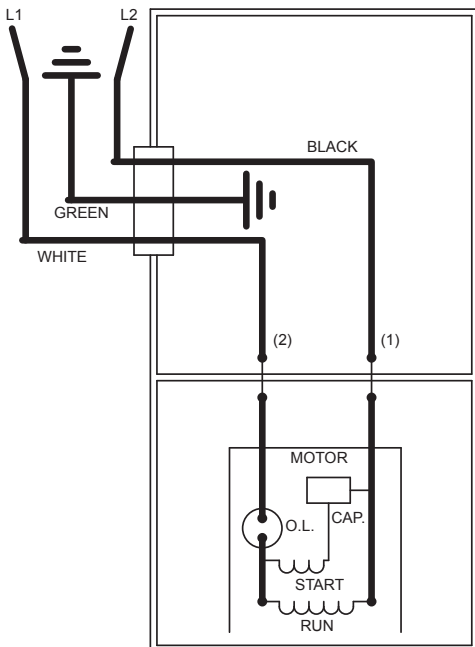
Visit our website:
zoellerpumps.com

REPLACEMENT PARTS LIST FOR MODELS:

N151 NONAUTOMATIC 115V, BN151 AUTOMATIC 115V
E151 NONAUTOMATIC 230V, BE151 AUTOMATIC 230V
N152 NONAUTOMATIC 115V, BN152 AUTOMATIC 115V
WM152 AUTOMATIC w/WIRED FLOAT SWITCH 115V
E152 NONAUTOMATIC 230V, BE152 AUTOMATIC 230V
N153 NONAUTOMATIC 115V, BN153 AUTOMATIC 115V
E153 NONAUTOMATIC 230V, BE153 AUTOMATIC 230V

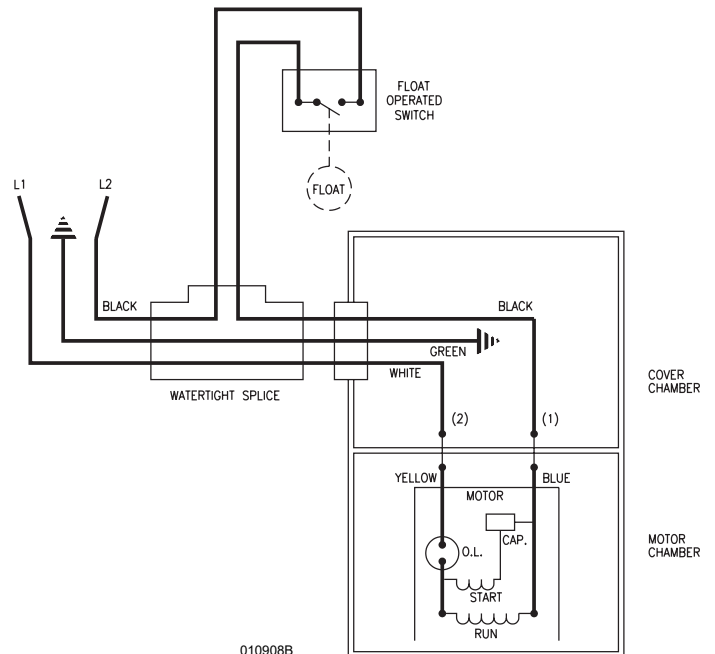
TO ORDER REPLACEMENT PARTS:
PLEASE FURNISH THE FOLLOWING INFORMATION:

- Model Number.
- Part Number of Pump.
- Part Number and Description of part.



009059

WIRING DIAGRAM FOR MODELS
N151, BN151, E151, BE151- All models
N152, BN152, E152, BE152- All models
N153, BN153, E153, BE153- All models



010908B

WIRING DIAGRAM FOR MODEL
WM152- All models

REPLACEMENT PARTS LIST FOR MODEL "N151" and "BN151"

See back page for illustration.

REF. NO.	DESCRIPTION	QTY.	NOTES	MODEL:			BN151-A	BN151-B&C	BN151-D
				N151-A	N151-B&C	N151-D			
				06/02 thru 11/06	12/06 thru 02/21	03/21 thru Current	06/02 thru 11/06	12/06 thru 02/21	03/21 thru Current
1	• GASKET - CASE/COVER	1		034046	034046	034046	034046	034046	034046
2	• STRAIN RELIEF CLAMP	1		004200	004200	004200	004200	004200	004200
3	• CORD SEAL ASSEMBLY	1		004322	004322	004322	004322	004322	004322
4	• CORD, TERMINALS AND SEAL	1		014530	014530	014530	014530	014530	014530
5	• SCREW - STATOR (#8-32 X 2.13" LONG)	2		015133	015133	015133	015133	015133	015133
6	STATOR WITH SCREWS	1		016924	018183	157310	016924	018183	157310
7	ROTOR ASSEMBLY	1		017061	018184	157312	017061	018184	157312
8	• MOTOR HOUSING SEAL	1		034007	034007	034007	034007	034007	034007
9	RADIAL BEARING	1		015355	009540	009540	015355	009540	009540
10	• DIELETRIC OIL	1		007051	007051	007051	007051	007051	007051
11	PUMP HOUSING - MACH.	1	3	N/A	018202	018202	N/A	018202	018202
12	• SHAFT SEAL ASSEMBLY	1		011681	011681	011681	011681	011681	011681
13	IMPELLER - PLASTIC	1		015147	015147	015147	015147	015147	015147
14	BASE	1		002690	002690	002690	002690	002690	002690
15	COVER ASSEMBLY	1		002580	002580	002580	002580	002580	002580
16	• TEST PLUGS	2		034090	034090	034090	034090	034090	034090
17	• SCREW - COVER, MTR HOUSING, BASE (10-24 X .75" LONG)	16		001885	001885	001885	001885	001885	001885
18	• SCREW - GROUND (#6-32 X .25" LONG)	1		001877	001877	001877	001877	001877	001877
19	• THRU WALL TERMINALS	2		003402	003402	003402	003402	003402	003402
20	MOTOR HOUSING ASSEMBLY	1		004712	004712	004712	004712	004712	004712
21	FLOAT SWITCH	1	3	N/A	N/A	N/A	009819	009819	009819
□	REBUILD KIT	1		017062	017062	017062	017062	017062	017062

• Items included in Rebuild Kit.

□ Not shown in illustration.

NOTES :

- 1) If an "X" follows model no., or date mfg. on ID tag, consult factory for ordering any parts.
- 2) See FM0160 Parts Price Sheet for listing of part prices.
- 3) "N/A" indicates not applicable.

REPLACEMENT PARTS LIST FOR MODEL "E151" and "BE151"

See back page for illustration.

REF. NO.	DESCRIPTION	QTY.	MODEL: NOTES	E151-A	E151-B&C	E151-D	BE151-A	BE151-B&C	BE151-D
				05/02 thru 11/06	12/06 thru 02/21	03/21 thru Current	05/02 thru 11/06	12/06 thru 02/21	03/21 thru Current
1	• GASKET - CASE/COVER	1		034046	034046	034046	034046	034046	034046
2	• STRAIN RELIEF CLAMP	1		004200	004200	004200	004200	004200	004200
3	• CORD SEAL ASSEMBLY	1		014597	014597	014597	014597	014597	014597
4	• CORD, TERMINALS AND SEAL	1		014531	014531	014531	014531	014531	014531
5	• SCREW - STATOR (#8-32 X 2.13" LONG)	2		015133	015133	015133	015133	015133	015133
6	STATOR WITH SCREWS	1		017066	018185	157311	017066	018185	157311
7	ROTOR ASSEMBLY	1		017061	018184	157312	017061	018184	157312
8	• MOTOR HOUSING SEAL	1		034007	034007	034007	034007	034007	034007
9	RADIAL BEARING	1		015355	009540	009540	015355	009540	009540
10	• DIELECTRIC OIL	1		007051	007051	007051	007051	007051	007051
11	PUMP HOUSING - MACH.	1	3	N/A	018202	018202	N/A	018202	018202
12	• SHAFT SEAL ASSEMBLY	1		011681	011681	011681	011681	011681	011681
13	IMPELLER - PLASTIC	1		015147	015147	015147	015147	015147	015147
14	BASE	1		002690	002690	002690	002690	002690	002690
15	COVER ASSEMBLY	1		002580	002580	002580	002580	002580	002580
16	• TEST PLUGS	2		034090	034090	034090	034090	034090	034090
17	• SCREW - COVER, MTR HOUSING, BASE (10-24 X .75" LONG)	16		001885	001885	001885	001885	001885	001885
18	• SCREW - GROUND (#6-32 X .25" LONG)	1		001877	001877	001877	001877	001877	001877
19	• THRU WALL TERMINALS	2		003402	003402	003402	003402	003402	003402
20	MOTOR HOUSING ASSEMBLY	1		004712	004712	004712	004712	004712	004712
21	FLOAT SWITCH	1	3	N/A	N/A	N/A	10-0559	10-0559	10-0559
□	REBUILD KIT	1		017063	017063	017063	017063	017063	017063

- Items included in Rebuild Kit.
- Not shown in illustration.

NOTES :

- 1) If an "X" follows model no., or date mfg. on ID tag, consult factory for ordering any parts.
- 2) See FM0160 Parts Price Sheet for listing of part prices.
- 3) "N/A" indicates not applicable.

REPLACEMENT PARTS LIST FOR MODEL “N152” and “BN152”

See back page for illustration.

REF. NO.	DESCRIPTION	QTY.	MODEL: NOTES	N152-A	N152-B&C	N152-D	BN152-A	BN152-B&C	BN152-D
				07/00 thru 10/06	11/06 thru 12/20	01/21 thru Current	11/00 thru 10/06	11/06 thru 12/20	01/21 thru Current
1	• GASKET - CASE/COVER	1		034046	034046	034046	034046	034046	034046
2	• STRAIN RELIEF CLAMP	1		004200	004200	004200	004200	004200	004200
3	• CORD SEAL ASSEMBLY	1		004322	004322	004322	004322	004322	004322
4	• CORD, TERMINALS AND SEAL	1		014530	014530	014530	014530	014530	014530
5	• SCREW - STATOR (#8-32 X 2.563" LONG)	2		001914	001914	001914	001914	001914	001914
6	STATOR WITH SCREWS	1		014532	018179	157310	014532	018179	157310
7	ROTOR ASSEMBLY	1		014536	018182	157312	014536	018182	157312
8	• MOTOR HOUSING SEAL	1		034007	034007	034007	034007	034007	034007
9	RADIAL BEARING	1		009540	009540	009540	009540	009540	009540
10	• DIELECTRIC OIL	1		007051	007051	007051	007051	007051	007051
11	PUMP HOUSING - MACH.	1		014229	018202	018202	014229	018202	018202
12	• SHAFT SEAL ASSEMBLY	1		011681	011681	011681	011681	011681	011681
13	IMPELLER	1		013243	013243	013243	013243	013243	013243
14	BASE	1	3	N/A	154547	154547	N/A	154547	154547
15	COVER ASSEMBLY	1		002580	002580	002580	002580	002580	002580
16	• TEST PLUGS	2		034090	034090	034090	034090	034090	034090
17	• SCREW - COVER, MTR HOUSING, BASE (10-24 X .75" LONG)	12		001885	001885	001885	001885	001885	001885
18	• SCREW - GROUND (#6-32 X .25" LONG)	1		001877	001877	001877	001877	001877	001877
19	• THRU WALL TERMINALS	2		003402	003402	003402	003402	003402	003402
20	MOTOR HOUSING ASSEMBLY	1		004712	004712	004712	004712	004712	004712
21	FLOAT SWITCH	1	3	N/A	N/A	N/A	009819	009819	009819
□	REBUILD KIT	1		014538	014538	014538	014538	014538	014538

• Items included in Rebuild Kit.

□ Not shown in illustration.

NOTES :

- 1) If an “X” follows model no., or date mfg. on ID tag, consult factory for ordering any parts.
- 2) See FM0160 Parts Price Sheet for listing of part prices.
- 3) “N/A” indicates not applicable.

REPLACEMENT PARTS LIST FOR MODEL "WM152"

See back page for illustration.

REF. NO.	DESCRIPTION	QTY.	NOTES	MODEL:		
				WM152-A	WM152-B	WM152-C
				06/03 thru 10/06	1/06 thru 12/20	01/21 thru Current
1	• GASKET - CASE/COVER	1		034046	034046	034046
2	• STRAIN RELIEF CLAMP	1		001770	001770	001770
3	• SCREW - STATOR (#8-32 X 2.563" LONG)	2		001914	001914	001914
4	STATOR WITH SCREWS	1		014532	018179	157310
5	ROTOR ASSEMBLY	1		014536	018182	157312
6	• MOTOR HOUSING SEAL	1		034007	034007	034007
7	RADIAL BEARING	1		009540	009540	009540
8	• DIELECTRIC OIL	1		007051	007051	007051
9	PUMP HOUSING - MACH.	1		014229	018202	018202
10	• SHAFT SEAL ASSEMBLY	1		011681	011681	011681
11	IMPELLER - PLASTIC	1		013243	013243	013243
12	BASE	1	3	N/A	154547	154547
13	COVER ASSEMBLY	1		002580	002580	002580
14	• TEST PLUGS	2		034090	034090	034090
15	• SCREW - COVER, MTR HOUSING, BASE (10-24 X .75" LONG)	12		001885	001885	001885
16	• SCREW - GROUND (#6-32 X .25" LONG)	1		001877	001877	001877
17	• THRU WALL TERMINALS	2		003402	003402	003402
18	MOTOR HOUSING ASSEMBLY	1		004712	004712	004712
19	FLOAT ROD STOP	2		009120	009120	009120
20	FLOAT SWITCH	1		009119	009119	009119
21	FLOAT ROD	1		010499	010499	010499
22	FLOAT ROD RETAINING PIN	1		009121	009121	009121
23	HARDWARE PACK (FLOAT SWITCH)	1		010532	010532	010532
24	• CORD SEAL ASSEMBLY	1		011562	011562	011562
25	SWITCH, CORD AND SEAL ASSEMBLY	1		011563	011563	011563
□	REBUILD KIT	1		019353	019353	019353

• Items included in Rebuild Kit.

□ Not shown in illustration.

NOTES :

- 1) If an "X" follows model no., or date mfg. on ID tag, consult factory for ordering any parts.
- 2) See FM0160 Parts Price Sheet for listing of part prices.
- 3) "N/A" indicates not applicable.

REPLACEMENT PARTS LIST FOR MODEL "E152" and "BE152"

See back page for illustration.

REF. NO.	DESCRIPTION	QTY.	MODEL: NOTES	E152-A	E152-B	E152-C	BE152-A	BE152-B	BE152-C
				04/01 thru 05/07	06/07 thru 12/20	01/21 thru Current	02/01 thru 05/07	06/07 thru 12/20	01/21 thru Current
1	• GASKET - CASE/COVER	1		034046	034046	034046	034046	034046	034046
2	• STRAIN RELIEF CLAMP	1		004200	004200	004200	004200	004200	004200
3	• CORD SEAL ASSEMBLY	1		014597	014597	014597	014597	014597	014597
4	• CORD, TERMINALS AND SEAL	1		014531	014531	014531	014531	014531	014531
5	• SCREW - STATOR (#8-32 X 2.563" LONG)	2		001914	001914	001914	001914	001914	001914
6	STATOR WITH SCREWS	1		014533	018180	157311	014533	018180	157311
7	ROTOR ASSEMBLY	1		014536	018182	157312	014536	018182	157312
8	• MOTOR HOUSING SEAL	1		034007	034007	034007	034007	034007	034007
9	RADIAL BEARING	1		009540	009540	009540	009540	009540	009540
10	• DIELECTRIC OIL	1		007051	007051	007051	007051	007051	007051
11	PUMP HOUSING - MACH.	1		014229	018202	018202	014229	018202	018202
12	• SHAFT SEAL ASSEMBLY	1		011681	011681	011681	011681	011681	011681
13	IMPELLER - PLASTIC	1		013243	013243	013243	013243	013243	013243
14	BASE	1	3	N/A	154547	154547	N/A	154547	154547
15	COVER ASSEMBLY	1		002580	002580	002580	002580	002580	002580
16	• TEST PLUGS	2		034090	034090	034090	034090	034090	034090
17	• SCREW - COVER, MTR HOUSING, BASE (10-24 X .75" LONG)	12		001885	001885	001885	001885	001885	001885
18	• SCREW - GROUND (#6-32 X .25" LONG)	1		001877	001877	001877	001877	001877	001877
19	• THRU WALL TERMINALS	2		003402	003402	003402	003402	003402	003402
20	MOTOR HOUSING ASSEMBLY	1		004712	004712	004712	004712	004712	004712
21	FLOAT SWITCH	1	3	N/A	N/A	N/A	10-0559	10-0559	10-0559
□	REBUILD KIT	1		014539	014539	014539	014539	014539	014539

• Items included in Rebuild Kit.

□ Not shown in illustration.

NOTES :

- 1) If an "X" follows model no., or date mfg. on ID tag, consult factory for ordering any parts.
- 2) See FM0160 Parts Price Sheet for listing of part prices.
- 3) "N/A" indicates not applicable.

REPLACEMENT PARTS LIST FOR MODEL “N153” and “BN153”

See back page for illustration.

REF. NO.	DESCRIPTION	QTY.	MODEL: NOTES	N153-A	N153-B	N153-C	BN153-A	BN153-B	BN153-C
				11/00 thru 10/06	11/06 thru 12/20	01/21 thru Current	11/00 thru 10/06	11/06 thru 12/20	01/21 thru Current
1	• GASKET, CASE COVER	1		034046	034046	034046	034046	034046	034046
2	• CLAMP, STRAIN RELIEF-RED	1		004200	004200	004200	004200	004200	004200
3	• SEAL, CORD ASM	1		004322	004322	004322	004322	004322	004322
4	CORD TERM & SEAL 20'	1		014530	014530	014530	014530	014530	014530
5	• SCREW, #8-32X2.563 RHPL-STLBO	2		001914	001914	001914	001914	001914	001914
6	STATOR W/SCREWS	1		014534	018179	157310	014534	018179	157310
7	ROTOR ASM 115/230V/1PH	1		014537	018182	157312	014537	018182	157312
8	• SEAL, MOTOR HOUSING	1		034007	034007	034007	034007	034007	034007
9	BEARING, RADIAL	1		009540	009540	009540	009540	009540	009540
10	• OIL, DIELECTRIC (30.5 OZ CAN)	1		007051	007051	007051	007051	007051	007051
11	HOUSING, PUMP-MACH	1		014229	018202	018202	014229	018202	018202
12	• SEAL ASM	1		011681	011681	011681	011681	011681	011681
13	IMPELLER	1		014457	014457	014457	014457	014457	014457
14	BASE-MACH	1		N/A	154547	154547	N/A	154547	154547
15	COVER HANDLE	1		002580	002580	002580	002580	002580	002580
16	• PLUG, TEST-WHITE	2		034090	034090	034090	034090	034090	034090
17	• SCREW #10-24X.75 RHM-SI SS	12		001885	001885	001885	001885	001885	001885
18	• SCREW #6-32X.25 RHM SI TC STLGR	1		001877	001877	001877	001877	001877	001877
19	• SEAL, THRU-WALL TERM	2		003402	003402	003402	003402	003402	003402
20	HOUSING, MOTOR	1		004712	004712	004712	004712	004712	004712
21	FLOAT SWITCH	1	2	N/A	N/A	N/A	009819	009819	009819
□	REBUILD KIT	1		014538	014538	014538	014538	014538	014538

• Items included in Rebuild Kit.

□ Not shown in illustration.

NOTES :

- 1) If an “X” follows model no., or date mfg. on ID tag, consult factory for ordering any parts.
- 2) See FM0160 Parts Price Sheet for listing of part prices.
- 3) “N/A” indicates not applicable.

REPLACEMENT PARTS LIST FOR MODEL “E153” and “BE153”

See back page for illustration.

REF. NO.	DESCRIPTION	QTY.	MODEL: NOTES	E153-A	E153-B	E153-C	BE153-A	BE153-B	BE153-C
				03/01 thru 05/07	06/07 thru 12/20	01/21 thru Current	04/01 thru 05/07	06/07 thru 12/20	01/21 thru Current
1	• GASKET - CASE/COVER	1		034046	034046	034046	034046	034046	034046
2	• STRAIN RELIEF CLAMP	1		004200	004200	004200	004200	004200	004200
3	• CORD SEAL ASSEMBLY	1		014597	014597	014597	014597	014597	014597
4	• CORD, TERMINALS AND SEAL	1		014531	014531	014531	014531	014531	014531
5	• SCREW - STATOR (#8-32 X 2.563" LONG)	2		001914	001914	001914	001914	001914	001914
6	STATOR WITH SCREWS	1		014535	018180	157311	014535	018180	157311
7	ROTOR ASSEMBLY	1		014537	018182	157312	014537	018182	157312
8	• MOTOR HOUSING SEAL	1		034007	034007	034007	034007	034007	034007
9	RADIAL BEARING	1		009540	009540	009540	009540	009540	009540
10	• DIELETRIC OIL	1		007051	007051	007051	007051	007051	007051
11	PUMP HOUSING - MACH.	1		014229	018202	018202	014229	018202	018202
12	• SHAFT SEAL ASSEMBLY	1		011681	011681	011681	011681	011681	011681
13	IMPELLER - PLASTIC	1		014457	014457	014457	014457	014457	014457
14	BASE	1	3	N/A	154547	154547	N/A	154547	154547
15	COVER ASSEMBLY	1		002580	002580	002580	002580	002580	002580
16	• TEST PLUGS	2		034090	034090	034090	034090	034090	034090
17	• SCREW - COVER, MTR HOUSING, BASE (10-24 X .75" LONG)	12		001885	001885	001885	001885	001885	001885
18	• SCREW - GROUND (#6-32 X .25" LONG)	1		001877	001877	001877	001877	001877	001877
19	• THRU WALL TERMINALS	2		003402	003402	003402	003402	003402	003402
20	MOTOR HOUSING ASSEMBLY	1		004712	004712	004712	004712	004712	004712
21	FLOAT SWITCH	1	3	N/A	N/A	N/A	10-0559	10-0559	10-0559
□	REBUILD KIT	1		014539	014539	014539	014539	014539	014539

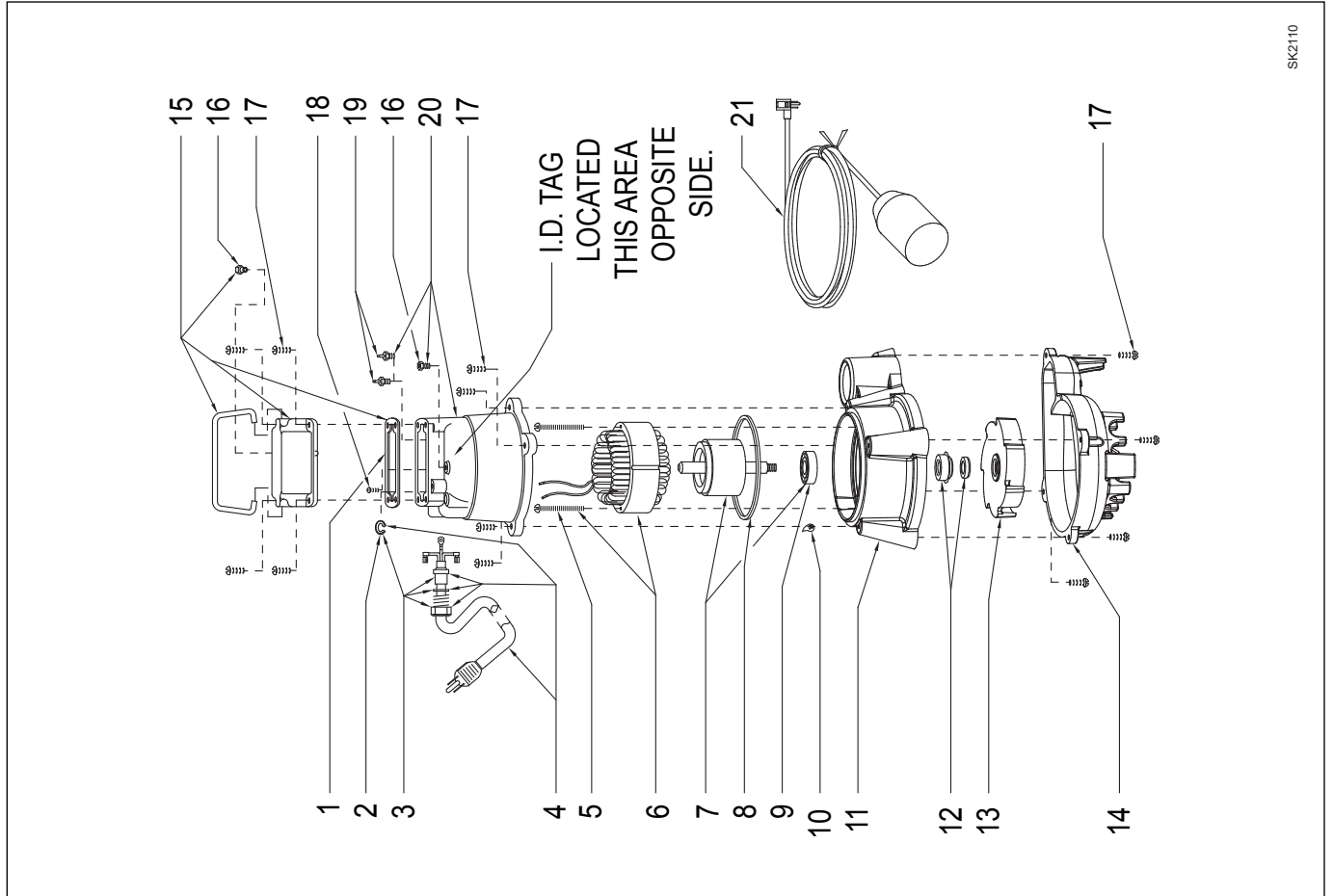
• Items included in Rebuild Kit.

☒ Not shown in illustration.

NOTES :

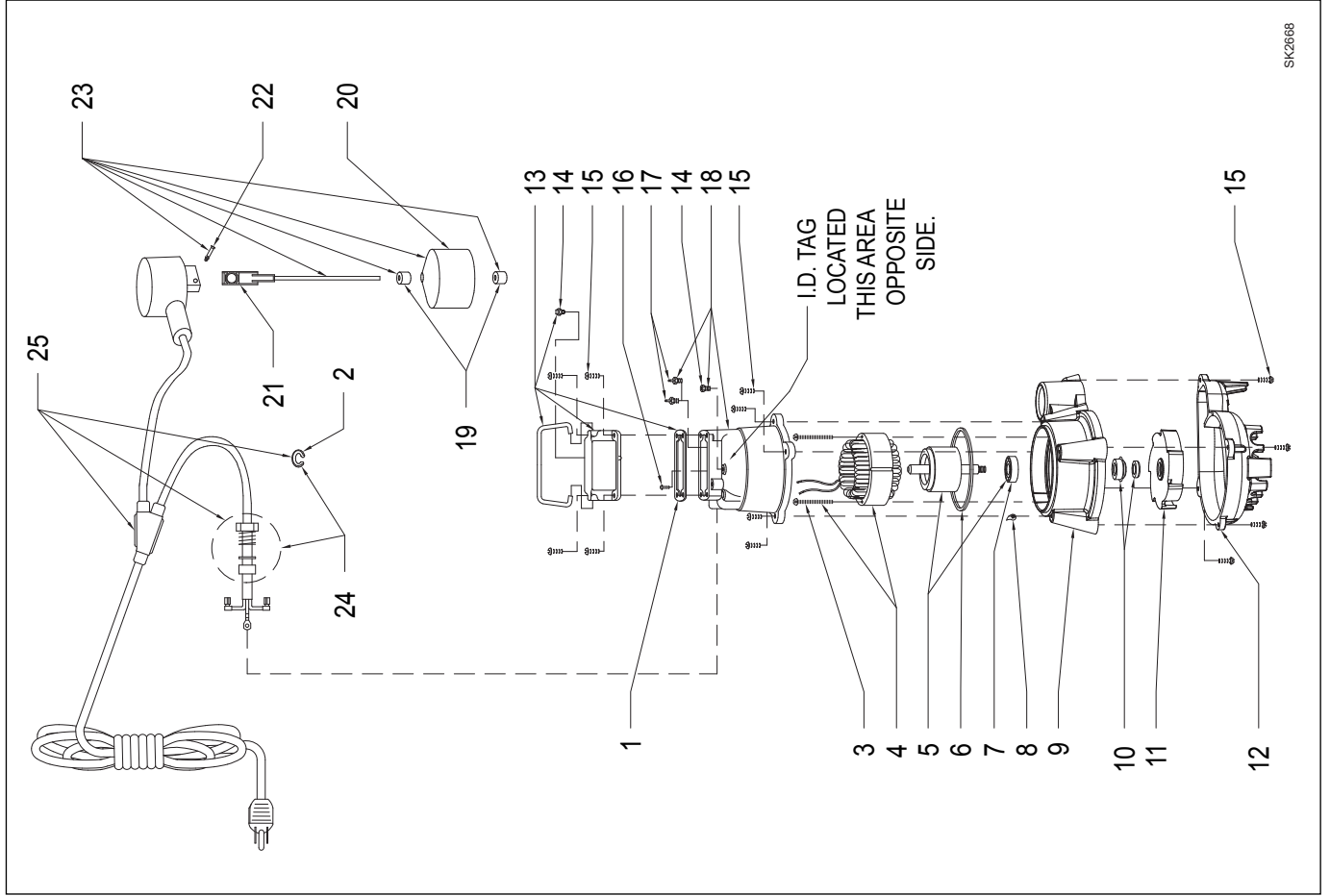
- 1) If an “X” follows model no., or date mfg. on ID tag, consult factory for ordering any parts.
- 2) See FM0160 Parts Price Sheet for listing of part prices.
- 3) “N/A” indicates not applicable.

REPLACEMENT PARTS ILLUSTRATION FOR ALL MODELS EXCEPT "WM152"



SK2110

REPLACEMENT PARTS ILLUSTRATION FOR MODEL "WM152"



SK2688



MAIL TO: P.O. BOX 16347 • Louisville, KY 40256-0347
SHIP TO: 3649 Cane Run Road • Louisville, KY 40211-1961
(502) 778-2731 • 1 (800) 928-PUMP • FAX (502) 774-3624

Trusted. Tested. Tough.®

Visit our website:
zoellerpumps.com