

Trusted. Tested. Tough.®

Product information presented here reflects conditions at time of publication. Consult factory regarding discrepancies or inconsistencies.



SECTION: 2.75.085

FM0668

1122

Supersedes

0322

MAIL TO: P.O. BOX 16347 • Louisville, KY 40256-0347
 SHIP TO: 3649 Cane Run Road • Louisville, KY 40211-1961
 Tel: (502) 778-2731 • 1 (800) 928-PUMP

Visit our website:
 zoellerpumps.com



DRAINAGE SOLUTIONS, INC

(317) 346-4110

www.drainagesolutionsinc.com

REPLACEMENT PARTS LIST FOR MODELS:

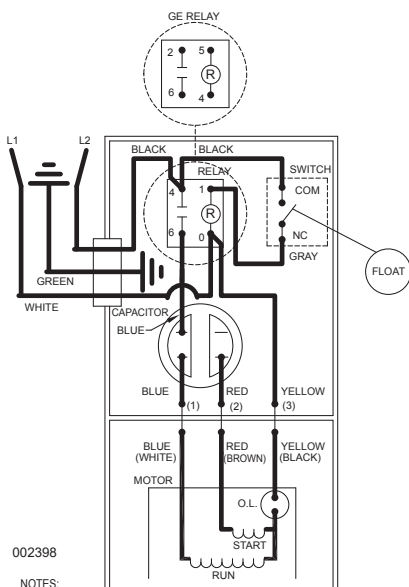
M161 AUTOMATIC 115V
 D161 AUTOMATIC 230V
 N161 NONAUTOMATIC 115V
 E161 NONAUTOMATIC 230V

Consult factory for all other Models

TO ORDER REPLACEMENT PARTS:

PLEASE FURNISH THE FOLLOWING INFORMATION:

- Model Number.
- Part Number of Pump.
 (If manufactured prior to June 1988, give 2 letter date code following Model No.)
- Part Number and Description of part.

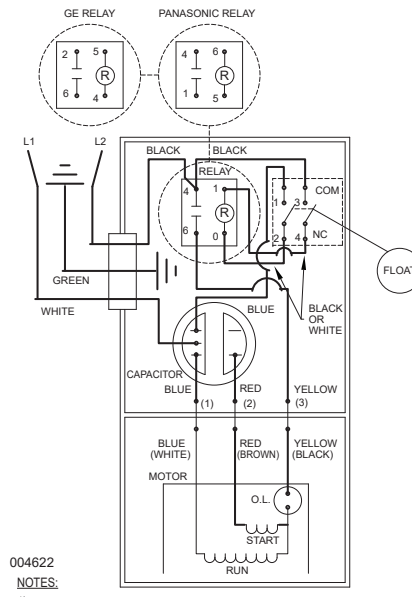


002398

NOTES:

INSULATORS REQUIRED ON GE RELAY TERMINALS 2 & 5;
 OMRON RELAY TERMINALS 1 & 4.

WIRING DIAGRAM FOR MODELS
 "M161-A" and "D161-A"
 2/85 (NR) thru 8/86 (US)

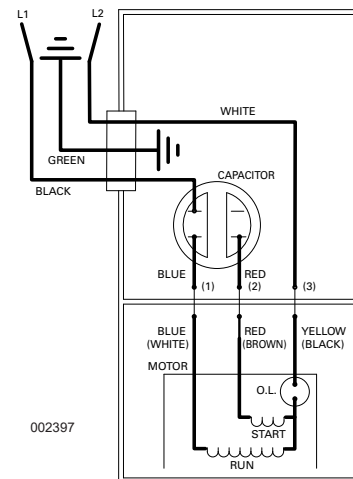


004622

NOTES:

- 1) INSULATORS REQUIRED ON GE RELAY TERMINALS 2 & 5;
 OMRON RELAY TERMINALS 1 & 4.
 PANASONIC RELAY TERMINALS 6 & 4.

WIRING DIAGRAM FOR MODELS
 "M161-B", "M161-C", "M161-D", "M161-E", "M161-G"
 "D161-B", "D161-D"
 9/86 (VS) to Current



002397

WIRING DIAGRAM FOR MODELS
 "N161-A", "N161-B", "N161-C", "N161-D", "N161-E", "N161-F"
 "E161-A", "E161-B", "E161-C"
 2/85 (NR) to Current

REPLACEMENT PARTS LIST FOR MODELS "M161"

See page 6 for "M161" illustration.

REF. NO.	DESCRIPTION	QTY	NOTES	MODELS: M161-A						
				M161-A	M161-B	M161-C	M161-D	M161-E	M161-F	M161-G
				2/85 NR thru 8/86 US	9/86 VS thru 8/90	9/90 thru 10/98	11/98 thru 4/03	5/03 thru 11/09	12/09 thru 1/16	2/16 thru Current
1	CASE, SW.& CORD	1	2,3	002506	004746	006292	006292	014155	014155	014155
2	• HANDLE	1		217069	217069	217069	217069	217069	217069	217069
3	CORD, TERM & SEAL	1	3	002507	002507	006290	006290	014168	014168	014168
4	CLAMP, STRAIN RELIEF	1	3	001770	001770	NA	NA	013764	013764	013764
5	• SEAL, CORD-ASM & STR RLF	1	3	094032	094032	004375	004375	015634	015634	015634
6	CASE-MACH	1	2,3	004746	004614	004633	004633	014154	014154	014154
7	• GUARD	1		001023	001023	001023	001023	001023	001023	001023
8	• ARM & SEAL ASM	1	2	002379	004745	004745	004745	004745	004745	004745
9	• GASKET, CASE/COVER	1		001011	001011	001011	001011	001011	001011	001011
10	SWITCH ASM	1	2	002380	004744	004744	004744	004744	004744	004744
□	LEAD WIRE (GRAY)	1		002609	002609	002609	NA	NA	NA	NA
11	• WIRE PKG (5) WIRES	1		001070	004749	004749	004749	004749	004749	004749
12	CAPACITOR & CLAMP ASM	1		003575	003575	003575	003575	003575	003575	003575
13	RELAY	1		217092	217092	217092	217092	217092	217092	153832
14	FLOAT, PLASTIC	1		094039	094039	094039	094039	094039	094039	094039
15	GUIDE ASM, FLT ROD	1		001072	001072	001072	001072	001072	001072	001072
16	ROD ASM, FLT	1		003083	003083	003083	003083	003083	150439	150439
17	HOUSING, MTR-& STR	1	1,6	002497	002497	002497	002497	002497	150580	150580
18	BEARING, UPPER SLEEVE	1		001012	001012	001012	001012	001012	NA	NA
	BEARING, UPPER BALL	1		NA	NA	NA	NA	NA	006703	006703
19	• PLUG, TEST-WHITE	2		034090	034090	034090	034090	034090	034090	034090
20	• SEAL, THRU WALL TERM	3		003402	003402	003402	003402	003402	003402	003402
21	ROTOR & BRG	1	6	002701	002701	002701	002701	002701	150574	150574
22	BEARING, RADIAL	1		001013	001013	001013	001013	001013	010069	010069
23	• SEAL, MTR HSG	1		001014	001014	001014	001014	001014	001014	001014
24	• OIL, DIELECTRIC	1		002383	002383	002383	002383	003168	011066	011066
25	ADAPTER-MACH	1		001003	001003	001003	001003	001003	001003	001003
26	• SEAL, SHAFT	1		002430	002430	002430	002430	002430	002430	002430
27	FLANGE PKG 2" NPT	1		10-1305	10-1305	10-1305	10-1305	10-1305	10-1305	10-1305
	FLANGE PKG 3" NPT	1		10-1306	10-1306	10-1306	10-1306	10-1306	10-1306	10-1306
28	IMPELLER "161" BRONZE	1		004307	004307	004307	004307	004307	004307	004307
	IMPELLER "161" CAST IRON			NA	NA	NA	NA	NA	NA	157825
29	HOUSING,PUMP-MACH	1		004188	004188	004188	004188	004188	004188	004188
30	STRAINER PLATE	1		137008	137008	137008	137008	137008	137008	137008
31	• SCREW, .25-20 X .75 HHM-SS	4		001916	001916	001916	001916	001916	001916	001916
32	• SCREW, .313-18 X 1" HH CAP-SS	4		002608	002608	002608	002608	002608	002608	002608
33	• SCREW, #10-24 X.375 RHM-SL SS	2		001883	001883	001883	001883	001883	001883	001883
34	• SCREW, #6-32X.438 RHSLTP"1" STLZI	2		001877	004644	004644	004644	004644	004644	004644
35	• SEM, 10-24X.375HH-SL TC.688 WASH	2		002000	002000	002000	002000	002000	002000	002000
36	• WASHER, SS-1.25"ODX.562"IDX.078	2		002115	002115	002115	002115	002115	002115	002115
37	• SCREW, .5-13 X 2 HH CAP-SS	2		001909	001909	001909	001909	001909	001909	001909
38	• SCREW, #6-32X.25RHM SL TC STLGR	5		001877	001877	001877	001877	001877	001877	001877
39	• SCREW, .25-20X1" HHM-SS	4		007790	007790	007790	007790	007790	007790	007790
□	REBUILD KIT			002509	004747	004747	004747	016103	019647	019647

• Items included in Rebuild Kit.

□ Not shown in illustration.

NOTES:

- 1) Mtr. Hsg., Brg., Stator & Term. (Item 17) is preassembled at the factory and must be replaced as a unit. Stator is permanently attached to the Motor Housing. Plug (Item 19); Seal, Thru Wall Term. (Item 20) and Bearing - Upper (Item 18) are replaceable.
- 2) When ordering these parts, customer must identify if switch is a General Electric switch.
- 3) If an "X" follows Model No., or Date Mfg. on ID tag, consult factory for ordering of this part.
- 4) See FM0160 Parts Price Sheet for listing of parts prices.
- 5) "NA" indicates, not applicable.
- 6) When ordering specify either GE or Emerson Motor.

REPLACEMENT PARTS LIST FOR MODELS "D161"

See page 6 for "D161" illustration.

REF. NO.	DESCRIPTION	QTY	NOTES	MODELS: D161-A				D161-B	D161-C	D161-D
				2/85 NR thru 8/86 US	9/86 VS thru 11/09	12/09 thru 1/16	2/16 thru Current			
1	CASE, SW.& CORD	1	2,3	002378	004748	004748	004748			
2	• HANDLE	1		217069	217069	217069	217069			
3	CORD, TERM & SEAL	1	3	002429	002429	002429	002429			
4	CLAMP, STRAIN RELIEF	1	3	001770	001770	001770	001770			
5	• SEAL, CORD-ASM & STR RLF	1	3	094032	094032	094032	094032			
6	CASE-MACH	1	2,3	001007	004614	004614	004614			
7	• GUARD	1		001023	001023	001023	001023			
8	• ARM & SEAL ASM	1	2	002379	004745	004745	004745			
9	• GASKET, CASE/COVER	1		001011	001011	001011	001011			
10	SWITCH ASM	1	2	002380	004744	004744	004744			
11	• WIRE PKG (5) WIRES	1		001070	004749	004749	004749			
12	CAPACITOR & CLAMP ASM	1		002381	002381	002381	002381			
13	RELAY	1		217093	217093	217093	153833			
14	FLOAT, PLASTIC	1		094039	094039	094039	094039			
15	GUIDE ASM, FLT ROD	1		001072	001072	001072	001072			
16	ROD ASM, FLT	1		003083	003083	150439	150439			
17	HOUSING, MTR & STR	1	1,6	002504	002504	150582	150582			
18	BEARING, SLEEVE	1		001012	001012	NA	NA			
	BEARING, UPPER BALL	1		NA	NA	006703	006703			
19	• PLUG, TEST-WHITE	2		034090	034090	034090	034090			
20	• SEAL, THRU WALL TERM	3		003402	003402	003402	003402			
21	ROTOR & BRG	1	6	002691	002691	150575	150575			
22	BEARING, RADIAL	1		001013	001013	010069	010069			
23	• SEAL, MTR HSG	1		001014	001014	001014	001014			
24	• OIL, DIELECTRIC	1		002383	002383	011066	011066			
25	ADAPTER-MACH	1		001003	001003	001003	001003			
26	• SEAL, SHAFT	1		002430	002430	002430	002430			
27	FLANGE PKG 2" NPT	1		10-1305	10-1305	10-1305	10-1305			
	FLANGE PKG 3" NPT	1		10-1306	10-1306	10-1306	10-1306			
28	IMPELLER "161" BRONZE	1		004307	004307	004307	004307			
	IMPELLER "161" CAST IRON		NA	NA	NA	157825				
29	HOUSING,PUMP-MACH	1		004188	004188	004188	004188			
30	STRAINER PLATE	1		137008	137008	137008	137008			
31	• SCREW, .25-20 X .75 HHM-SS	4		001916	001916	001916	001916			
32	• SCREW, .313-18 X 1" HH CAP-SS	4		002608	002608	002608	002608			
33	• SCREW, #10-24 X.375 RHM-SL SS	2		001883	001883	001883	001883			
34	• SCREW, #6-32X.438 RHLTP"1" STLZI	2		001877	004644	004644	004644			
35	• SEM, 10-24X.375HH-SL TC.688 WASH	2		002000	002000	002000	002000			
36	• WASHER, SS-1.25" ODX.562" IDX.078	2		002115	002115	002115	002115			
37	• SCREW, .5-13 X 2 HH CAP-SS	2		001909	001909	001909	001909			
38	• SCREW, #6-32X.25RHM SL TC STLGR	5		001877	001877	001877	001877			
39	• SCREW, .25-20X1" HHM-SS	4		007790	007790	007790	007790			
□	REBUILD KIT			002509	004747	019647	019647			

• Items included in Rebuild Kit.

□ Not shown in illustration.

NOTES:

- 1) Mtr. Hsg., Brg., Stator & Term. (Item 17) is preassembled at the factory and must be replaced as a unit. Stator is permanently attached to the Motor Housing. Plug (Item 19); Seal, Thru Wall Term. (Item 20) and Bearing - Upper (Item 18) are replaceable.
- 2) When ordering these parts, customer must identify if switch is a General Electric switch.
- 3) If an "X" follows Model No., or Date Mfg. on ID tag, consult factory for ordering of this part.
- 4) See FM0160 Parts Price Sheet for listing of parts prices.
- 5) "NA" indicates, not applicable.
- 6) When ordering specify either GE or Emerson Motor.

REPLACEMENT PARTS LIST FOR MODELS "N161"

See page 6 for "N161" illustration.

REF. NO.	DESCRIPTION	QTY	NOTES	MODELS: N161-A						
				2/85 NR thru 8/86 US	9/86 VS thru 8/90	9/90 thru 10/98	11/98 thru 4/03	5/03 thru 11/09	12/09 thru Current	
1	• HANDLE	1		217069	217069	217069	217069	217069	217069	
2	COVER & CORD	1	2	002499	002499	006293	006293	014158	014158	
3	CORD, TERM, & SEAL	1	2	002508	002508	006291	006291	014169	014169	
4	CLAMP, STRAIN RELIEF	1	2	001770	001770	001770	001770	013764	013764	
5	SEAL ASM., CORD & STRAIN RELIEF	1	2	094032	094032	004375	004375	015634	015634	
6	COVER-MACH	1	2,3	001077	001077	004372	004372	014150	014150	
7	• GASKET, CASE/COVER	1		001011	001011	001011	001011	001011	001011	
8	• WIRE PKG (5) WIRES	1		001070	004749	004749	004749	004749	004749	
9	CAPACITOR & CLAMP ASM	1		003575	003575	003575	003575	003575	003575	
10	HOUSING, MTR & STR	1	1,5	002497	002497	002497	002497	002497	150580	
11	BEARING, SLEEVE	1		001012	001012	001012	001012	001012	NA	
	BEARING, UPPER BALL	1		NA	NA	NA	NA	NA	006703	
12	• PLUG, TEST-WHITE	2		034090	034090	034090	034090	034090	034090	
13	SEAL THRU WALL TERM	3		003402	003402	003402	003402	003402	003402	
14	ROTOR & BRG	1	5	002701	002701	002701	002701	002701	150574	
15	BEARING, RADIAL	1		001013	001013	001013	001013	001013	010069	
16	• SEAL, MTR HSG	1		001014	001014	001014	001014	001014	001014	
17	• OIL, DIELECTRIC	1		002383	002383	002383	002383	003168	011066	
18	ADAPTER-MACH	1		001003	001003	001003	001003	001003	001003	
19	• SEAL, SHAFT	1		002430	002430	002430	002430	002430	002430	
20	FLANGE PKG 2" NPT	1		10-1305	10-1305	10-1305	10-1305	10-1305	10-1305	
	FLANGE PKG 3" NPT	1		10-1306	10-1306	10-1306	10-1306	10-1306	10-1306	
21	IMPELLER "161" BRONZE	1		004307	004307	004307	004307	004307	004307	
	IMPELLER "161" CAST IRON			NA	NA	NA	NA	NA	157825	
22	HOUSING, PUMP-MACH	1		004188	004188	004188	004188	004188	004188	
23	STRAINER PLATE	1		137008	137008	137008	137008	137008	137008	
24	• SCREW, .25-20 X .75 HHM-SS	4		001916	001916	001916	001916	001916	001916	
25	• SCREW, .313-18 X 1" HH CAP-SS	4		002608	002608	002608	002608	002608	002608	
26	• SCREW, #10-24 X.375 RHM-SL SS	2		001883	001883	001883	001883	001883	001883	
27	• SEM, 10-24X.375HH-SL TC.688 WASH	2		002000	002000	002000	002000	002000	002000	
28	• SCREW, .5-13 X 2 HH CAP-SS	2		001909	001909	001909	001909	001909	001909	
29	• WASHER, SS-1.25" ODX.562"IDX.078	2		002115	002115	002115	002115	002115	002115	
30	• SCREW, #6-32X.25RHM SL TC STLGR	4		001877	001877	001877	001877	001877	001877	
31	• SCREW, .25-20X1" HHM-SS	4		007790	007790	007790	007790	007790	007790	
□	REBUILD KIT			002509	004747	004747	004747	014193	019648	

• Items included in Rebuild Kit.

□ Not shown in illustration.

NOTES:

- 1) Mtr. Hsg., Brg., Stator & Term. (Item 10) is preassembled at the factory and must be replaced as a unit. Stator is permanently attached to the Motor Housing. Plug (Item 12); Seal, Thru Wall Term. (Item 13) and Bearing - Upper (Item 15) are replaceable.
- 2) If an "X" follows Model No., or Date Mfg. on ID tag, consult factory for ordering of this part.
- 3) See FM0160 Parts Price Sheet for listing of parts prices.
- 4) "NA" indicates, not applicable.
- 5) When ordering specify either GE or Emerson Motor.

REPLACEMENT PARTS LIST FOR MODELS "E161"

See page 6 for "E161" illustration.

MODELS: E161-A E161-B E161-C						
REF. NO.	DESCRIPTION	QTY	NOTES	2/85 NR thru 8/86 US	9/86 VS thru 11/09	12/09 thru Current
1	• HANDLE	1		217069	217069	217069
2	COVER & CORD	1	2	002401	002401	002401
3	CORD, TERM, & SEAL	1	2	002402	002402	002402
4	CLAMP, STRAIN RELIEF	1	2	001770	001770	001770
5	SEAL ASM., CORD & STRAIN RELIEF	1	2	094032	094032	094032
6	COVER-MACH	1	2,3	001077	001077	001077
7	• GASKET, CASE/COVER	1		001011	001011	001011
8	• WIRE PKG (5) WIRES	1		001070	004749	004749
9	CAPACITOR & CLAMP ASM	1		002381	002381	002381
10	HOUSING, MTR- & STR	1	1,5	002504	002504	150582
11	BEARING, SLEEVE	1		001012	001012	NA
	BEARING, UPPER BALL	1		NA	NA	006703
12	• PLUG, TEST-WHITE	2		034090	034090	034090
13	SEAL THRU WALL TERM	3		003402	003402	003402
14	ROTOR & BRG	1	5	002701	002701	150575
15	BEARING, RADIAL	1		001013	001013	010069
16	• SEAL, MTR HSG	1		001014	001014	001014
17	• OIL, DIELECTRIC	1		002383	002383	011066
18	ADAPTER-MACH	1		001003	001003	001003
19	• SEAL, SHAFT	1		002430	002430	002430
20	FLANGE PKG 2" NPT	1		10-1305	10-1305	10-1305
	FLANGE PKG 3" NPT	1		10-1306	10-1306	10-1306
21	IMPELLER "161" BRONZE	1		004307	004307	004307
	IMPELLER "161" CAST IRON		NA	NA	157825	
22	HOUSING, PUMP-MACH	1		004188	004188	004188
23	STRAINER PLATE	1		137008	137008	137008
24	• SCREW, .25-20 X .75 HHM-SS	4		001916	001916	001916
25	• SCREW, .313-18 X 1" HH CAP-SS	4		002608	002608	002608
26	• SCREW, #10-24 X.375 RHM-SL SS	2		001883	001883	001883
27	• SEM, 10-24X.375HH-SL TC.688 WASH	2		002000	002000	002000
28	• SCREW, .5-13 X 2 HH CAP-SS	2		001909	001909	001909
29	• WASHER, SS-1.25"ODX.562"IDX.078	2		002115	002115	002115
30	• SCREW, #6-32X.25RHM SL TC STLGR	4		001877	001877	001877
31	• SCREW, .25-20X1" HHM-SS	4		007790	007790	007790
□	REBUILD KIT			002509	004747	019648

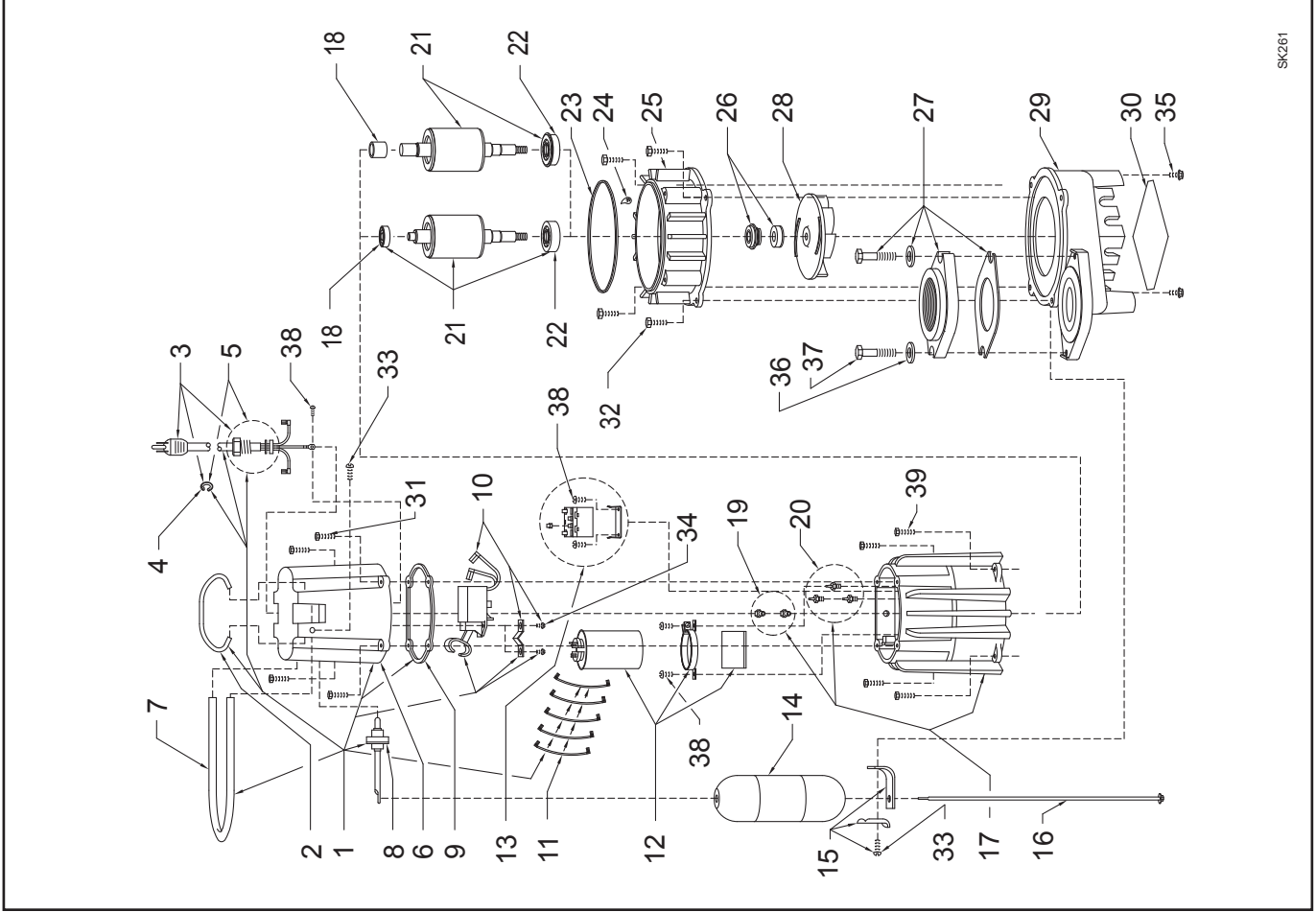
• Items included in Rebuild Kit.

□ Not shown in illustration.

NOTES:

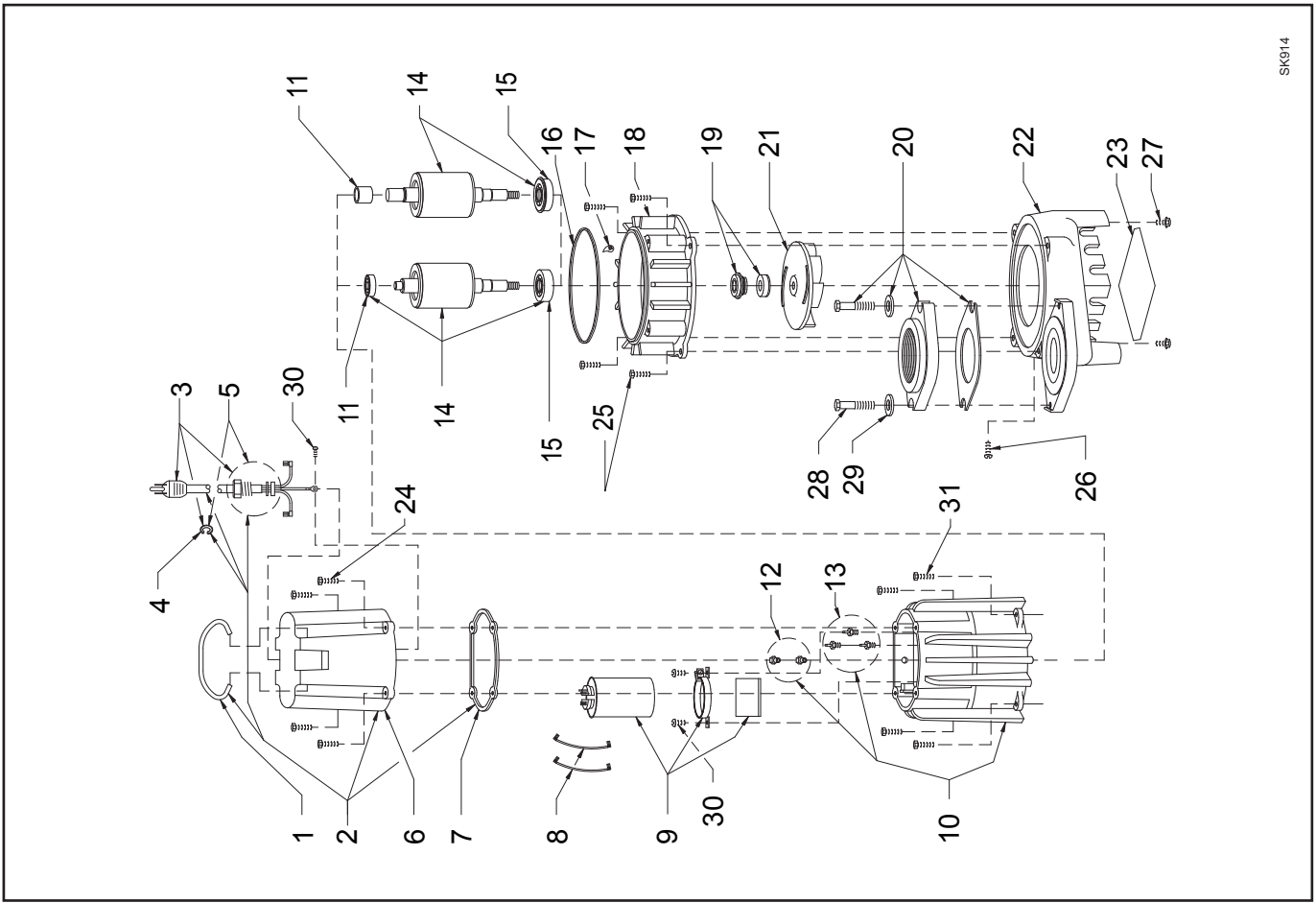
- 1) Mtr. Hsg., Brg., Stator & Term. (Item 10) is preassembled at the factory and must be replaced as a unit. Stator is permanently attached to the Motor Housing. Plug (Item 12); Seal, Thru Wall Term. (Item 13) and Bearing - Upper (Item 15) are replaceable.
- 2) If an "X" follows Model No., or Date Mfg. on ID tag, consult factory for ordering of this part.
- 3) See FM0160 Parts Price Sheet for listing of parts prices.
- 4) "NA" indicates, not applicable.
- 5) When ordering specify either GE or Emerson Motor.

REPLACEMENT PARTS ILLUSTRATION FOR MODELS "M161" AND "D161"



SK261

REPLACEMENT PARTS ILLUSTRATION FOR MODELS "N161" AND "E161"



SK914

NOTES



MAIL TO: P.O. BOX 16347 • Louisville, KY 40256-0347
SHIP TO: 3649 Cane Run Road • Louisville, KY 40211-1961
Tel: (502) 778-2731 • 1 (800) 928-PUMP

Trusted. Tested. Tough.®

Visit our website:
zoellerpumps.com