

Trusted. Tested. Tough.®

Product information presented here reflects conditions at time of publication. Consult factory regarding discrepancies or inconsistencies.



(317) 346-4110

www.drainagesolutionsinc.com

SECTION: 2.20.020

FM2788

0220

Supersedes

0619

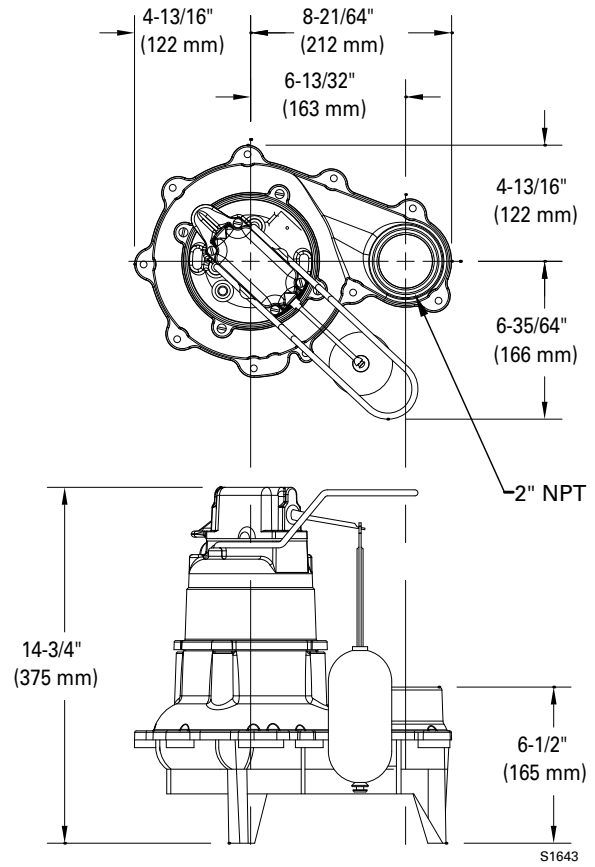
# TECHNICAL DATA SHEET

## WASTE-MATE SERIES

### Model 264 Sewage/Effluent or Dewatering Pumps

#### PRODUCT SPECIFICATIONS

<b>MOTOR</b>	Horse Power	4/10
	Voltage	115 or 230
	Phase	1 Ph
	Hertz	60 Hz
	RPM	1725
	Type	Permanent split capacitor
	Insulation	Class B
	Amps	4.7 - 9.4
<b>PUMP</b>	Operation	Automatic or nonautomatic
	Auto On/Off Points	12-1/2" (31.8 cm) / 4-1/2" (11.4 cm)
	Discharge Size	2" NPT
	Solids Handling	2" (50 mm) spherical solids
	Cord Length	10' (3 m) automatic, 15' (5 m) nonautomatic
	Cord Type	UL listed cord and plug
	Max. Head	18' (5.5 m)
	Max. Flow Rate	90 GPM (341 LPM)
	Max. Operating Temp.	130° F (54° C)
	Cooling	Oil filled
	Motor Protection	Auto reset thermal overload
	<b>MATERIALS</b>	Cap
Motor Housing		Cast iron
Pump Housing		Cast iron
Base		Engineered plastic
Upper Bearing		Sleeve bearing
Lower Bearing		Sleeve bearing
Mechanical Seals		Carbon and ceramic
Impeller Type		Non-clogging vortex
Impeller		Engineered plastic
Hardware		Stainless steel
Motor Shaft		A151 1215 Steel
Gasket		Neoprene or Buna-N
Min. Basin Size		Simplex: 18" x 30" (45.7 x 76.2 cm) Duplex: 30" x 36" (76.2 x 91.4 cm)



S1643

NOTE: The sizing of effluent systems normally requires variable level float(s) controls and properly sized basins to achieve required pumping cycles or dosing timers with nonautomatic pumps.

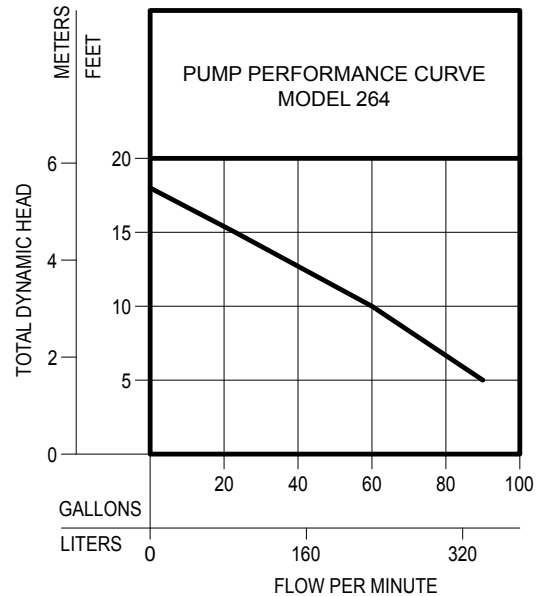
NOTE: See model comparison chart for specific details.

**Made In The USA.**  
Using a majority of U.S. components.



## TOTAL DYNAMIC HEAD FLOW PER MINUTE

MODEL		264	
Feet	Meters	Gallons	Liters
5	1.5	90	341
10	3.0	60	227
15	4.6	23	87
Shut-off Head:		18 ft (5.5 m)	



009931

Model	MODEL COMPARISON										
	Seal	Mode	Volts	Ph	Amps	HP	Hz	Lbs	Kg	Simplex	Duplex
M264	Single	Auto	115	1	9.4	4/10	60	35.5	16.0	1	4
N264	Single	Non	115	1	9.4	4/10	60	34.5	15.6	2 or 3	4
*BN264	Single	Auto	115	1	9.4	4/10	60	40.0	18.0	--	--
D264	Single	Auto	230	1	4.7	4/10	60	35.5	16.0	1	4
E264	Single	Non	230	1	4.7	4/10	60	34.5	15.6	2 or 3	4
*BE264	Single	Auto	230	1	4.7	4/10	60	40.0	18.0	--	--

\*Single piggyback switch included.

Additional cord lengths are available in 25' (8 m) and 35' (11 m). 50' (15 m) cords are available for 230 V units only.

## SELECTION GUIDE

1. Integral float-operated mechanical switch, no external control required.
2. For automatic use single piggyback variable level float switch or double piggyback variable level float switch. Refer to FM0477.
3. See FM1228 for correct model of simplex control panel.
4. See FM0712 for correct model of duplex control panel or FM1663 for a residential alternator system.

## CONSULT FACTORY FOR SPECIAL APPLICATIONS

- Electrical alternators for duplex systems available with variable level float switches
- Minimum recommended basin size  
Simplex - 18"x30" (45.7 x 76.2 cm)  
Duplex - 30"x36" (76.2 x 91.4 cm)
- Standard automatic - weight 35.5 lbs. (16.1 kg)
- High water alarms available
- Mechanical alternators available for duplex systems
- For "M" and "D" models, the approximate volume pumped per cycle are:
 

Tank Diameter	Volume Pumped
18" (45.7 cm) Simplex	8 Gallons (30 liters)
24" (61 cm) Simplex	15 Gallons (57 liters)
30" (76.2 cm) Duplex	22 Gallons (83 liters)
36" (91.4 cm) Duplex	33 Gallons (125 liters)
48" (121.9 cm) Duplex	60 Gallons (227 liters)

**CAUTION** Maximum temperature of sewage or dewatering must be limited to 130°F (54°C). For over 130°F (54°C), special quotation required.

**CAUTION** All installation of controls, protection devices and wiring should be done by a qualified licensed electrician. All electrical and safety codes should be followed including the most recent National Electrical Code (NEC) and the Occupational Safety and Health Act (OSHA).