

Trusted. Tested. Tough.®

Product information presented here reflects conditions at time of publication. Consult factory regarding discrepancies or inconsistencies.



**DRAINAGE SOLUTIONS, INC**

(317)346-4110

www.drainagesolutionsinc.com



MAIL TO: P.O. BOX 16347 • Louisville, KY 40256-0347  
 SHIP TO: 3649 Cane Run Road • Louisville, KY 40211-1961  
 Tel: (502) 778-2731 • 1 (800) 928-PUMP

SECTION: 2.75.130

FM1543

1122

Supersedes

1120

Visit our website:  
 zoellerpumps.com

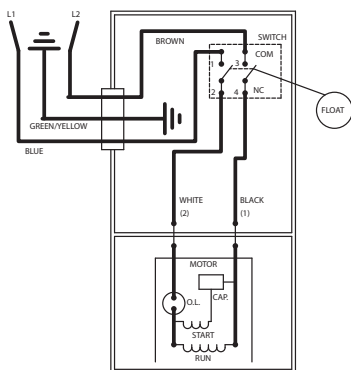
## REPLACEMENT PARTS LIST FOR MODELS:

M264 AUTOMATIC 115V  
 N264 NONAUTOMATIC 115V  
 WM264 AUTOMATIC w/wired float switch 115V  
 D264 AUTOMATIC 230V  
 E264 NONAUTOMATIC 230V

### TO ORDER REPLACEMENT PARTS:

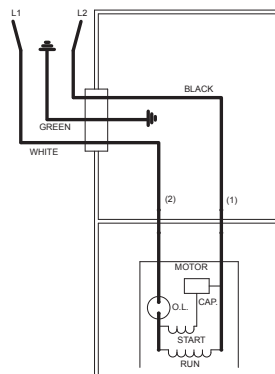
PLEASE FURNISH THE FOLLOWING INFORMATION:

- Model Number.
- Part Number of Pump.
- Part Number and Description of part.

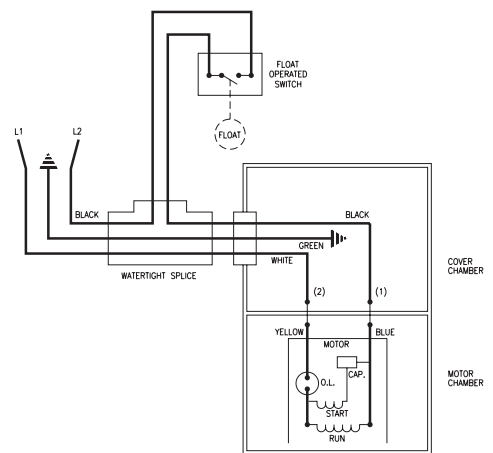


009060B

WIRING DIAGRAM FOR MODELS  
 "M264-A" and "D264-A"  
 6/96 thru Current



WIRING DIAGRAM FOR MODELS  
 "N264-A" and "E264-A"  
 6/96 thru Current



009059B

010908B

WIRING DIAGRAM FOR MODEL  
 "WM264-A"  
 6/96 thru Current

**REPLACEMENT PARTS LIST FOR MODELS "M264" and "D264".**

**REPLACEMENT PARTS ILLUSTRATION FOR MODELS "M264" and "D264"**

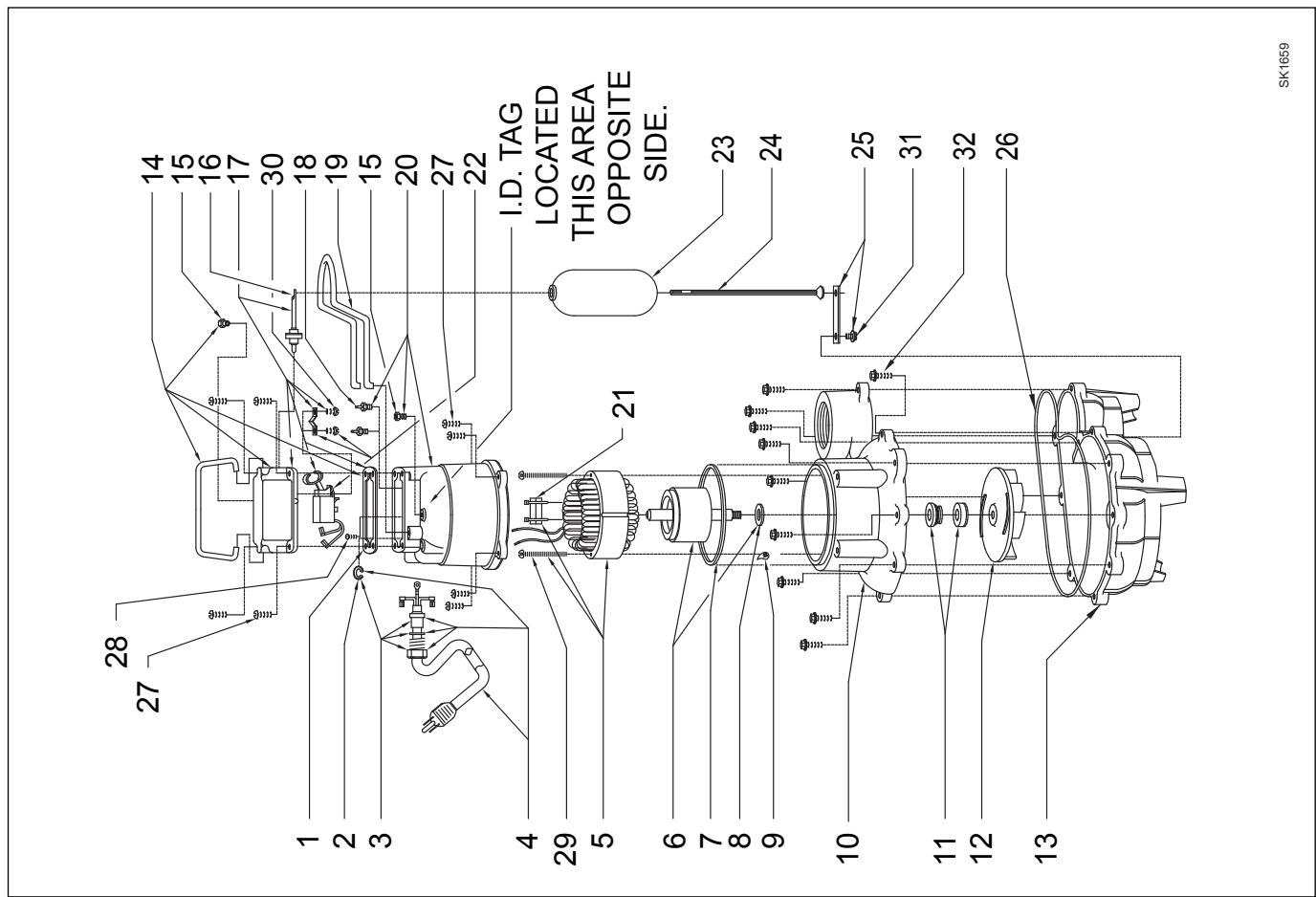
REF. NO.	DESCRIPTION	MODELS:			QTY	NOTES	M264-A		M264-B		D264-A		D264-B	
		6/96 thru 7/09	8/09 thru Current	6/96 thru 7/09			8/09 thru Current	6/96 thru 7/09	8/09 thru Current	6/96 thru 7/09	8/09 thru Current			
1	GASKET, CASE/COVER			1		034046	034046	034046	034046					
2	CLAMP, STRAIN RELIEF			1		004200	N/A	004200	N/A					
3	SEAL CORD-ASM "264"			1	1	06923	06923	06923	06923					
4	CORD TERM & SEAL			1	1	010925	010925	010926	010926					
5	STATOR W/SCREWS 115V/1PH (HPIC or TPIC)			3	3	012084	012084	N/A	N/A					
	STATOR W/SCREWS 230V/1PH (TPIC)			1	3	N/A	N/A	018593	018593					
	STATOR W/SCREWS 115V/1PH (GE/REGAL-BELOIT OR ZMW)			3	3	010271	010271	N/A	N/A					
6	STATOR W/SCREWS 230V/1PH (GE/REGAL-BELOIT OR ZMW)			1	3	N/A	N/A	010272	010272					
	ROTOR ASM 115V/230V 1PH (HPIC or TPIC)			1		012085	012085	012085	012085					
7	SEAL, MTR HSG			1		010270	010270	010270	010270					
8	WASHER, TRST-NVL .875X.504			1		034007	034007	034007	034007					
9	OIL DIELECTRIC (30.5 OZ)			1		002140	002140	002140	002140					
10	HOUSING, PUMP-MACH "264"			1		070751	070751	070751	070751					
11	SEAL ASM, SHAFT-BLISTER PK			1		010718	010718	010718	010718					
12	IMPELLER			1		267027	267027	267027	267027					
13	BASE, PLASTIC			1		002570	002570	002570	002570					
14	CASE HANDLE & ARM			1		005199	005199	005199	005199					
15	PLUG, TEST-WHITE			2		011494	011494	011494	011494					
16	ARM & SEAL ASM			1		034090	034090	034090	034090					
17	CASE & SWITCH			1		011509	011509	011509	011509					
18	SEAL THRU WALL TERM			2		011511	011511	011511	011511					
19	GUARD			1		034042	034042	034042	034042					
20	HOUSING, MTR			1		010717	010717	010717	010717					
21	CAPACITOR			1		004712	004712	004712	004712					
22	SWITCH ASM			1		007642	007642	007642	007642					
23	FLOAT-POLYPROPYLENE			1		004705	004705	004705	004705					
24	ROD, FLOAT-MOLDED			1		034019	034019	034019	034019					
25	GUIDE ASM, FLT ROD			1		010935	010935	010935	010935					
26	O-RING			1	4	005477	005477	005477	005477					
27	SCREW, #10-24 X.75 RHM-SL			8		005701	005701	005701	005701					
28	SCREW, #6-32 X.25 RHM SL TC			1		001885	001885	001885	001885					
29	SCREW, #8-32 X.2.563 RHPL			2		001877	001877	001877	001877					
30	SCREW, #6-32 X.43RHAL TP "1"			2		001914	001914	001914	001914					
31	SEM, 10-12X.5HA-SL SHMT			2		004644	004644	004644	004644					
32	SCREW, #10-10X1-UNSLTD HE			10		003229	003229	003229	003229					
□	REBUILD KIT "264"			1		005326	005326	005326	005326					

• Items included in Rebuild Kit.

□ Not Shown in Illustration.

**NOTES:**

- 1) If an "X" follows Model No., of Date Mfg. on brass ID tag, consult factory for ordering of this part.
- 2) See FM0160 Parts Price Sheet for listing of parts prices.
- 3) Kits are supplied with two different size screws for mounting stators. During assembly verify length and ensure the screws are seated properly.
- 4) O-ring seal not applicable to pumps date coded 09/21 thru current.



**REPLACEMENT PARTS LIST FOR MODELS "N264" and "E264".**

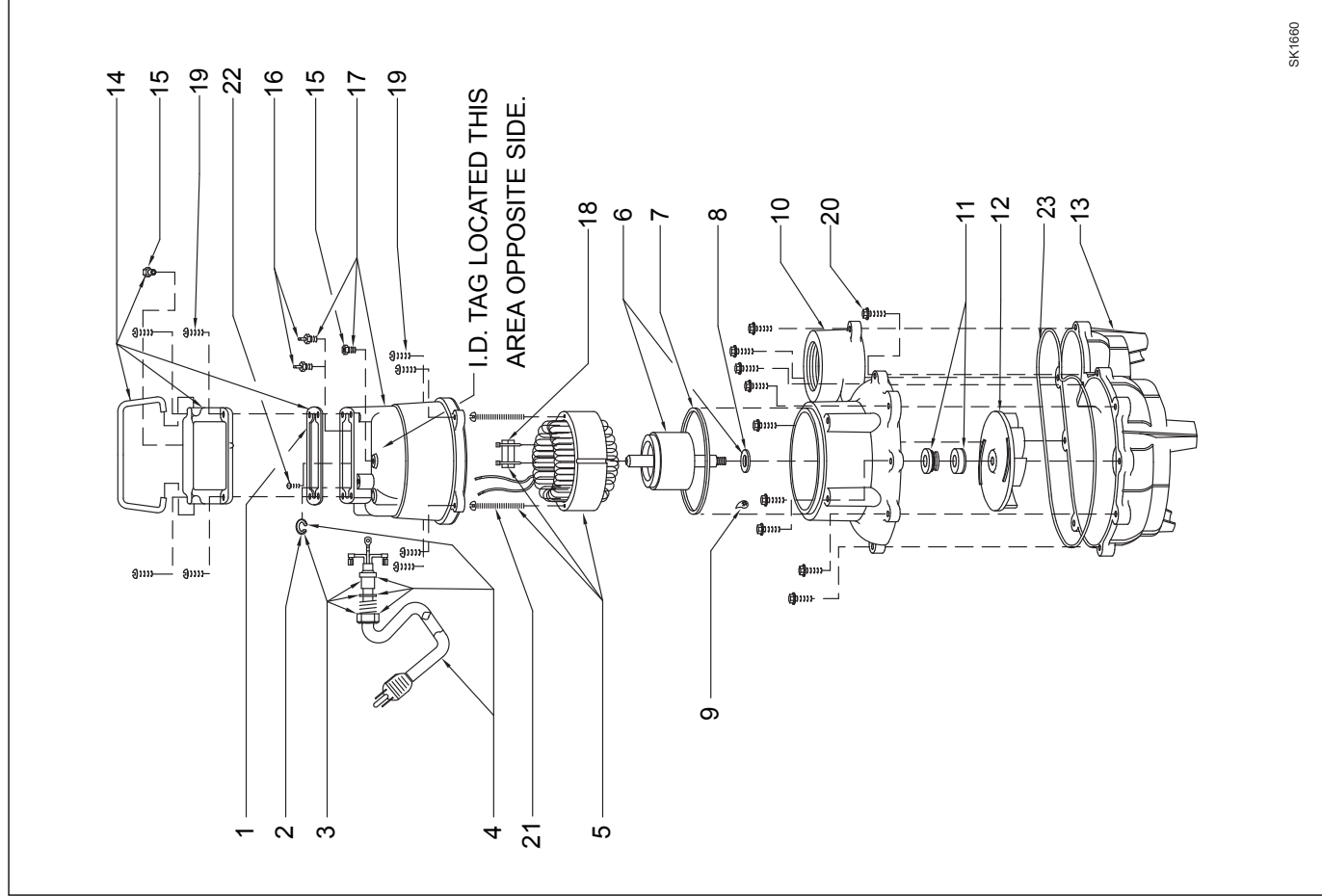
**REPLACEMENT PARTS ILLUSTRATION FOR MODELS "N264" and "E264"**

REF. NO.	DESCRIPTION	MODELS: N264-A			MODELS: N264-B			MODELS: E264-B		
		QTY	NOTES	6/96 thru 7/09	8/09 thru Current	6/96 thru 7/09	8/09 thru Current	6/96 thru 7/09	8/09 thru Current	
1	GASKET, CASE/COVER	1		034046	034046	034046	034046			
2	CLAMP, STRAIN RELIEF	1		004200	N/A	004200	N/A			
3	SEAL,CORD-ASM "264"	1	1	066923	066923	066923	066923			
4	CORD TERM & SEAL 15'	1	1	010927	010927	010928	010928			
5	STATOR W/SCREWS 115V/1PH (HPIC OR TPIC)	3	3	012084	012084	N/A	012084			
	STATOR W/SCREWS 230V/1PH (TPIC)	3	3	N/A	N/A	018593	018593			
	STATOR W/SCREWS 115V/1PH (GE/REGAL-BELOIT OR ZMMW)	3	3	010271	010271	N/A	010271			
6	STATOR W/SCREWS 230V/1PH (GE/REGAL-BELOIT OR ZMMW)	1	3	N/A	N/A	010272	010272			
	ROTOR ASM 115V/230V 1PH (HPIC OR TPIC)	1		012085	012085	012085	012085			
7	SEAL,MTR HSG	1		010270	010270	010270	010270			
	WASHER,TRST-NYL-.875X.504	1		02140	02140	02140	02140			
9	OIL DIELECTRIC-(30.5 OZ)	1		07051	07051	07051	07051			
10	HOUSING,PUMP-MACH "264"	1		010718	010718	010718	010718			
11	SEAL,ASM,SHAFT-BLISTER PK	1		267027	267027	267027	267027			
12	IMPELLER	1		002570	002570	002570	002570			
13	BASE, PLASTIC	1		005199	005199	005199	005199			
14	COVER, HANDLE	1		002580	002580	002580	002580			
15	PLUG, TEST-WHITE	2		034090	034090	034090	034090			
16	SEAL THRU WALL TERM	2		003402	003402	003402	003402			
17	HOUSING,MTR	1		004712	004712	004712	004712			
18	CAPACITOR	1		007642	007642	007642	007642			
19	SCREW,#10-24 X.75 RHM-SL	8		001885	001885	001885	001885			
20	SCREW,#10-10X1-UNSLD HE	10		005326	005326	005326	005326			
21	SCREW,#6-32 X 2.563 RHPL	2		001914	150099	001914	150099			
22	SCREW,#6-32X.25 RHM SL TC	1		001877	001877	001877	001877			
23	O-RING	1	4	005701	005701	005701	005701			
□	REBUILD KIT "264"	1		011515	011515	011515	011515			

□ Items included in Rebuild Kit. □ Not Shown in Illustration.

**NOTES:**

- 1) If an "X" follows Model No., of Date Mfg. on brass ID tag, consult factory for ordering of this part.
- 2) See FM0160 Parts Price Sheet for listing of parts prices.
- 3) Kits are supplied with two different size screws for mounting stators. During assembly verify length and ensure the screws are seated properly.
- 4) O-ring seal not applicable to pumps date coded 09/21 thru current.



**REPLACEMENT PARTS LIST FOR MODELS "WM264".**

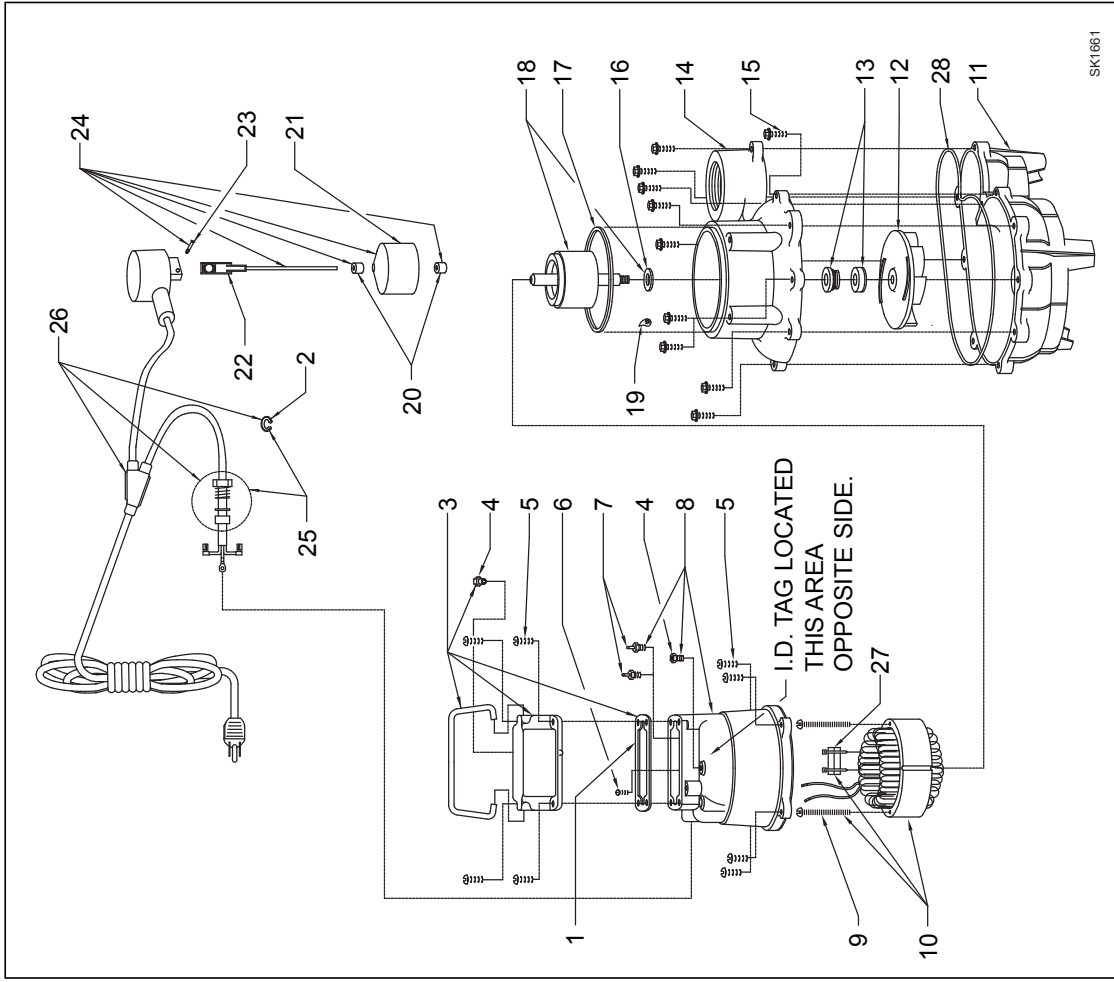
REF. NO.	DESCRIPTION	MODELS: WM264-A		WM264-B	
		QTY	NOTES	6186 thru 7109	9108 thru Current
1	GASKET, CASE/COVER	1		034046	034046
2	CLAMP, STRAIN RELIEF	1		001770	N/A
3	COVER & HANDLE	1		002580	002580
4	PLUG, TEST-WHITE	1		034090	034090
5	SCREW #10-24 X .75 RHM-SL	8		001885	001885
6	SCREW #6-32 X .25 RHM SL TC	1		001877	001877
7	SEAL, THRU WALL TERM	2		003402	003402
8	HOUSING, MTR. & TERM ASM.	1		004712	004712
9	SCREW #8-32 X 2.563 RHPL	2	3	001914	150099
10	STATOR W/SCREWS 115V/1PH (HPIC OR TPIC)	1	3	012084	012084
11	BASE, PLASTIC	1	3	010271	010271
12	IMPELLER	1		005199	005199
13	SEAL ASM, SHAFT-BLISTER PK	1		002570	002570
14	HOUSING, PUMP-MACH "264"	1		267027	267027
15	SCREW #10-10X1-UNSLTD HE	10		010718	010718
16	WASHER, TRST-NYL .875X.504	1		005326	005326
17	SEAL MTR HSG	1		002140	002140
18	ROTOR ASM 115V 1PH (HPIC OR TPIC)	1		034007	034007
19	ROTOR ASM 115/230V 1PH (GE)	1		012085	012085
20	OIL DIELECTRIC (.305 OZ)	1		010270	010270
21	FLOAT ROD STOP-MECH SWIT	2		007051	007051
22	FLOAT, MECH SWITCH	1		009120	009120
23	ROD, FLOAT-VERT SWITCH	1		009119	009119
24	FLOAT ROD RETAINING PIN	1		010499	010499
25	HARDWARE PACK, VERT SW	1		009121	009121
26	SEAL, CORD-ASM "WM264/264"	1		010532	010532
27	SWITCH & CORD, SEAL ASM WM264	1		011562	011562
28	CAPACITOR	1		011563	011563
29	O-RING	1	4	007642	007642
30	REBUILD KIT "WM264/WM1264"	1		005701	005701
31		1		011514	011514

• Items included in Rebuild Kit. □ Not Shown in Illustration.

**NOTES:**

- 1) If an "X" follows Model No., of Date Mfg. on brass ID tag, consult factory for ordering of this part.
- 2) See FM0160 Parts Price Sheet for listing of parts prices.
- 3) Kits are supplied with two different size screws for mounting stators. During assembly verify length and ensure the screws are seated properly.
- 4) O-ring seal not applicable to pumps date coded 09/21 thru current.

**REPLACEMENT PARTS ILLUSTRATION FOR MODEL "WM264".**



SK11861