

MODELS 266/267



2 inch solids-passing
pump with vortex
impeller for added
reliability.



Submersible Sewage or Dewatering Pumps

ZOELLER 
PUMP COMPANY

zoellerpumps.com | 800-928-7867 | 3649 Cane Run Rd., Louisville, KY 40211



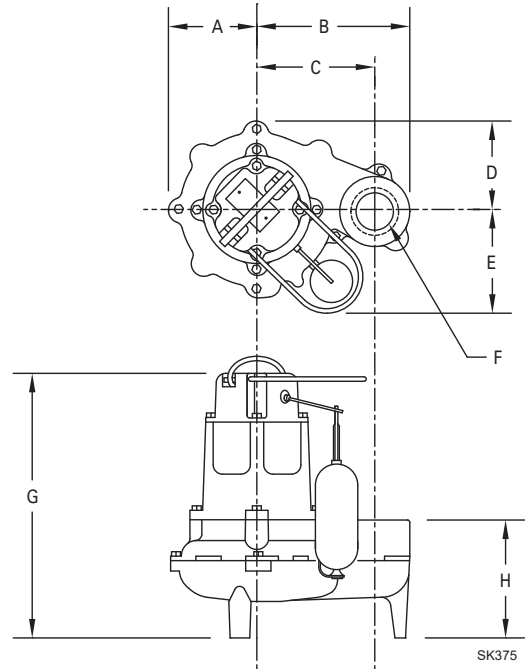
Features:

- Split phase or 3 phase
- 1/2 HP 115-460 V
- Performance up to 21.5' (6.6 m)
- Flows up to 128 GPM (484 LPM)
- Cast iron cap, motor housing, and pump housing
- Cast iron or engineered plastic base
- Non-clogging vortex impeller
- Corrosion-resistant, powder coated epoxy paint

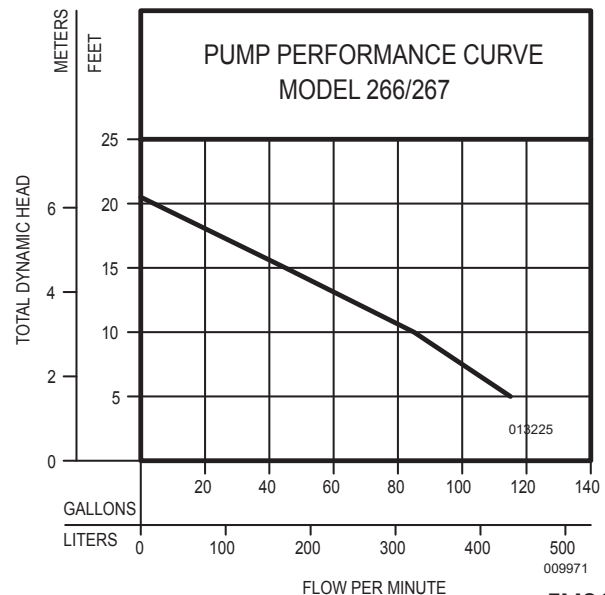
100% factory tested

PRODUCT SPECIFICATIONS

MOTOR	Horse Power	1/2
	Voltage	115 - 460
	Phase	1 or 3 Ph
	Hertz	60 Hz
	RPM	1725
	Type	Split phase or 3 Ph
	Insulation	Class B
	Amps	2.0 - 9.4
	PUMP	Operation
Auto On/Off Points		12" (30 cm) / 4" (10 cm)
Discharge Size		2" female or 3" NPT male
Solids Handling		2" (50 mm) spherical solids
Cord Length		10' (3 m) automatic or 15' (5 m) nonautomatic
Cord Type		UL listed neoprene cord and plug
Max. Head		21.5' (6.6 m)
Max. Flow Rate		128 GPM (484 LPM)
Max. Operating Temp.		130 °F (54 °C)
Cooling		Oil filled
Motor Protection		Auto reset thermal overload (1 Ph)
MATERIALS		Cap
	Motor Housing	Cast iron
	Pump Housing	Cast iron
	Base	Cast iron or engineered plastic
	Upper Bearing	Sleeve bearing
	Lower Bearing	Sleeve bearing
	Mechanical Seals	Carbon and ceramic
	Impeller Type	Non-clogging vortex
	Impeller	Engineered plastic w/ metal insert
	Hardware	Stainless steel
	Motor Shaft	AISI 1215 cold rolled steel
	Gasket	Neoprene
	Min. Basin Size	Simplex: 18" x 30" (45.7 x 76.2 cm) Duplex: 30" x 36" (76.2 x 91.4 cm)



NOTE: The sizing of effluent systems normally requires variable level float(s) controls and properly sized basins to achieve required pumping cycles or dosing timers with nonautomatic pumps. See model comparison chart for specific details.
MAY BE USED IN THOSE STATES WHERE CODES DO NOT RESTRICT SOLIDS SIZE IN EFFLUENT SYSTEMS.



MODEL		266/267	
Feet	Meters	Gal.	Liters
5	1.5	115	435
10	3.0	85	322
15	4.6	45	170
Shut-off Head:		20.5 ft.(6.2 m)	



FM3121
0123
Supersedes
0422

CAUTION All installation of controls, protection devices and wiring should be done by a qualified licensed electrician. All electrical and safety codes should be followed including the most recent National Electrical Code (NEC) and the Occupational Safety and Health Act (OSHA).