

Product information presented here reflects conditions at time of publication. Consult factory regarding discrepancies or inconsistencies.

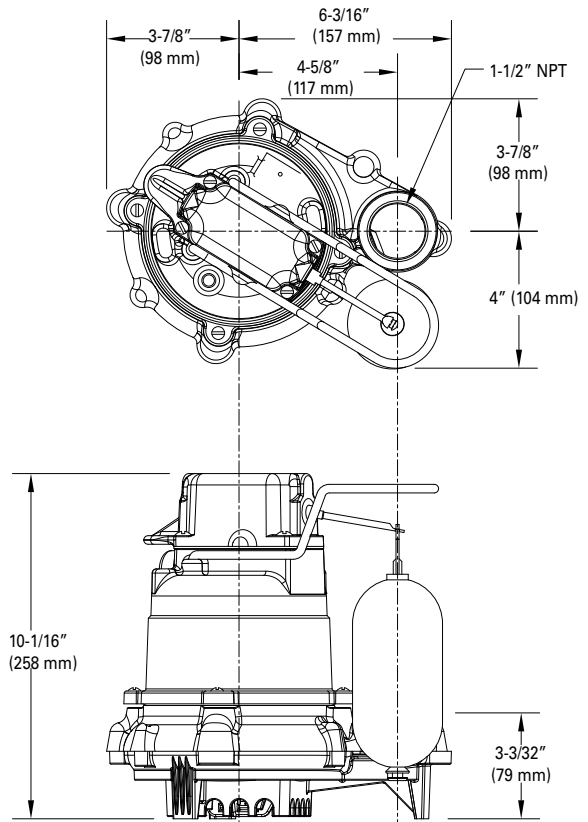


TECHNICAL DATA SHEET MIGHTY-MATE SERIES

Cast Iron Models 53, 57 and Bronze Models 55, 59
Submersible Effluent / Dewatering Pumps

PRODUCT SPECIFICATIONS

| | | |
|------------------|----------------------|---|
| MOTOR | Horse Power | 3/10 |
| | Voltage | 115 or 230 |
| | Phase | 1 Ph |
| | Hertz | 60 Hz |
| | RPM | 1550 |
| | Type | Shaded pole |
| | Insulation | Class B |
| | Amps | 4.8 - 9.7 |
| PUMP | Operation | Automatic or nonautomatic |
| | Auto On/Off Points | 7-1/4" (18.4 cm) / 3" (7.6 cm) |
| | Discharge Size | 1-1/2" NPT |
| | Solids Handling | 1/2" (12 mm) spherical solids |
| | Cord Length | 9' (3 m) automatic, 15' (5 m) nonautomatic |
| | Cord Type | UL listed, 3-wire, grounded plug |
| | Max. Head | 19.25' (5.9 m) |
| | Max. Flow Rate | 43 GPM (163 LPM) |
| | Max. Operating Temp. | 130° F (54° C) |
| | Cooling | Oil filled |
| MATERIALS | Motor Protection | Auto reset thermal overload |
| | Cap | Cast iron or bronze |
| | Motor Housing | Cast iron or bronze |
| | Pump Housing | Cast iron or bronze |
| | Base | Cast iron, bronze or engineered thermoplastic |
| | Upper Bearing | Sleeve bearing |
| | Lower Bearing | Sleeve bearing |
| | Mechanical Seals | Carbon and ceramic |
| | Impeller Type | Non-clogging vortex |
| | Impeller | Plastic, cast iron or bronze |
| | Hardware | Stainless steel |
| | Motor Shaft | AISI 1215 cold rolled steel |
| | Gasket | Neoprene |



SK858

NOTE: See model comparison chart for specific details.



**DRAINAGE
SOLUTIONS, INC**

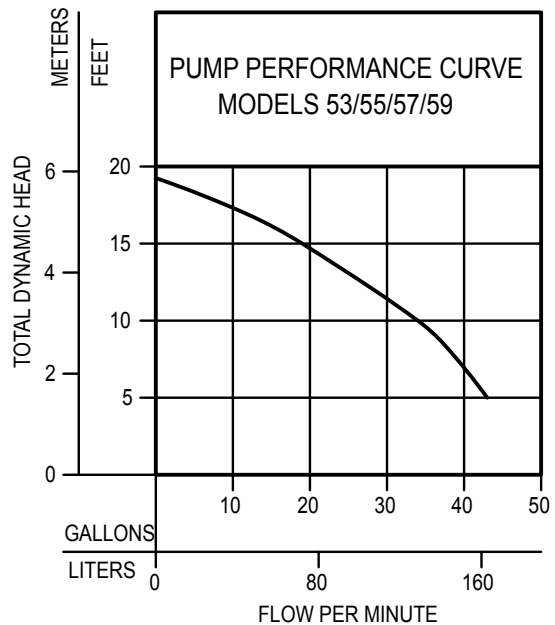
(317)346-4110

www.drainagesolutionsinc.com



TOTAL DYNAMIC HEAD FLOW PER MINUTE

| MODEL | | 53/55/57/59 | |
|----------------|--------|-----------------|--------|
| Feet | Meters | Gal. | Liters |
| 5 | 1.5 | 43 | 163 |
| 10 | 3.0 | 34 | 129 |
| 15 | 4.6 | 19 | 72 |
| Shut-off Head: | | 19.25 ft.(5.9m) | |



009897

| Model | MODEL COMPARISON | | | | | | | | | | |
|-------------|------------------|------|-------|----|------|------|----|---------|---------|---------|--------|
| | Seal | Mode | Volts | Ph | Amps | HP | Hz | Lbs | Kg | Simplex | Duplex |
| M53/M55 | Single | Auto | 115 | 1 | 9.7 | 3/10 | 60 | 23 | 10 | 1 | --- |
| N53/N55 | Single | Non | 115 | 1 | 9.7 | 3/10 | 60 | 23 | 10 | 2 | 3 & 4 |
| * BN53 | Single | Auto | 115 | 1 | 9.7 | 3/10 | 60 | 25 | 11 | * | --- |
| * BE53/BE57 | Single | Auto | 230 | 1 | 4.8 | 3/10 | 60 | 24 / 30 | 11 / 13 | * | --- |
| D53 | Single | Auto | 230 | 1 | 4.8 | 3/10 | 60 | 23 | 10 | 1 | --- |
| E53/E55 | Single | Non | 230 | 1 | 4.8 | 3/10 | 60 | 22 | 10 | 2 | 3 & 4 |
| M57/M59 | Single | Auto | 115 | 1 | 9.7 | 3/10 | 60 | 29 / 33 | 13 / 15 | 1 | --- |
| N57/N59 | Single | Non | 115 | 1 | 9.7 | 3/10 | 60 | 28 / 29 | 12 / 13 | 2 | 3 & 4 |
| * BN57 | Single | Auto | 115 | 1 | 9.7 | 3/10 | 60 | 30 | 13 | * | --- |
| D57/D59 | Single | Auto | 230 | 1 | 4.8 | 3/10 | 60 | 30 / 33 | 13 / 15 | 1 | --- |
| E57/E59 | Single | Non | 230 | 1 | 4.8 | 3/10 | 60 | 28 / 29 | 12 / 13 | 2 | 3 & 4 |
| E59 | Single | Non | 230 | 1 | 4.8 | 3/10 | 60 | 29 | 13 | 2 | 3 & 4 |

* Single piggyback switch included.

SPECIAL MODEL FEATURES

Additional cord lengths are available in 15' (5 m), 25' (8 m) and 35' (11 m). 50' (15 m) cord lengths available for 230 V units only.

BE and BN models include a piggyback variable level pump switch.

Model 53: cast iron switch case, motor and pump housing, a plastic impeller and base. Model 57: all cast iron construction with a cast iron impeller. Model 55: bronze switch case, motor and pump housing, a plastic impeller and base. Model 59: bronze construction with a bronze impeller.

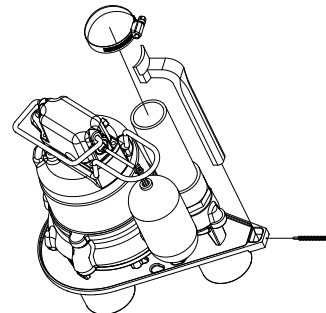
Optional pump stand (P/N 10-2421).

SELECTION GUIDE

1. Integral float-operated mechanical switch, no external control required.
2. Single piggyback variable level float switch or double piggyback variable level float switch. Refer to FM0477.
3. See FM0712 for correct model of Electrical Alternator.
4. Variable level control switch 10-0743 used as a control activator with electrical alternator (3) or (4) float system.

OPTIONAL PUMP STAND P/N 10-2421

- Reduces potential clogging by debris
 - Replaces rocks or bricks under the pump
 - Made of durable, noncorrosive ABS
 - Raises pump 2" (5 cm) off bottom of basin
 - Provides the ability to raise intake by adding sections of 1½" or 2" (DN40 or DN50) PVC piping
 - Attaches securely to pump
 - Accommodates sump, dewatering and effluent applications
- NOTE: Make sure float is free from obstruction.



CAUTION All installation of controls, protection devices and wiring should be done by a qualified licensed electrician. All electrical and safety codes should be followed including the most recent National Electrical Code (NEC) and the Occupational Safety and Health Act (OSHA).

© Copyright 2020 Zoeller® Co. All rights reserved.

502-778-2731 | 800-928-7867 | 3649 Cane Run Road | Louisville, KY 40211-1961 | zoellerpumps.com