

Trusted. Tested. Tough.®

Product information presented here reflects conditions at time of publication. Consult factory regarding discrepancies or inconsistencies.



FM0431  
0719  
Supersedes  
0816

**MAIL TO:** P.O. BOX 16347 • Louisville, KY 40256-0347  
**SHIP TO:** 3649 Cane Run Road • Louisville, KY 40211-1961  
**TEL:** (502) 778-2731 • 1 (800) 928-PUMP • **FAX:** (502) 774-3624

**Visit our web site:**  
**zoellerpumps.com**



(317) 346-4110  
www.drainagesolutionsinc.com

## REPLACEMENT PARTS LIST FOR MODELS:

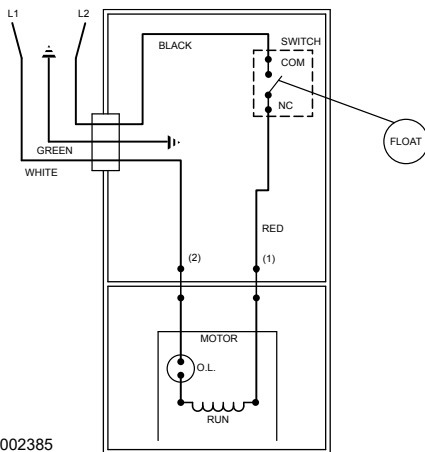
M57 AUTOMATIC 115V  
D57 AUTOMATIC 230V  
N57 NONAUTOMATIC 115V  
E57 NONAUTOMATIC 230V

Consult factory for all other models.

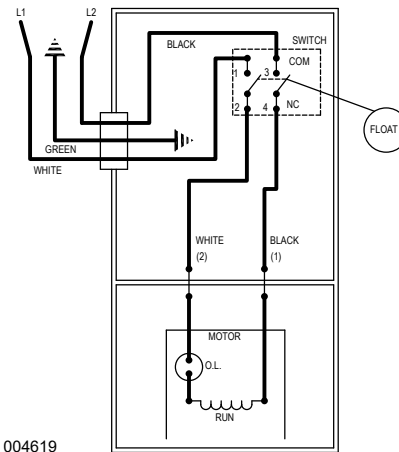
### TO ORDER REPLACEMENT PARTS:

#### PLEASE FURNISH THE FOLLOWING INFORMATION:

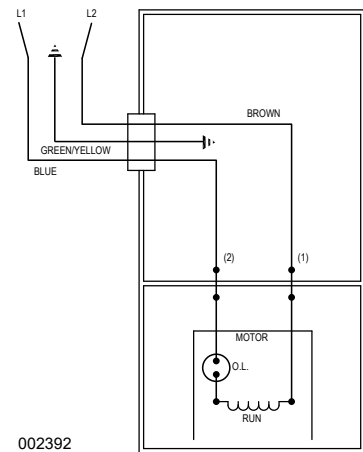
- Model number
- Part number of pump  
(If manufactured prior to June 1988, give 2 letter date code following Model No.)
- Part number and description of part



WIRING DIAGRAM FOR MODELS  
"M57-A" and "M57-B"  
"D57-A" and "D57-B"  
8/79 (UI) thru 8/86 (US)



WIRING DIAGRAM FOR MODELS  
"M57-C", "M57-D" and "M57-E"  
"D57-C", "D57-D" and "D57-E"  
9/86 (VS) thru Current



WIRING DIAGRAM FOR MODELS  
"N57", "N57-A", "N57-B", "N57-C", "N57-D"  
"E57", "E57-A", "E57-B", "E57-C", "E57-D"  
8/79 (UI) thru Current

# REPLACEMENT PARTS LIST FOR MODELS "M57" and "D57".

See back page for "M57" and "D57" illustration.

REF NO.	DESCRIPTION	QTY	NOTES	MODELS:					D57-A	D57-B	D57-C	D57-D	D57-E
				M57-A	M57-B	M57-C	M57-D	M57-E					
				8/79 UI thru 12/80 VJ	1/81 MM thru 8/86 US	9/86 VS thru 3/87 OT	4/87 PT thru 6/92	7/92 thru Current	8/79 UI thru 12/80 VJ	1/81 MM thru 8/86 US	9/86 VS thru 3/87 OT	4/87 PT thru 6/92	7/92 thru Current
1	• Gasket,Case/Cover	1		034046	034046	034046	034046	034046	034046	034046	034046	034046	034046
2	• Clamp,Strain Relief-Red	1	1	001770	001770	001770	001770	001770	001770	001770	001770	001770	001770
3	• Seal,Cord-Asm	1	1	054025	002326	004322	004322	004322	054025	002326	004322	004322	004322
4	Cord Term & Seal	1	1	054026	002321	004700	004700	004700	054057	002320	004707	004707	004707
5	Stator	1		054040	054040	054040	054040	007951	N/A	N/A	N/A	054050	007952
6	• Screw,#8-32 X 2.563 RHPI-Stlbo	2		001914	001914	001914	001914	001914	001914	001914	001914	001914	001914
7	Rotor Asm	1		054032	054032	054032	054032	054032	054032	054032	054032	054032	054032
8	• Seal,Mtr Hsg	1		034007	034007	034007	034007	034007	034007	034007	034007	034007	034007
9	• Washer,Trst-Nyl.875X.504X.050"	1		002140	002140	002140	002140	002140	002140	002140	002140	002140	002140
10	• Oil,Dielectric-(19 Oz Can)	1		002588	002588	002588	002588	002588	002588	002588	002588	002588	002588
11	Housing,Pump-Mach	1		057018	057018	057018	057018	057018	057018	057018	057018	057018	057018
12	• Seal Asm,Shaft-Blister Pak	1		267027	267027	267027	267027	267027	267027	267027	267027	267027	267027
13	Impeller "57"	1		057010	057010	057010	057010	057010	057010	057010	057010	057010	057010
14	Base Asm	1		057029	057029	057029	057029	057029	057029	057029	057029	057029	057029
15	Plate,Strainer-Plastic	1		001082	001082	001082	N/A	N/A	001082	001082	001082	N/A	N/A
16	Case Handle & Arm "50"	1	2	054092	054092	004703	004703	004703	054093	054093	004703	004703	004703
17	• Plug,Test-White	2		034090	034090	034090	034090	034090	034090	034090	034090	034090	034090
18	• Arm & Seal Asm "50"	1		054080	054080	004704	004704	004704	054080	054080	004704	004704	004704
19	Case & Switch "50"	1	5	054051	054051	004702	004702	004702	054053	054053	004702	004702	004702
20	Guard "50"	1		004645	004645	004645	004645	004645	004645	004645	004645	004645	004645
21	• Seal,Thru Wall Term	2		003402	003402	003402	003402	003402	003402	003402	003402	003402	003402
22	Housing,Mtr-& Term Asm "50"	1		057014	002335	004712	004712	004712	057014	002335	004712	004712	004712
23	Float-Polypropylene	1		034019	034019	034019	034019	034019	034019	034019	034019	034019	034019
24	Rod , Float-Molded "50"	1		054062	054062	054062	054062	054062	054062	054062	054062	054062	054062
25	Guide Asm,Ft Rod	1		034086	034086	034086	034086	034086	034086	034086	034086	034086	034086
26	Switch Asm "50"	1		N/A	N/A	004705	004705	004705	N/A	N/A	004705	004705	004705
□	Wire Asm-F-P(1)Wire Rs2.25"Lg	1		002231	002231	N/A	N/A	N/A	002231	002231	N/A	N/A	N/A
27	• Screw,#10-24 X.75 RHM-SI SS	12		001885	001885	001885	001885	001885	001885	001885	001885	001885	001885
28	• Screw,#6-32x.438Rhsltp"1"Stlzi	2		001877	001877	004644	004644	004644	001877	001877	004644	004644	004644
29	• Screw,#6-32x.25RHM SI Tc Stlgr	3		001877	001877	001877	001877	001877	001877	001877	001877	001877	001877
30	• Sem,10-24x.375HH-SI Tc.688Wash	3		002000	002000	002000	002000	002000	002000	002000	002000	002000	002000
□	Rebuild Kit "57/59"	1		057059	057059	004716	004716	004716	057059	057059	004716	004716	004716

• Items included in Rebuild Kit.

□ Not Shown in Illustration.

§ Not sold separately.

**NOTES:**

- 1) Strain relief (Item 2) can be purchased separately, but is included with cord, terminal & seal assembly (Item 4) and with seal, cord assembly (Item 3).
- 2) See FM0160 Parts Price Sheet for listing of parts prices.
- 3) "NA" indicates, not applicable.
- 4) If an "X" follows Model No., or Date Mfg. on brass ID tag, consult factory for ordering any parts.
- 5) For pumps with date code prior to 9/86 the replacement case & switch will have a new style switch.

Special Length Cords		
Length	M57- C thru E	D57 - C thru E
15' cord	005566	002318
20' cord	014530	Consult factory
25' cord	004991	Consult factory
35' cord	Consult factory	Consult factory
50' cord	N/A	Consult factory

# REPLACEMENT PARTS LIST FOR MODELS "N57" and "E57".

See back page for "N57" and "E57" illustration

REF NO.	DESCRIPTION	QTY	NOTES	MODELS:									
				N57	N57-A	N57-B	N57-C	N57-D	E57	E57-A	E57-B	E57-C	E57-D
				8/79 UI thru 12/80 YJ	1/81 MM thru 8/86 US	9/86 VS thru 3/87 OT	4/87 thru 6/92	7/92 thru Current	8/79 UI thru 12/80 YJ	1/81 MM thru 8/86 US	9/86 VS thru 3/87 OT	4/87 thru 6/92	7/92 thru Current
1	• Gasket,Case/Cover	1		034046	034046	034046	034046	034046	034046	034046	034046	034046	034046
2	• Clamp,Strain Relief-Red	1	1	001770	001770	001770	001770	001770	001770	001770	001770	001770	001770
3	• Seal,Cord-Asm	1	1	054025	002326	004322	004322	004322	054025	002326	004322	004322	004322
4	Cord Term & Seal	1	1	054069	002319	004708	004708	004708	054070	002318	004709	004709	004709
5	Stator Regal-Beloit	1		054040	054040	054040	054040	007951	054050	N/A	N/A	N/A	007952
6	• Screw,#8-32 X 2.563 RHPI-Stlbo	2		001914	001914	001914	001914	001914	001914	001914	001914	001914	001914
7	Rotor Asm Regal-Beloit	1		054032	054032	054032	054032	054032	054032	054032	054032	054032	054032
8	• Seal,Mtr Hsg	1		034007	034007	034007	034007	034007	034007	034007	034007	034007	034007
9	• Washer,Trst-Nyl.875X.504X.050"	1		002140	002140	002140	002140	002140	002140	002140	002140	002140	002140
10	• Oil,Dielectric-(19 Oz Can)	1		002588	002588	002588	002588	002588	002588	002588	002588	002588	002588
11	Housing,Pump-Mach	1		057018	057018	057018	057018	057018	057018	057018	057018	057018	057018
12	• Seal Asm,Shaft-Blister Pak	1		267027	267027	267027	267027	267027	267027	267027	267027	267027	267027
13	Impeller "57"	1		057010	057010	057010	057010	057010	057010	057010	057010	057010	057010
14	Base Asm	1		057029	057029	057029	057029	057029	057029	057029	057029	057029	057029
15	Plate,Strainer-Plastic	1		001082	001082	001082	N/A	N/A	001082	001082	001082	N/A	N/A
16	Cover & Handle "50"	1		034067	034067	034067	034067	034067	034097	034097	034097	034097	034097
17	• Plug,Test-White	2		034090	034090	034090	034090	034090	034090	034090	034090	034090	034090
18	• Seal,Thru Wall Term	2		003402	003402	003402	003402	003402	003402	003402	003402	003402	003402
19	Housing,Mtr-& Term Asm "50"	1		057014	002335	004712	004712	004712	057014	002335	004712	004712	004712
20	• Screw,#10-24 X.75 RHM-SI SS	12		001885	001885	001885	001885	001885	001885	001885	001885	001885	001885
21	• Sem,10-24x.375HH-SI Tc.688Wash	3		002000	002000	002000	002000	002000	002000	002000	002000	002000	002000
22	• Screw,#6-32x.25RHM SI Tc Stlgr	1		001877	001877	001877	001877	001877	001877	001877	001877	001877	001877
□	Rebuild Kit "57"	1		057059	057059	004716	004716	004716	057059	057059	004716	004716	004716

• Items included in Rebuild Kit.

□ Not Shown in Illustration.

§ Not sold separately.

**NOTES:**

- 1) Strain relief (Item 2) can be purchased separately, but is included with cord, terminal & seal assembly (Item 4) and with seal, cord assembly (Item 3).
- 2) See FM0160 Parts Price Sheet for listing of parts prices.
- 3) "NA" indicates, not applicable.
- 4) If an "X" follows model No., or date Mfg. on brass ID tag, consult factory for ordering any parts.

Special Length Cords		
Length	N57 - B thru D	E57 - B thru D
20' cord	011693	Consult factory
25' cord	013046	Consult factory
35' cord	019471	Consult factory
50' cord	N/A	Consult factory

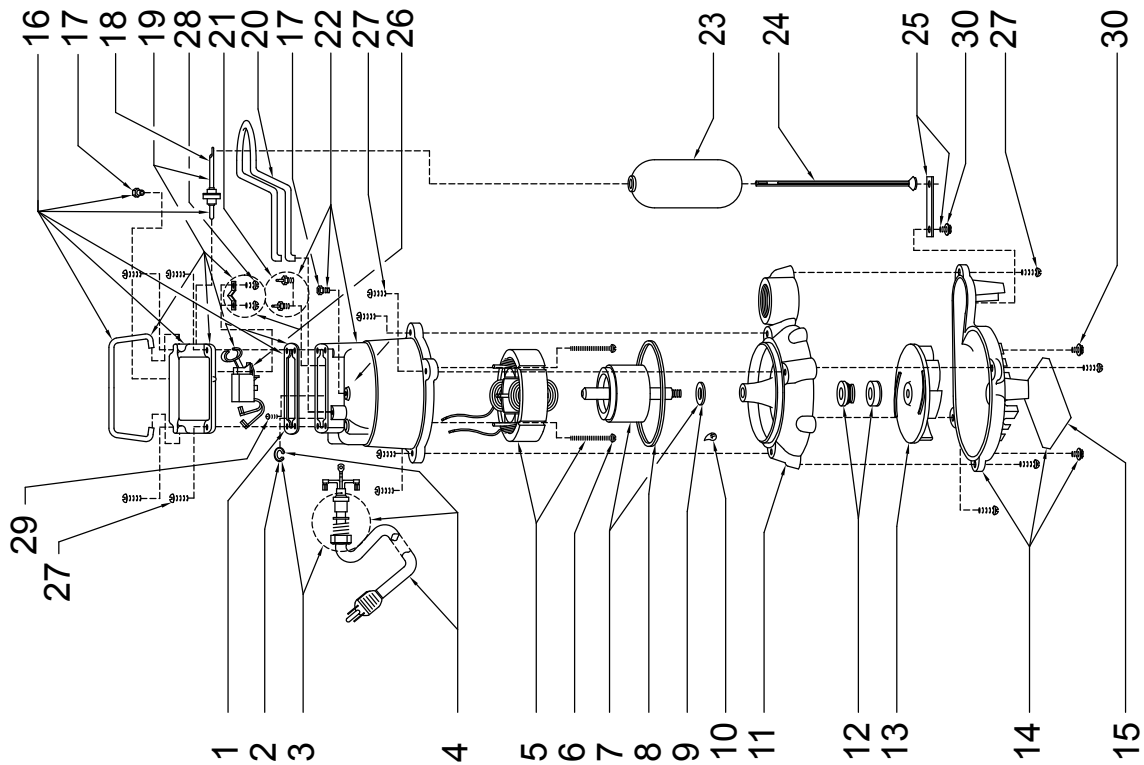


**MAIL TO:** P.O. BOX 16347 • Louisville, KY 40256-0347  
**SHIP TO:** 3649 Cane Run Road • Louisville, KY 40211-1961  
 (502) 778-2731 • 1 (800) 928-PUMP • **FAX** (502) 774-3624

**Visit our web site:**  
[zoellerpumps.com](http://zoellerpumps.com)

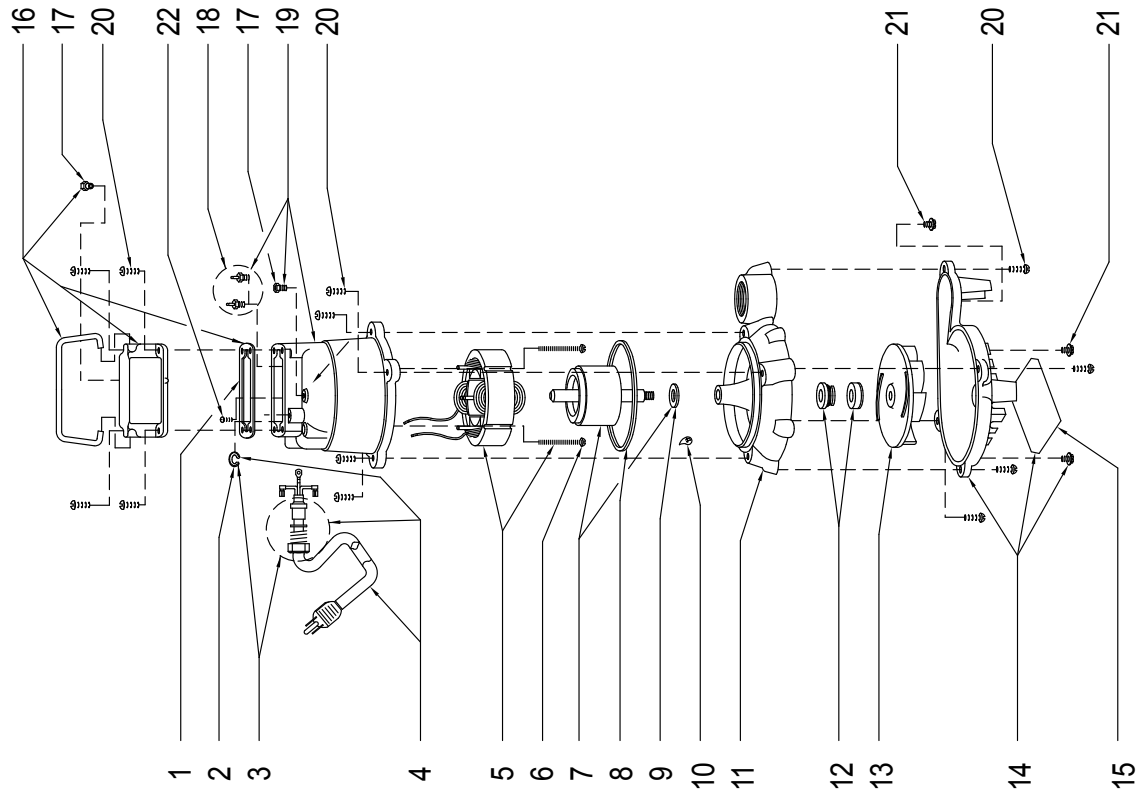
Trusted. Tested. Tough.®

REPLACEMENT PARTS ILLUSTRATION FOR MODELS "M57" AND "D57"



SKA271

REPLACEMENT PARTS ILLUSTRATION FOR MODELS "N57" AND "E57"



SKA908