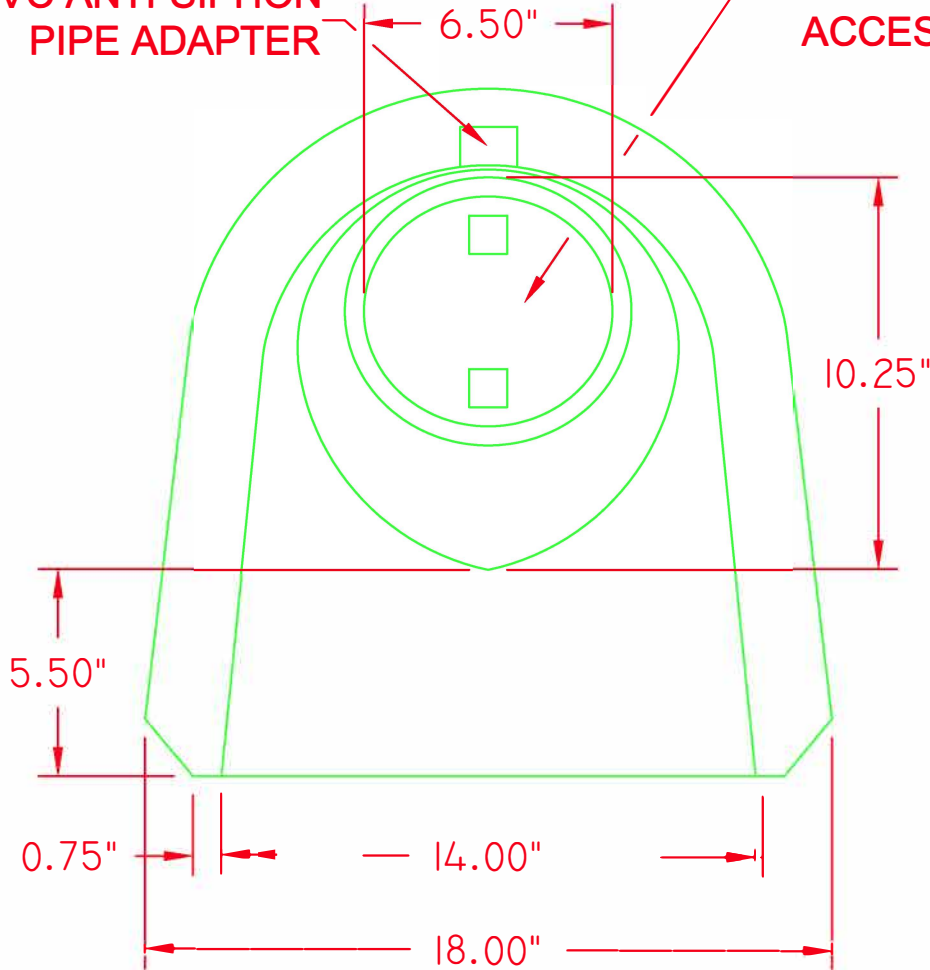


1" PVC ANTI-SIPHON
PIPE ADAPTER

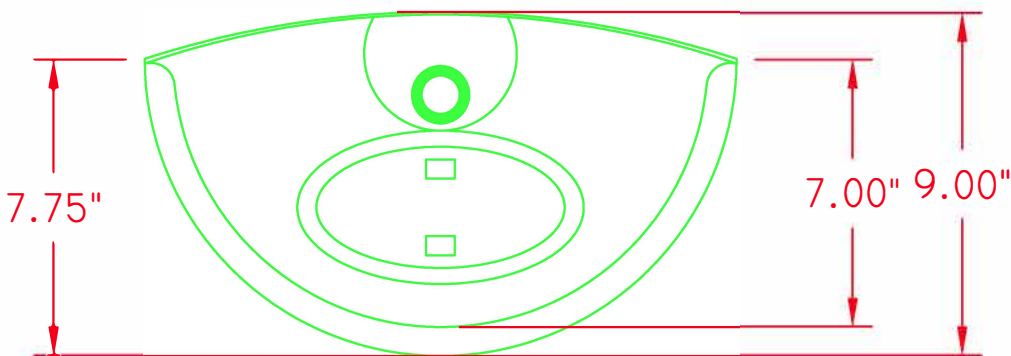
REMOVABLE WATERTIGHT
ACCESS PORT, 6" OPENING



FRONT



SIDE



PLAN

DESIGNED TO FIT
36"-48" DIAM.
STRUCTURES

US PATENT #6126817 ADDITIONAL PATENTS PENDING

BMP, INC.



(317) 346-4110
www.drainagesolutionsinc.com

DESCRIPTION	DATE	SCALE
12R SNOOT OIL & DEBRIS STOP	09/09/99	NONE
	DRAWING NUMBER 12R	