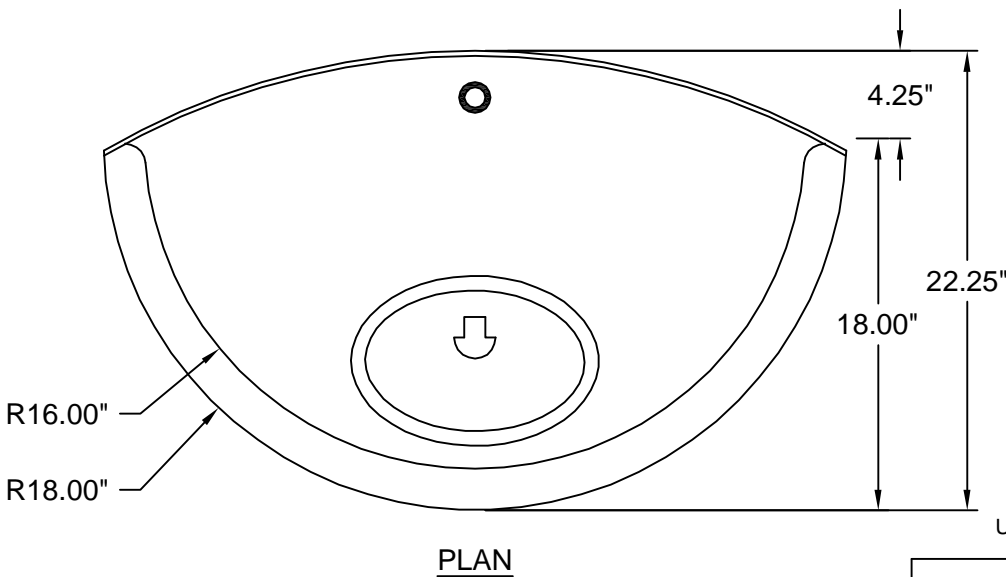
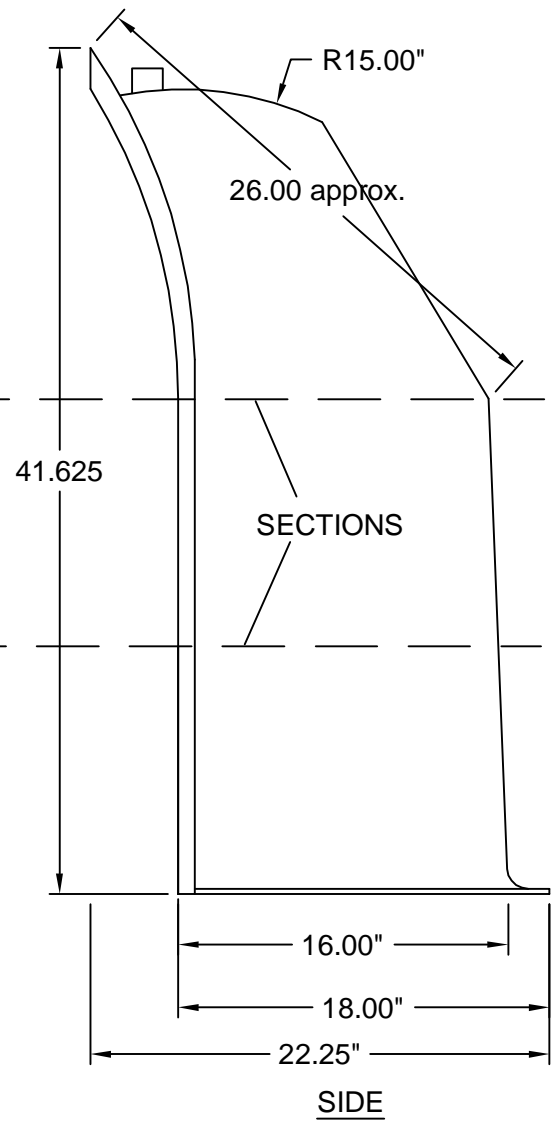
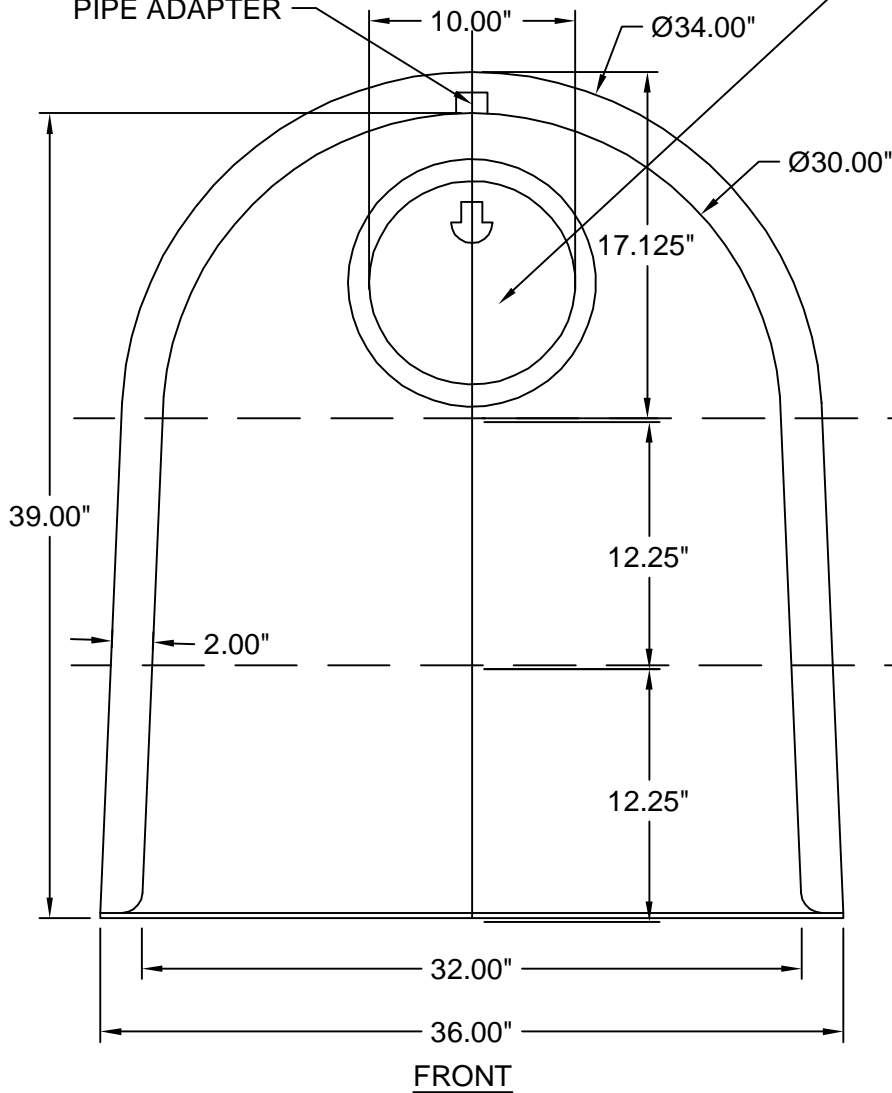


1" PVC ANTI-SIPHON  
PIPE ADAPTER

REMOVABLE WATERTIGHT  
ACCESS PORT, 10" OPENING



**DRAINAGE  
SOLUTIONS, INC**

(317) 346-4110

www.drainagesolutionsinc.com

U.S. PATENT #6126817 ADDITIONAL PATENTS PENDING

DESIGNED TO FIT  
60"-72" DIAM.  
STRUCTURES  
RECOMMENDED MIN.  
SUMP DEPTH 2.5 TO 3X  
OUTLET PIPE I.D.

**BMP, INC.**

DESCRIPTION	DATE	SCALE
30R SNOOT SPLIT DRAFT	2-05-15	NONE