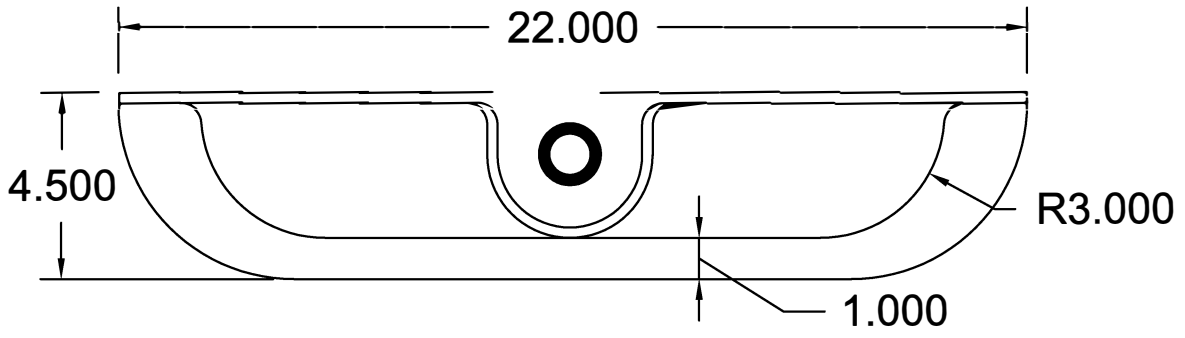


4.500


SIDE VIEW



TOP VIEW

US PATENT #6126817
CANADA PATENT# 2285146

BMP, INC.

 (317) 346-4110
DRAINAGE SOLUTIONS, INC. www.drainagesolutionsinc.com

DESCRIPTION	DATE	SCALE
BMP LP318F LOW PROFILE SNOUT	04/02/07	NONE
DRAWING NUMBER		
LP318F		