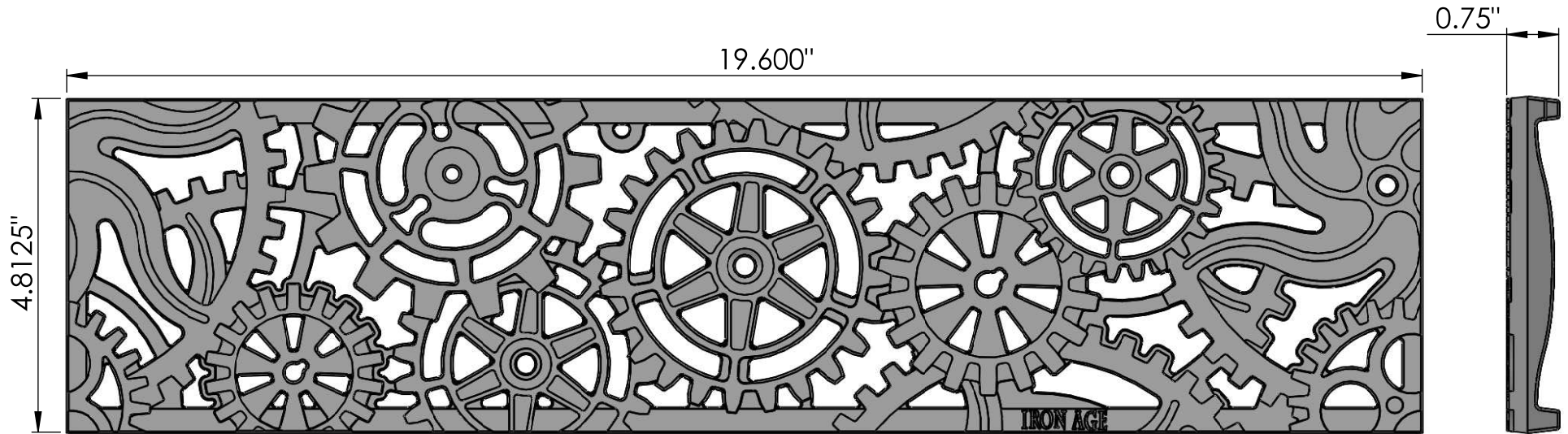
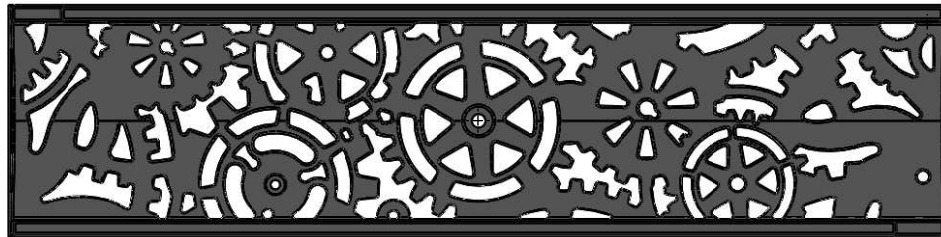


4x Array

Scale 1:7



TOP
Scale 1:2.25



Back
Scale 1:4



Perspective
Scale 1:5

NOTES:

1. Material: cast iron
2. Natural finish
3. Edge thickness: 3/4"
4. Fits ACO™ K100/K100S, ABT® Polydrain®, MEA® 1000 Series
5. ADA Compliant: No opening greater than 1/2"
6. Weight approx. <9lbs
7. Free Drain Area: 26.2%
8. Due to casting inconsistencies all dimensions are nominal



**IRON AGE
DESIGNS**



(317) 346-4110
www.drainagesolutionsinc.com

Dynamo 5"x20" Trench Grate

JOB NO.

Drawn by: JH

DWG. NO.

DYN.I.5x20

Date: 7/29/13

Scale: NTS

© 2013 Iron Age Designs

Registration Number:
VA 1-964-890