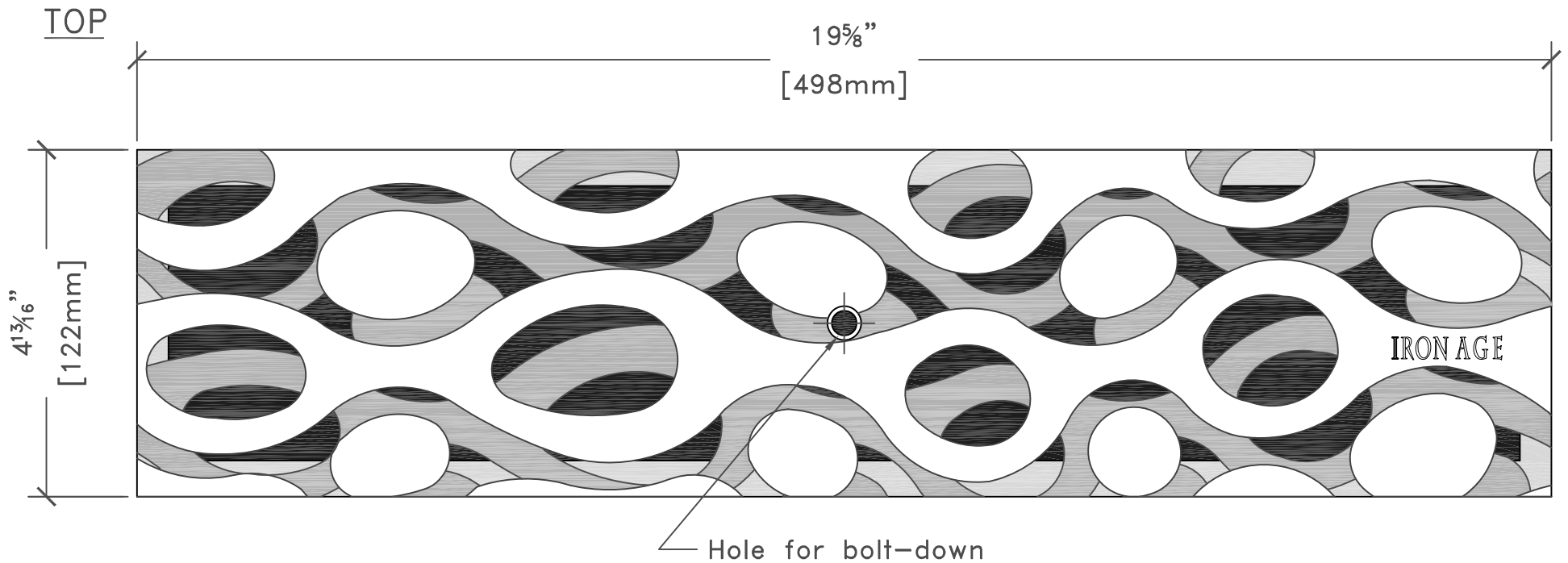
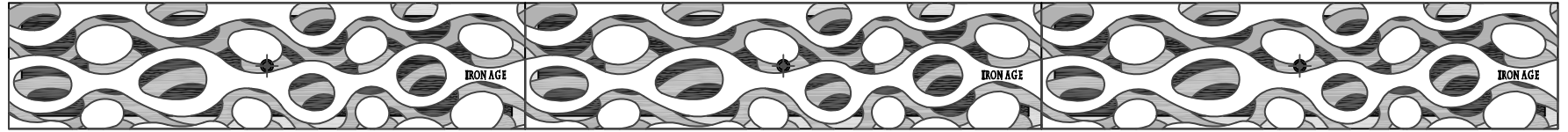


3 GRATES ARRAYED



NOTES:

1. Material: cast iron
2. Natural finish
3. Total thickness: $\frac{13}{16}$ "
4. Fits drain channels manufactured by:
ABT® PolyDrain®
ACO™ K100/K100S, KS100
MEA® 1000 Series
5. No openings greater than $\frac{1}{2}$ "
6. Free Drain Area = 14.5%
7. Due to casting inconsistencies, all dimensions are nominal.



(317) 346-4110
www.drainagesolutionsinc.com

Janis 5"x20" Trench Grate
drawing no. JAN.A.05x20

drawn by: CD
scale: NTS
date: 01/01/09

ABT® PolyDrain®
ACO™ K100/K100S, KS100
MEA® 1000 Series

Registration Number:
VA 2-007-078

© 2009 Iron Age Designs