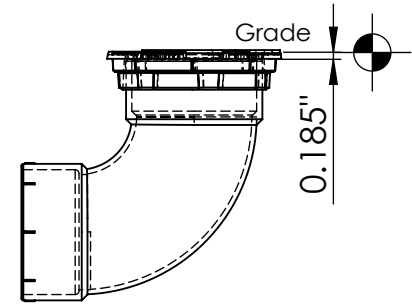
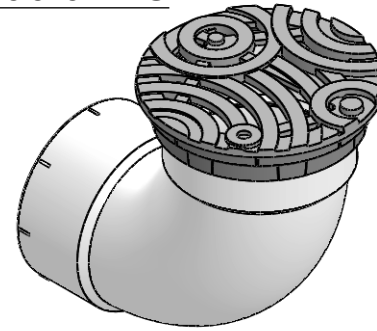
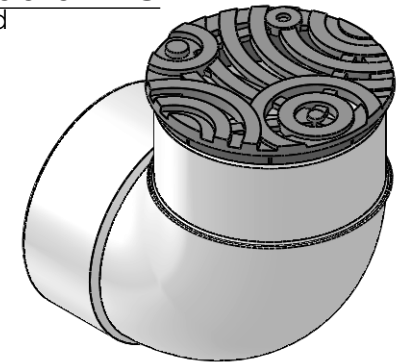
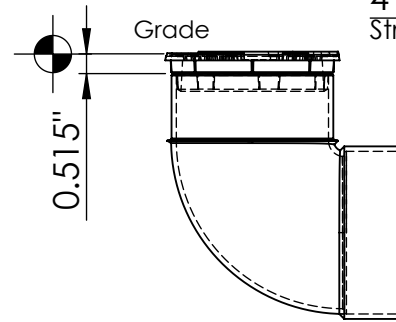


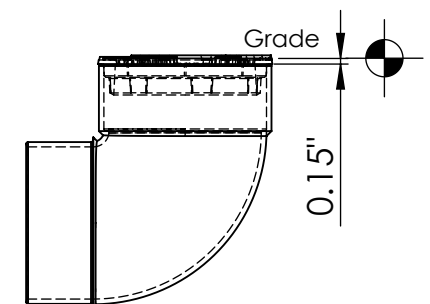
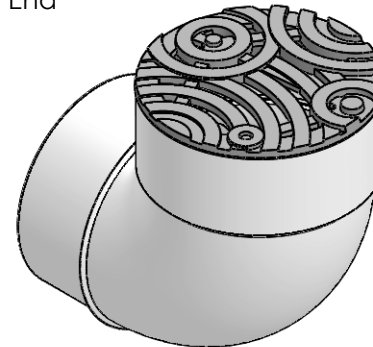
**3" Standard PVC**  
Bell End



**4" Standard PVC**  
Street End



**4" Standard PVC**  
Bell End



**NOTES:**

1. Material: cast iron
2. Baked on Oil finish
3. Fits SDR Pipe; 3" O.D. Bell End; 4" I.D.; 4" I.D. Bell End
4. Heelproof; No openings greater than 1/4"
5. Weight approx. 1 lb
6. Due to casting inconsistencies all dimensions are nominal



**IRON AGE**  
DESIGNS



(317) 346-4110  
www.drainagesolutionsinc.com

Oblio 4" dia pipe cover

JOB NO. ...  
DWG. NO. OBL.4in\_pipe

Drawn by: JH  
Date: 6/21/13  
Scale: NTS