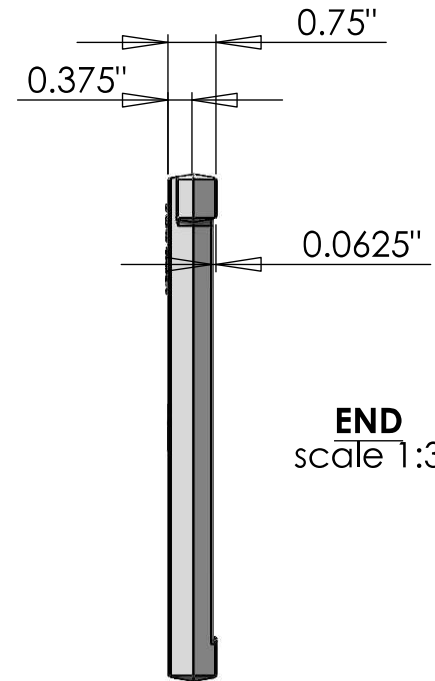
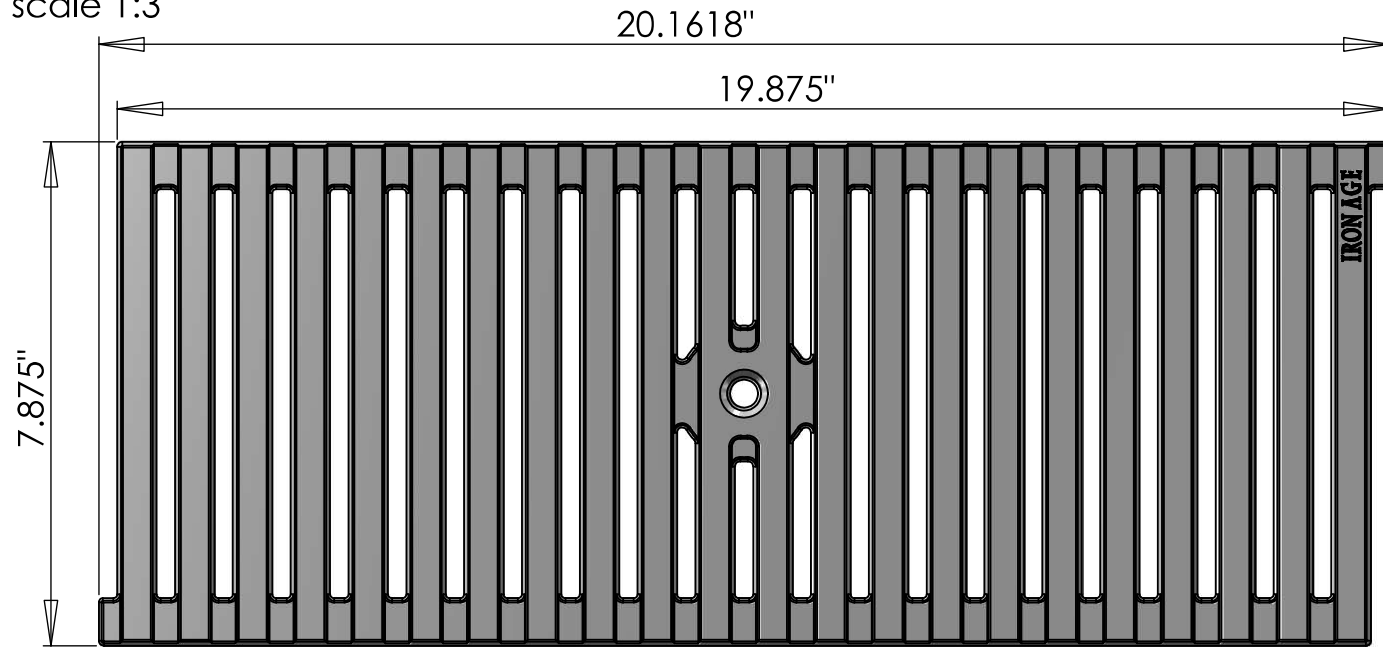


TOP
scale 1:3

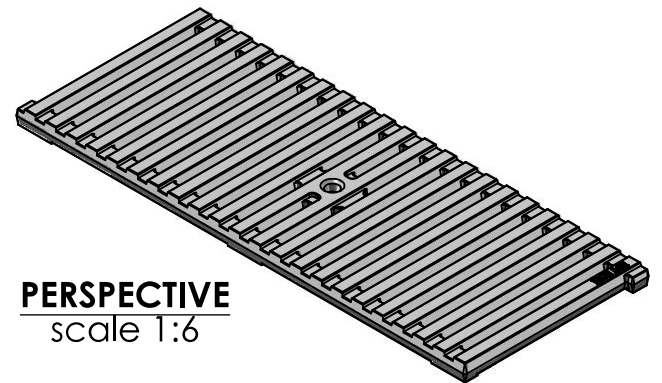
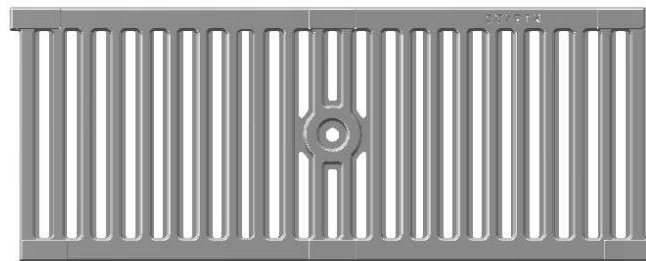


END
scale 1:3



EDGE
scale 1:3

BACK
scale 1:6



PERSPECTIVE
scale 1:6



IRON AGE
DESIGNS



(317) 346
www.drainagesolutionsinc.com

Regular Joe 8"x20" Trench Grate

JOB NO.
DWG. NO. 001-JOE.C.8x20

Drawn by: JH
Date: 02/21/13
Scale: NTS

NOTES:

1. Material: cast iron
2. Finish: Natural
3. Total Thickness: 3/4"
4. No openings greater than: 1/2"
5. Trench manufactured to fit: NDS® 8" Pro Series
6. Due to casting inconsistencies all dimensions are nominal

© 2013 Iron Age Designs