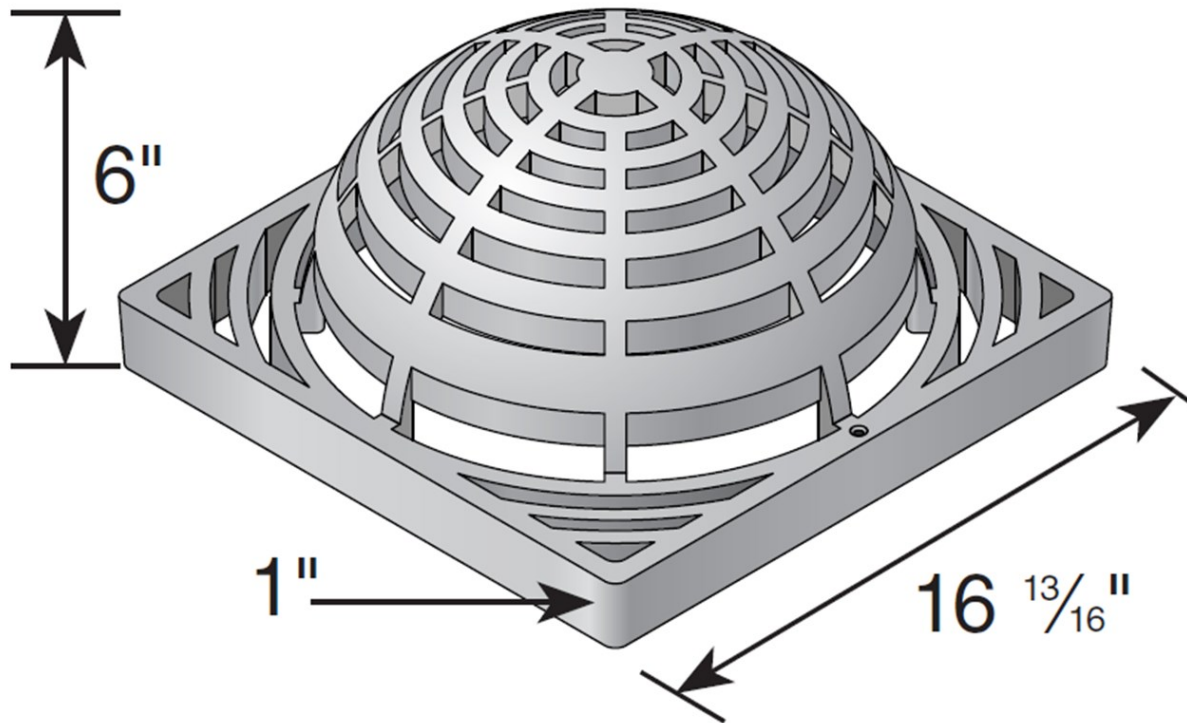


## 18" x 18" Atrium Grate



$\frac{1}{2}$ " Grate Opening

Part #: 1881 and 1891

Material: (HDP) High Density Polypropylene

Color: #1881 (Black) and #1891 (Green)

Fits: Catch Basin #1882, #1884, #1800, #1804, #1816, #1830 and #1840.

Grate Opening:  $\frac{1}{2}$ "

Open Surface Area: 89.40 Sq. Inches

Head Pressure / Flow Rate:

Head ( inches) - Max Flow

1" = 386.77 GPM

$\frac{1}{2}$ " = 273.49 GPM

UV inhibitor.

Weight Per Each: 6.5 lbs.