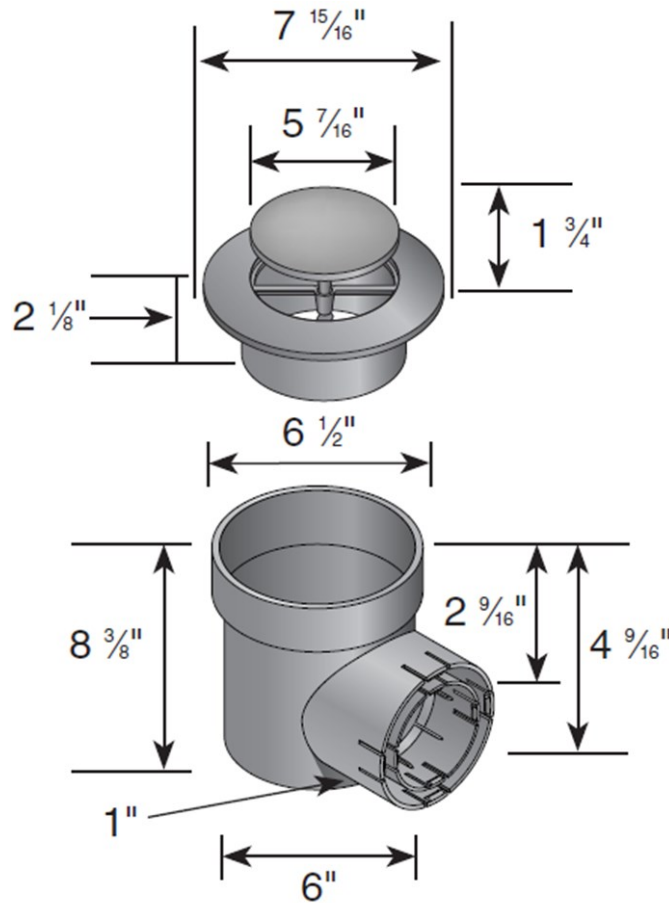


6" Pop Up Emitter with 6" Basin



Part #: 625 - Center Spring Loaded
 Material: High Density Polypropylene (HDPE)
 Colors: Pop Up (Green) Basin (Black)
 Fits: 3" and 4" sewer, drain, triple wall, corrugated and sch. 40 pipe
 Spring: Stainless Steel Grade 302
 Opening Pressure: 1 PSI
 Open Surface Area: 28.8 Sq. Inches
 Flow Rate
 1" Head: 124.60 GPM
 0.5" Head: 88.10 GPM
 Basin: 6" NDS Spee-D Basin
 Weight Per Each: 2.14 lbs.
 UV inhibitor

Load Recommendation Guide



Class A

- Loads of 1-60 psi.
- Recommended for pedestrians, bicycles and wheel chair traffic.