

Installation

1. Standard Installation

Excavate a trench to accommodate the channel and bedding concrete. Erect a string line at each end of the drain run as a guide for laying the channels to the required level. Begin channel installation at the evacuation or discharge end of the run where the outlet or outlets are located.

Install channel end-to-end PVC cementing sections together. Design bottom or end outlets into the channel run in the appropriate location and glue to the drain pipe or fittings. PVC cement end caps where appropriate.

Using either NDS stakes, 1/2" or 5/8" rebar or wood stakes, anchor channel to the trench bed every 24" on each side of channel. Backfill with either concrete, sand, or soil depending on the application. Pour slab to grade and finish concrete.

Figure 1A illustrates a light vehicular installation in which a concrete base may not be required. Compacted soil and a 1" sand base may be used in place of concrete.

Figure 1B illustrates a concrete base underneath the channel recommended for heavy load applications or freeze/thaw zones where heaving may be a problem.

2. Suspended Installation

Suspended installation is ideal for retrofit installations with an existing concrete slab or new construction where forms can be used to suspend the channels. Prepare the trench excavation. Using 2" x 4" boards span the width of the trench and bolt the channel grates to the boards. Pour and compact concrete under and around the channels. Finish to the proper grade. Figure 2

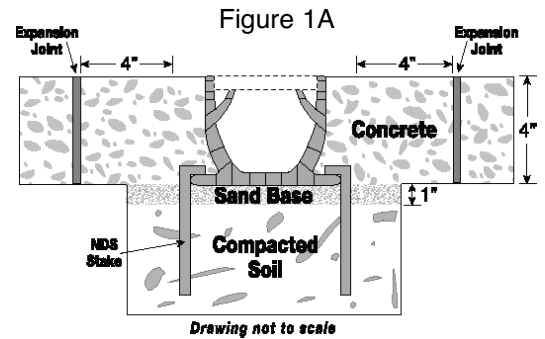
3. Slurry Installation

This installation may be used in lieu of the standard installation. Prepare the trench excavation and pull a stringline to the proper elevation. Pour a slurry of concrete in the trench to a depth that will insure at least 4" of concrete underneath the channels. Lay the channels in the bedding slurry. Check the channel alignment and grade again. After the slurry sets, concrete can be poured around the channel and finished to the proper grade. Figure 3

Important Installation Notes:

1. Refer to load classification chart for proper application.
2. PVC primer and medium body fast set PVC solvent cement must be used to cement all components.
3. Grate must be installed prior to pouring concrete or backfill.
4. Grates should be taped prior to pouring concrete to prevent debris from entering channel during installation.
5. **Grate should be recessed 1/8" below finish grade in non traffic applications. Grate should be recessed 1/4" in traffic applications.**
6. In asphalt or hot mastic applications, the channels must be encased in concrete for strength and to prevent distortion of the channel.
7. Expansion joints must be provided parallel, but not immediately adjacent to each side of the drain run and crack control joints utilized at right angles to the channel for installation in concrete.
8. Grate must be installed and screwed down on channel at all times except for cleaning.

Mini and Spee-D® Channel Only



Mini, Spee-D® and Pro Series Channel

