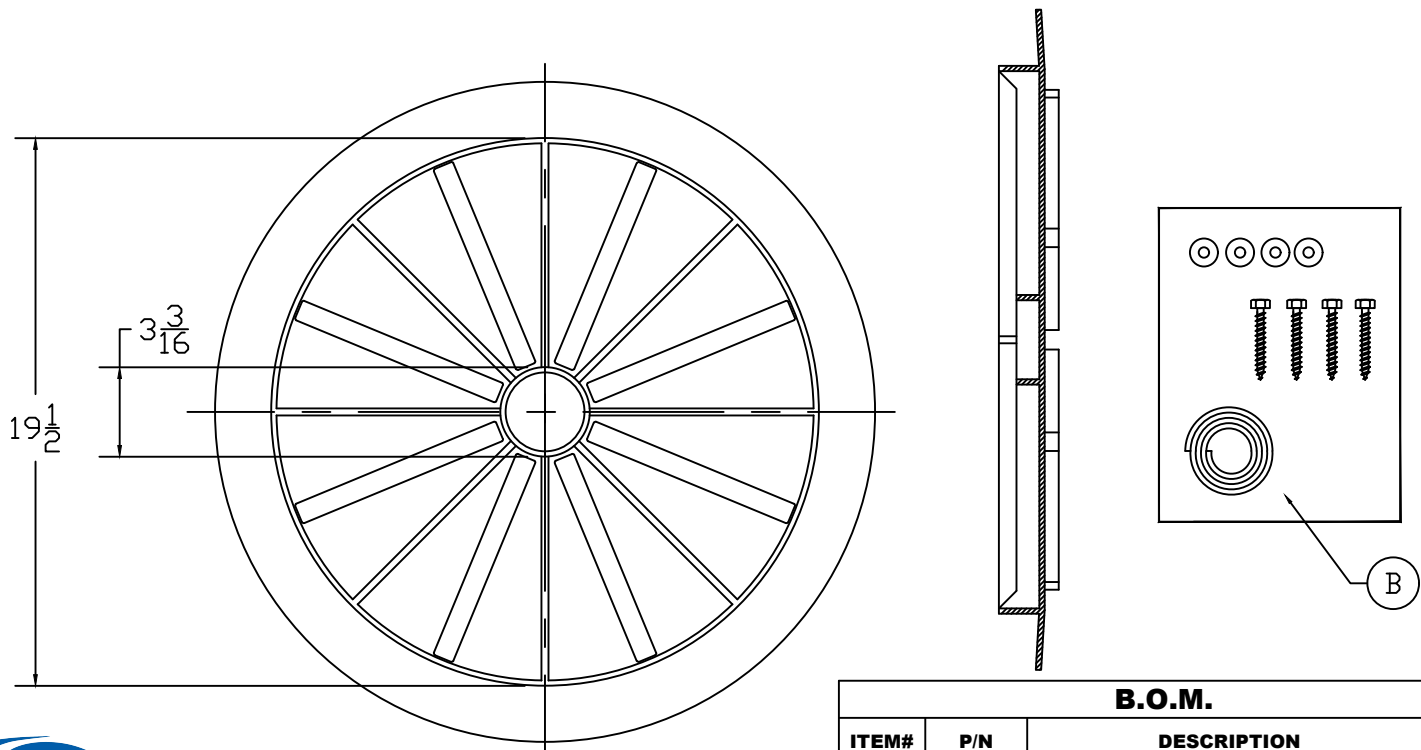
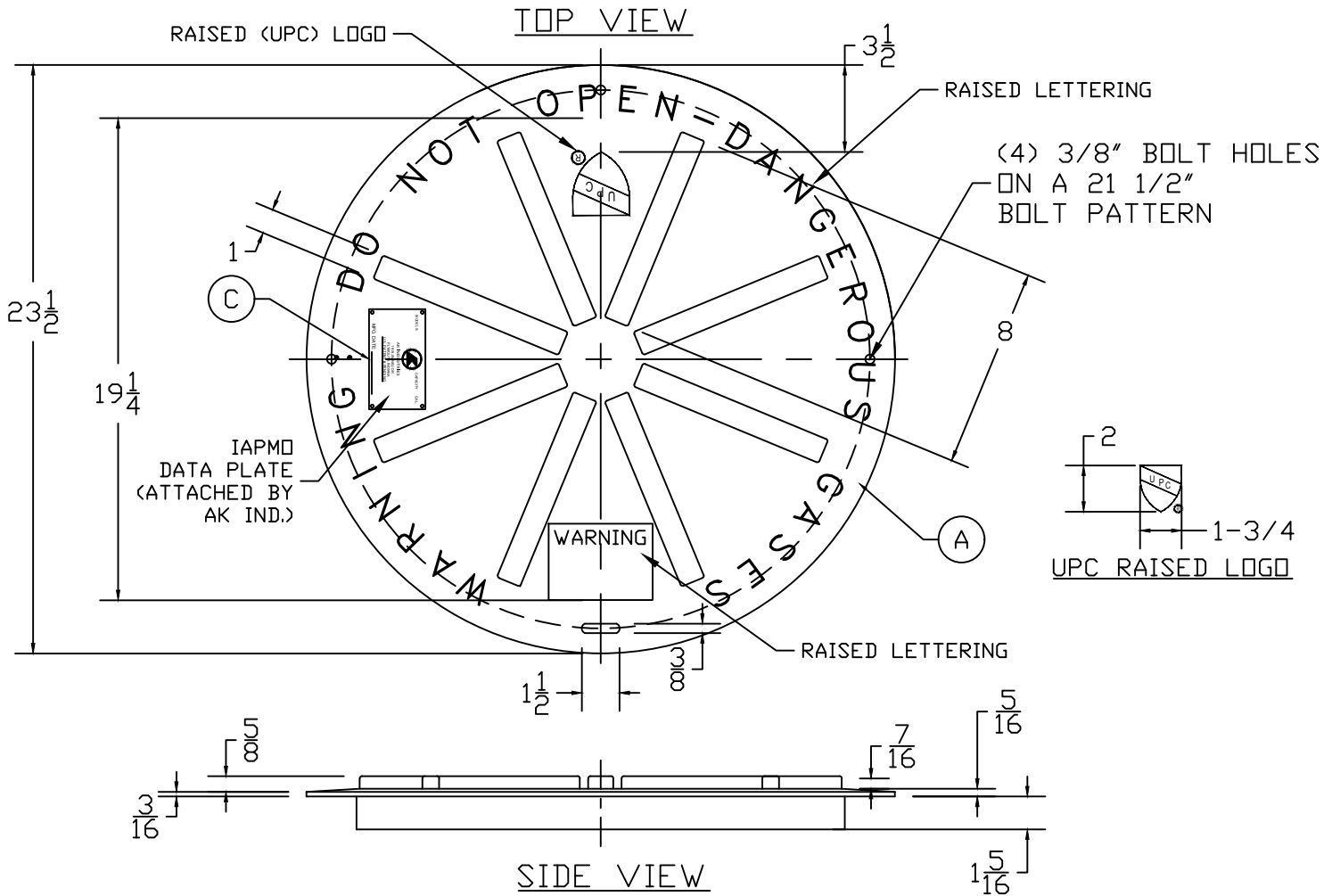


THIS DRAWING IS THE SOLE PROPERTY OF AK INDUSTRIES INC.



B.O.M.			
ITEM#	P/N	DESCRIPTION	QTY.
A	AKR30190	COVER, 20" SEPTIC LID	1
B	AKS10030	GASKET PACK, 20" LID	1
C	---	DATA PLATE	1



AK INDUSTRIES INC. 1111 S.W. 11th St. Ft. Lauderdale, FL 33304