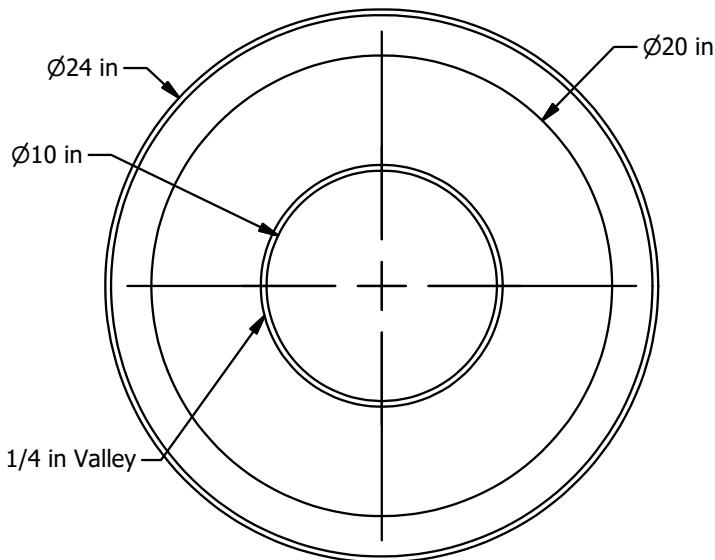
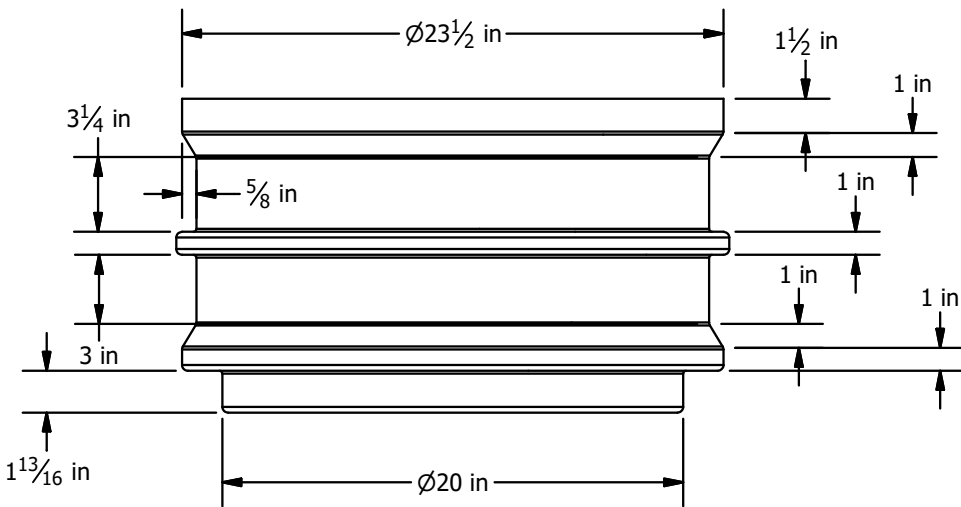
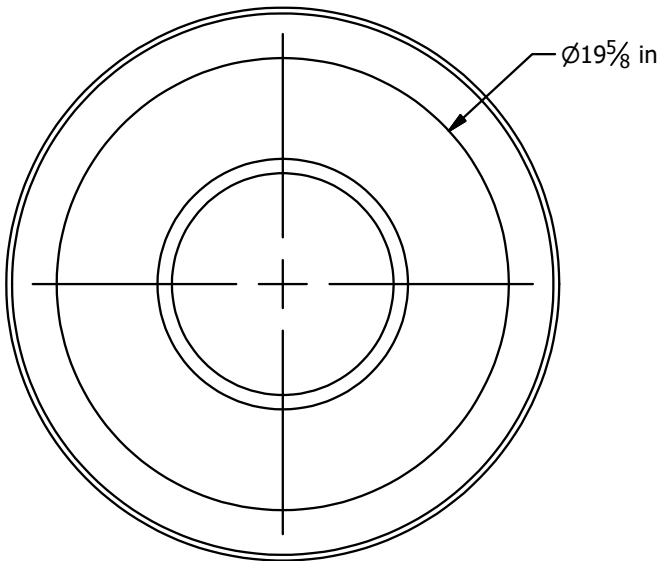


**Note: This is a Part Print.
(Not a Mold Print)**



THIS DRAWING IS THE SOLE PROPERTY OF AK/HA MANUFACTURING LLC



AK/HA MANUFACTURING LLC
11155 SW Washington Ave, U.S.A.

DRAWN BY
TCT

MATERIAL
Polypropylene

TOLERANCE
+/- 0.25 UNLESS SPECIFIED OTHERWISE

SIGNATURE