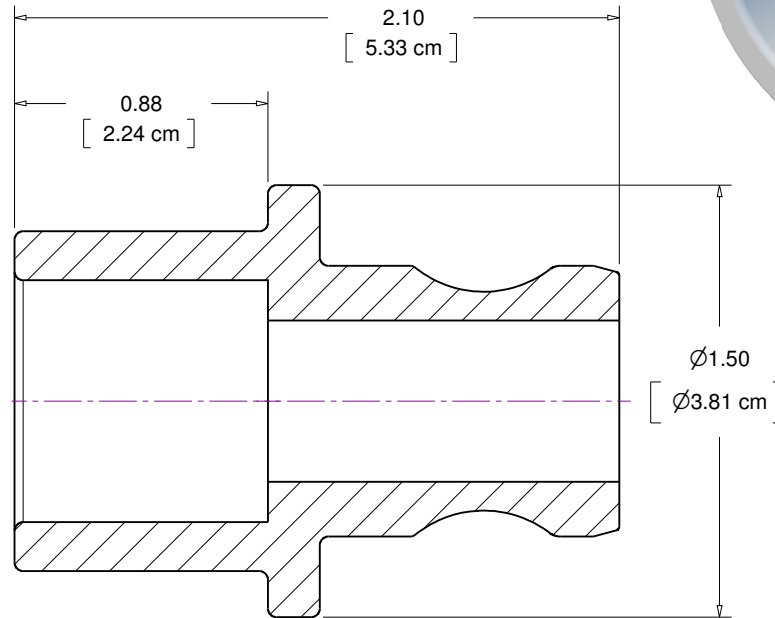
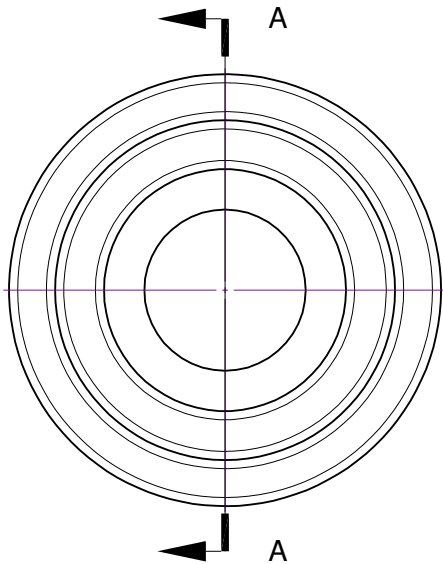
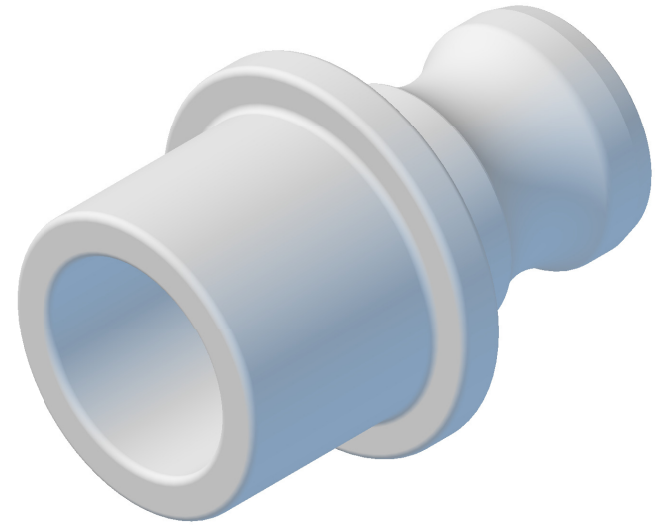




(317)346-4110
www.drainagesolutionsinc.com



Section A-A

BEE VALVE, INC			
TITLE/DESC X STYLE CAM ADAPTER			
MATERIAL PVC		REV	
THIS DOCUMENT CONTAINS PROPRIETARY INFORMATION AND MAY NOT BE DISCLOSED TO OTHERS FOR ANY PURPOSE, NOR USED FOR MANUFACTURING PURPOSES WITHOUT THE WRITTEN PERMISSION OF BEE VALVE INC	DATE 04/18/16	PART NO 050-X	REV